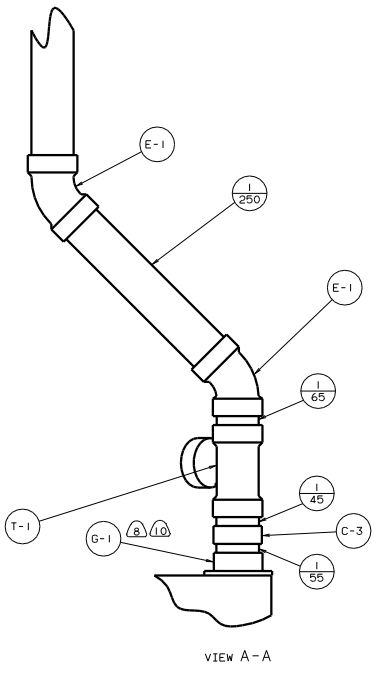


- (1) CLEAN AND APPLY ADHESIVE PROMOTER 872111-01-000 TO BOTH SURFACES AND BOND WITH TAPE.
- (10) SECURE VENT TUBES TO FLOOR.
- (9) VENT PIPE MUST PROJECT 51 MM MIN AND 63.5 MM MAX ABOVE ROOF FOR PROPER FIT AND FUNCTION.
- (8) SEE DWG 61607-01-000 FOR INSTL OF GROMMET.
- (7) SEAL ALL AROUND SHOWER WITH SILICONE 78474-01-CHT.
- 6. FOR CAN UNITS EACH HOLDING TANK SHALL HAVE A CSA APPROVAL STAMPED NEAR THE IAMPO APPROVAL.
- 5. EXPOSED PIPE ABOVE ROOF TO BE PAINTED 37163-01-000.
- 4. ALL EXTERIOR OPENINGS AROUND PIPE TO BE SEALED.
- 3. ALL PIPE AND FITTINGS TO BE ASSEMBLED WITH SOLVENT 4020-01-000.
- 2. SLOPE OF TRAP ARM MUST BE 6 PER 305.
- 1. SLOPE OF HORIZONTAL PIPING TO BE 6 PER 305 MIN.

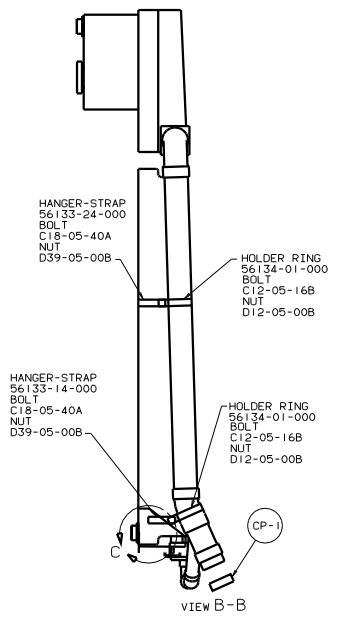
- (14) TRIM P-TRAP EXTENSION TO FIT.
- (13) USE WITHOUT SURROUND.
- (12) USE WITH SURROUND.



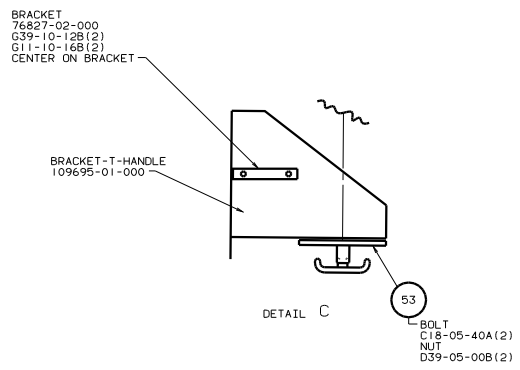
		97 3290	
		DATE	UNSPECIFIED TOLERANCES ARE:
DATE	WHOLE DIM (R)	1:15	MATERIAL
DATE	ONE-PLACE (R, .01)	1:1	
DATE	TWO-PLACE (R, .001)	1:1	
DATE	THREE-PLACE (R, .0001)	1:1	
DATE	FOUR-PLACE (R, .00001)	1:1	
DATE	ANGLES	1:1	
DATE	INDIC. WHOLE PROJECTION	1:1	
DATE	INDIC. DIMENSIONS	1:1	
DATE	INDIC. DIMENSIONS	1:1	
DATE	INDIC. DIMENSIONS	1:1	



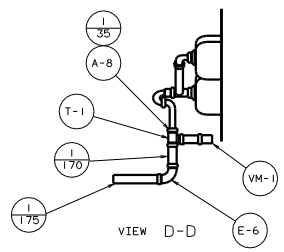
VIEW A-A



VIEW B-B



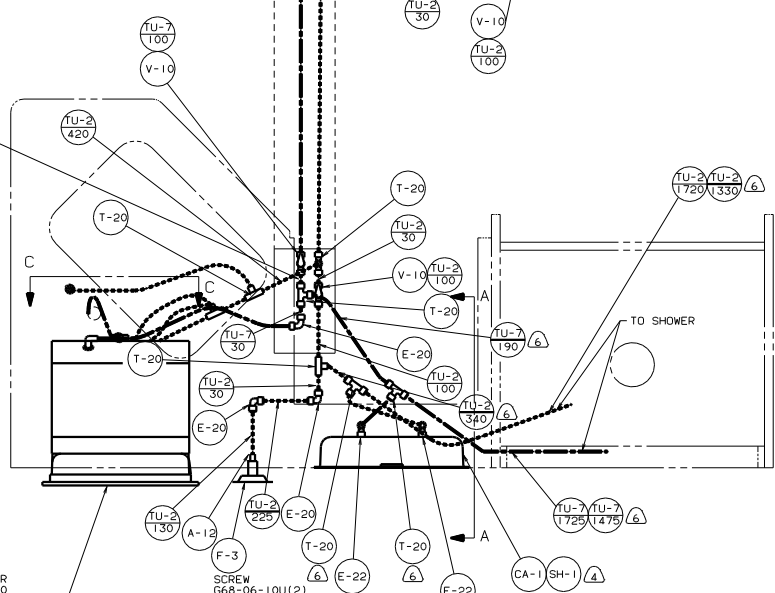
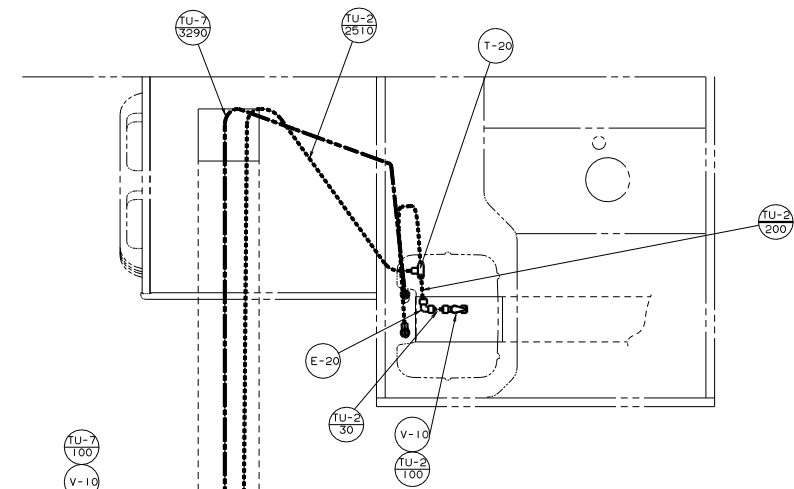
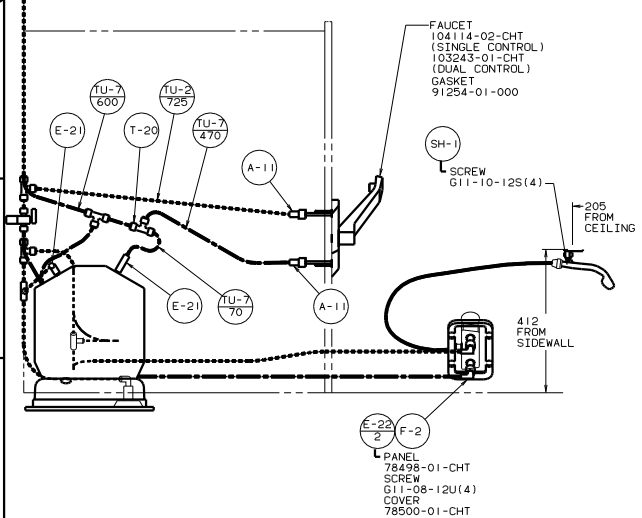
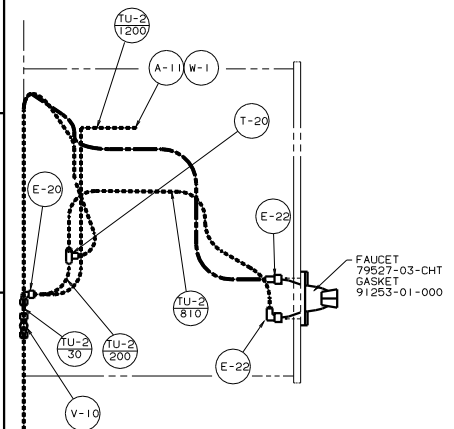
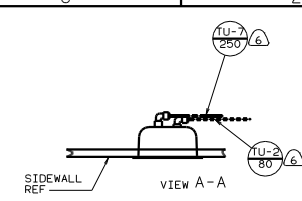
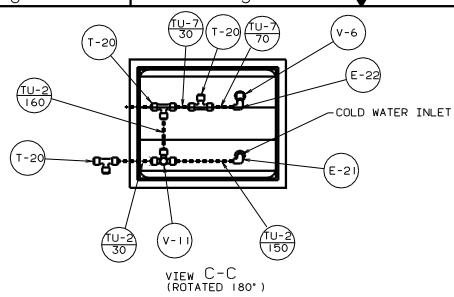
DETAIL C



VIEW D-D

97 329R0

TITLE: DRAINAGE SYSTEM INSTL		Doc No	121610
30 THE BUCK GROUP	SHEET 2 of 2	1/E	



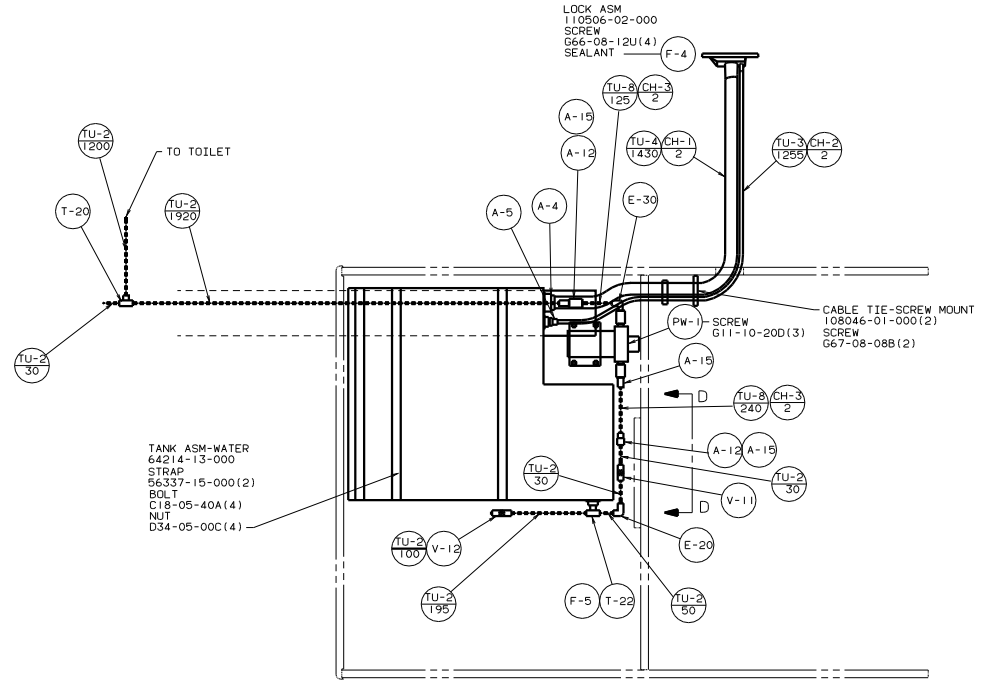
WATER HEATER  
 51391-03-000  
 DOOR  
 78606-01-CHT  
 AL EXTR  
 2726-01-210  
 2726-01-212(2)  
 SCREW  
 G39-10-169(18)  
 SEALANT

LEGEND	
HOT	—————
COLD	-----

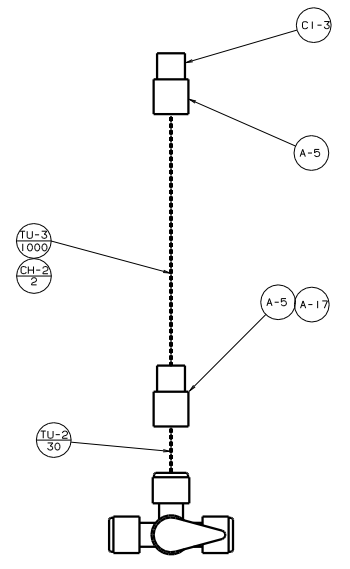
X-X FOR WATER CALLOUTS SEE DWG NO. 116230-01-000

- ⑦ USE WITHOUT EXTERIOR SHOWER.
  - ⑥ USE WITH EXTERIOR SHOWER.
  - ⑤ USE STAPLE 8402-01-000 TO ATTACH TO SIDEWALL.
  - ④ CAPSEAL SEE SEALANT MANUAL.
3. ALL TUBING TO BE SECURED AT 1200 INTERVALS MAX WITH CLAMP 10495-01-000 OR CLIP 91951-01-000 AND SCREW G67-10-12B.
2. TUBING TO BE INSTALLED WITH SUFFICIENT SLOPE TO PROVIDE DRAINAGE TO NEAREST VALVE.
1. PLASTIC FITTINGS TO BE SEALED WITH SEALANT 84456-01-000.

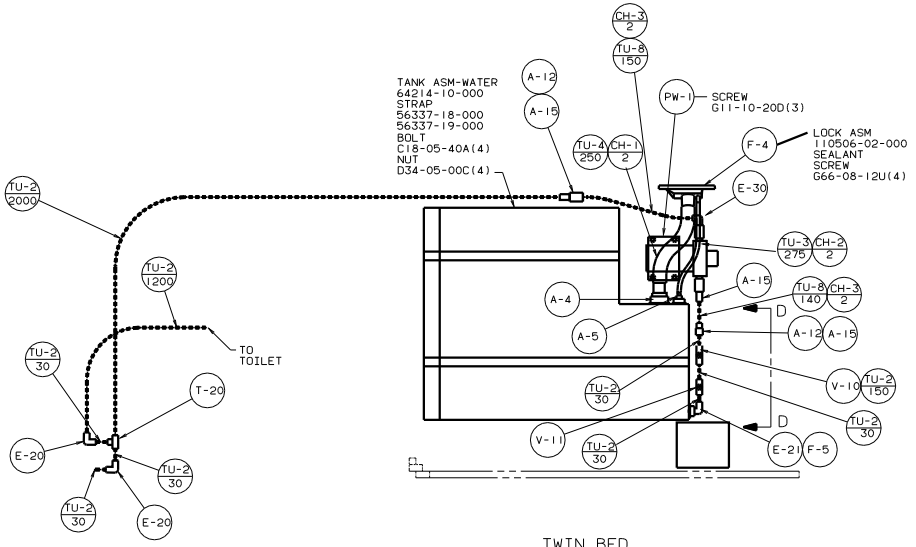
<b>WINNEBAGO</b>		97 3290
DATE	UNDESIGNED TOLERANCES ARE:	MATERIAL
DATE	WHOLE DIM (IN)	F
DATE	ONE-PLACE (IN)	F
DATE	TWO-PLACE (IN)	F
DATE	THREE-PLACE (IN)	F
DATE	FOUR-PLACE (IN)	F
DATE	FIVE-PLACE (IN)	F
DATE	SIX-PLACE (IN)	F
DATE	SEVEN-PLACE (IN)	F
DATE	EIGHT-PLACE (IN)	F
DATE	NINE-PLACE (IN)	F
DATE	TEN-PLACE (IN)	F
DATE	ELEVEN-PLACE (IN)	F
DATE	TWELVE-PLACE (IN)	F
DATE	THIRTY-PLACE (IN)	F
DATE	THIRTY-TWO-PLACE (IN)	F
DATE	THIRTY-THREE-PLACE (IN)	F
DATE	THIRTY-FOUR-PLACE (IN)	F
DATE	THIRTY-FIVE-PLACE (IN)	F
DATE	THIRTY-SIX-PLACE (IN)	F
DATE	THIRTY-SEVEN-PLACE (IN)	F
DATE	THIRTY-EIGHT-PLACE (IN)	F
DATE	THIRTY-NINE-PLACE (IN)	F
DATE	FOURTY-PLACE (IN)	F
DATE	FOURTY-ONE-PLACE (IN)	F
DATE	FOURTY-TWO-PLACE (IN)	F
DATE	FOURTY-THREE-PLACE (IN)	F
DATE	FOURTY-FOUR-PLACE (IN)	F
DATE	FOURTY-FIVE-PLACE (IN)	F
DATE	FOURTY-SIX-PLACE (IN)	F
DATE	FOURTY-SEVEN-PLACE (IN)	F
DATE	FOURTY-EIGHT-PLACE (IN)	F
DATE	FOURTY-NINE-PLACE (IN)	F
DATE	FIFTY-PLACE (IN)	F
DATE	FIFTY-ONE-PLACE (IN)	F
DATE	FIFTY-TWO-PLACE (IN)	F
DATE	FIFTY-THREE-PLACE (IN)	F
DATE	FIFTY-FOUR-PLACE (IN)	F
DATE	FIFTY-FIVE-PLACE (IN)	F
DATE	FIFTY-SIX-PLACE (IN)	F
DATE	FIFTY-SEVEN-PLACE (IN)	F
DATE	FIFTY-EIGHT-PLACE (IN)	F
DATE	FIFTY-NINE-PLACE (IN)	F
DATE	SIXTY-PLACE (IN)	F
DATE	SIXTY-ONE-PLACE (IN)	F
DATE	SIXTY-TWO-PLACE (IN)	F
DATE	SIXTY-THREE-PLACE (IN)	F
DATE	SIXTY-FOUR-PLACE (IN)	F
DATE	SIXTY-FIVE-PLACE (IN)	F
DATE	SIXTY-SIX-PLACE (IN)	F
DATE	SIXTY-SEVEN-PLACE (IN)	F
DATE	SIXTY-EIGHT-PLACE (IN)	F
DATE	SIXTY-NINE-PLACE (IN)	F
DATE	SEVENTY-PLACE (IN)	F
DATE	SEVENTY-ONE-PLACE (IN)	F
DATE	SEVENTY-TWO-PLACE (IN)	F
DATE	SEVENTY-THREE-PLACE (IN)	F
DATE	SEVENTY-FOUR-PLACE (IN)	F
DATE	SEVENTY-FIVE-PLACE (IN)	F
DATE	SEVENTY-SIX-PLACE (IN)	F
DATE	SEVENTY-SEVEN-PLACE (IN)	F
DATE	SEVENTY-EIGHT-PLACE (IN)	F
DATE	SEVENTY-NINE-PLACE (IN)	F
DATE	EIGHTY-PLACE (IN)	F
DATE	EIGHTY-ONE-PLACE (IN)	F
DATE	EIGHTY-TWO-PLACE (IN)	F
DATE	EIGHTY-THREE-PLACE (IN)	F
DATE	EIGHTY-FOUR-PLACE (IN)	F
DATE	EIGHTY-FIVE-PLACE (IN)	F
DATE	EIGHTY-SIX-PLACE (IN)	F
DATE	EIGHTY-SEVEN-PLACE (IN)	F
DATE	EIGHTY-EIGHT-PLACE (IN)	F
DATE	EIGHTY-NINE-PLACE (IN)	F
DATE	NINETY-PLACE (IN)	F
DATE	NINETY-ONE-PLACE (IN)	F
DATE	NINETY-TWO-PLACE (IN)	F
DATE	NINETY-THREE-PLACE (IN)	F
DATE	NINETY-FOUR-PLACE (IN)	F
DATE	NINETY-FIVE-PLACE (IN)	F
DATE	NINETY-SIX-PLACE (IN)	F
DATE	NINETY-SEVEN-PLACE (IN)	F
DATE	NINETY-EIGHT-PLACE (IN)	F
DATE	NINETY-NINE-PLACE (IN)	F
DATE	HUNDRED-PLACE (IN)	F



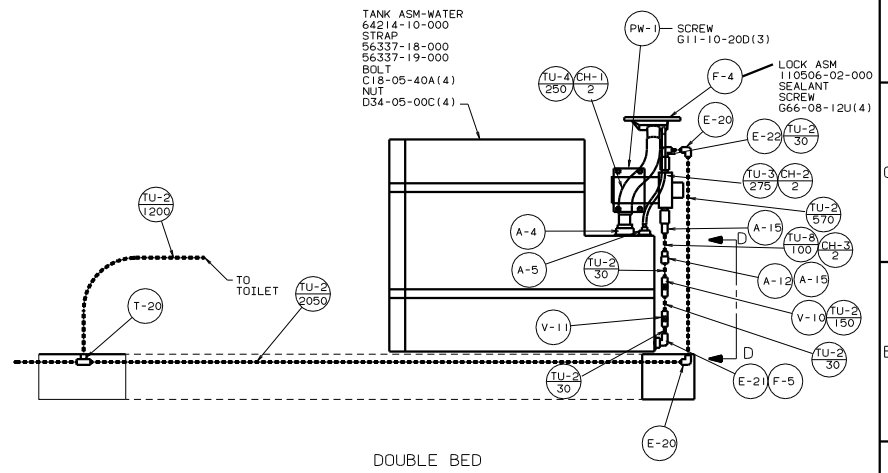
QUEEN BED



VIEW D-D



TWIN BED



DOUBLE BED