

WATER HEATER
 51391-03-000
 DOOR
 78506-01-CHT
 EXTRA
 2726-01-210
 2726-01-212(2)
 SCREW
 G39-10-209(18)
 SEALANT

SCREW
 G68-06-10U(2)
 SEALANT

FAUCET
 103243-01-000
 (DBL CONTROL)
 104114-01-CHT
 COVER
 104114-01-CHT
 (SGL CONTROL)

EXTRA
 2754-51-005(2)
 SCREW
 G39-087-12B(4)

FAUCET
 79527-03-CHT

FAUCET-SHOWER
 79563-03-CHT
 PANEL
 78498-01-CHT
 SCREW
 G11-08-12B (4)
 COVER
 78500-01-CHT (4)

SCREW
 G11-10-125 (4)

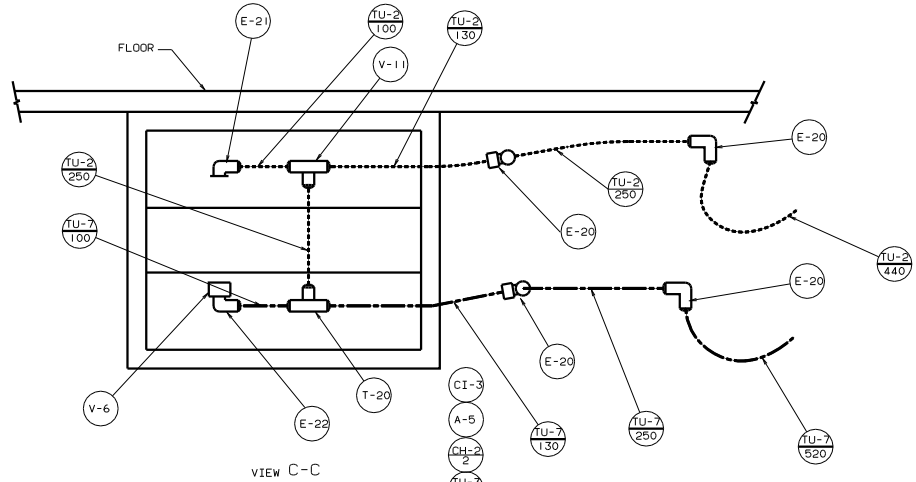
- 5. USE STAPLE 8402-01-000 TO ATTACH TO SIDEWALL.
- ④ CAP SEAL. SEE SEALANT MANUAL.
- 3. ALL TUBING TO BE SECURED AT 1200 INTERVALS MAX WITH CLAMP 10495-01-000 OR CLIP 91951-01-000 AND SCREW G67-10-12B.
- 2. TUBING TO BE INSTALLED WITH SUFFICIENT SLOPE TO PROVIDE DRAINAGE TO NEAREST VALVE.
- 1. PLASTIC FITTINGS TO BE SEALED WITH SEALANT 84456-01-000.

- ⑦ USE WITHOUT EXTERIOR SHOWER.
- ⑧ USE WITH EXTERIOR SHOWER.

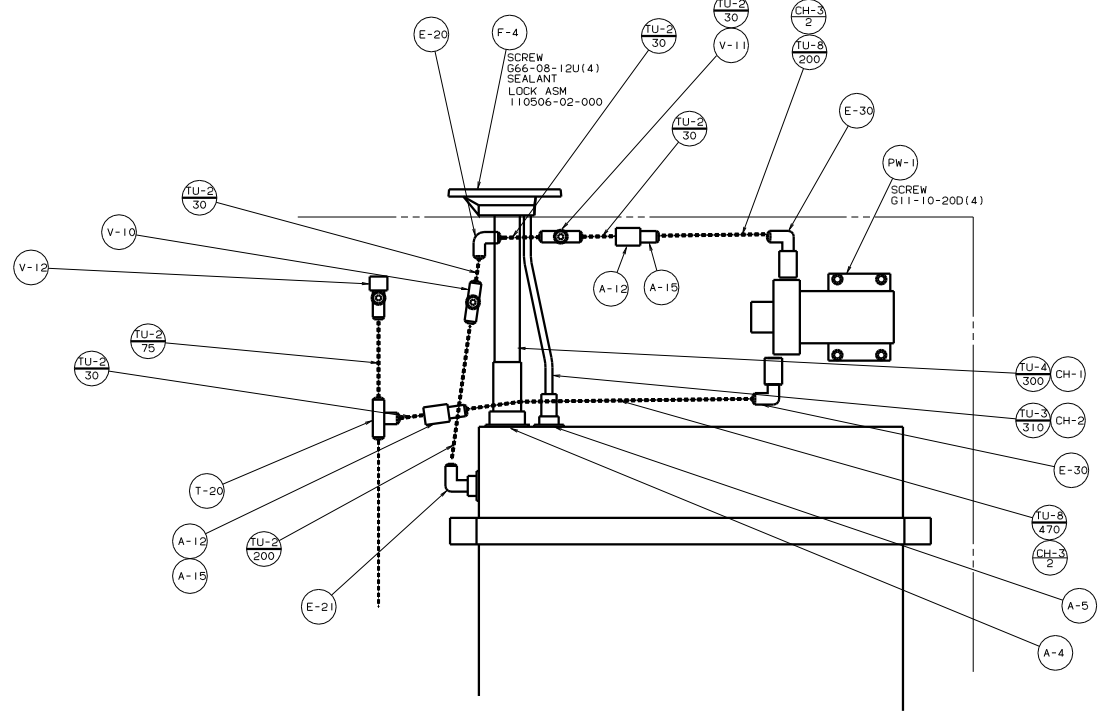
X-X FOR WATER CALLOUTS SEE DWG NO. 116230-01-000

LEGEND	
HOT	—————
COLD	—————

WINNEBAGO 97 32TRC			
OPTN B-WATER	DATE 7/27/98	UNSPECIFIED TOLERANCES ARE:	MATERIAL
CHOP M-LEW	DATE 7/28/98	WHOLE DIM (IN)	F
DFE T-FALL	DATE 7/28/98	ONE-PLACE (IN.XX)	.
D/E L-LAYRICK	DATE 7/28/98	TWO-PLACE (IN.XXX)	.
COMB B-WATER	DATE 7/28/98	THIRD-PLACE (IN.XXXX)	.
LAYOUT		TITLE	
REV 0		SCALE 0:1	
ALL DIMENSIONS ARE IN MILLIMETERS		SHEET 1 OF 2	
WATER SYSTEM INSTL		124353	



VIEW C-C



DETAIL A