

SINK-SST.DOUBLE
 104113-01-000
 STRAINER W/BASKET-SINK
 92303-01-000(2)
 ANGLE-SINK_RETAINER
 105497-01-000(2)
 105497-02-000(4)
 SCREW
 G67-06-100(22)
 SEALER
 69640-01-000

EXTR-TUBE
 69959-51-004(2) (550) (14)
 EXTR-TUBE
 69959-51-003(2) (550) (15)

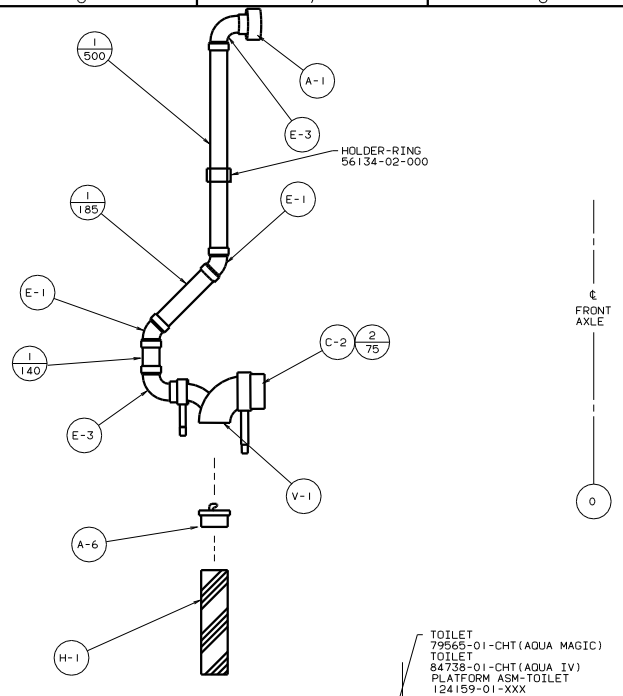
SHOWER INSTL-ENCLOSURE (1)
 105628-01-000
 SHOWER PAN
 101435-01-CHT (REF ONLY)
 STRAINER-TUB,SHOWER DRAIN
 66799-01-000
 WASHER-TAILPIECE
 69735-01-000
 SEALER
 60640-01-000
 PLATFORM ASM-SHOWER
 107028-01-XXX

TOILET
 79565-01-CHT(AQUA MAGIC)
 TOILET
 84738-01-CHT(AQUA IV)
 PLATFORM ASM-TOILET
 124159-01-XXX

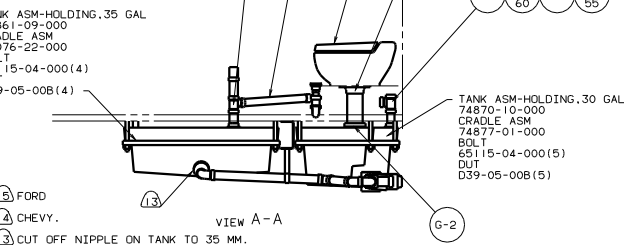
TANK ASM-HOLDING,35 GAL
 74861-09-000
 CRADLE ASM
 56076-22-000
 BOLT
 65115-04-000(4)
 NUT
 D39-05-00B(4)

TANK ASM-HOLDING,30 GAL
 74870-10-000
 CRADLE ASM
 74877-01-000
 BOLT
 65115-04-000(5)
 DUT
 D39-05-00B(5)

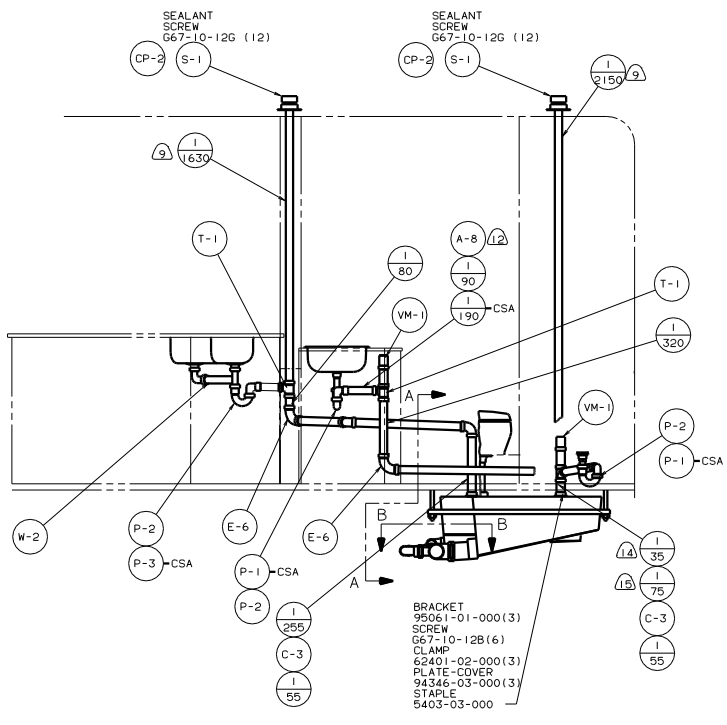
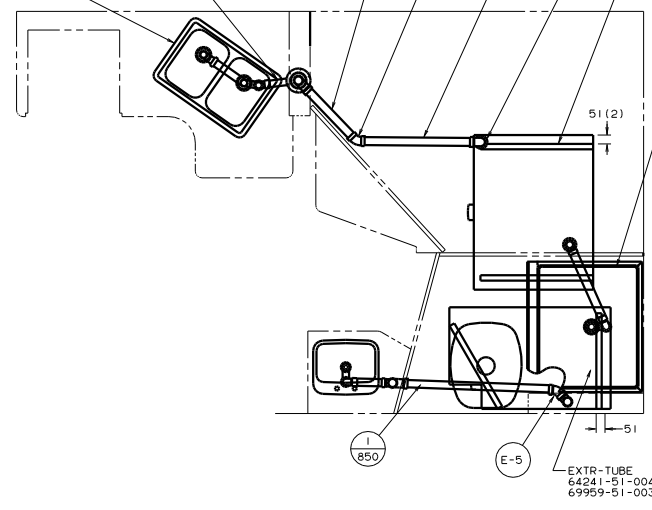
BRACKET
 95061-01-000(3)
 SCREW
 G67-10-12B(6)
 CLAMP
 62401-02-000(3)
 PLATE-COVER
 94346-03-000(3)
 STAPLE
 5403-03-000



VIEW B-B



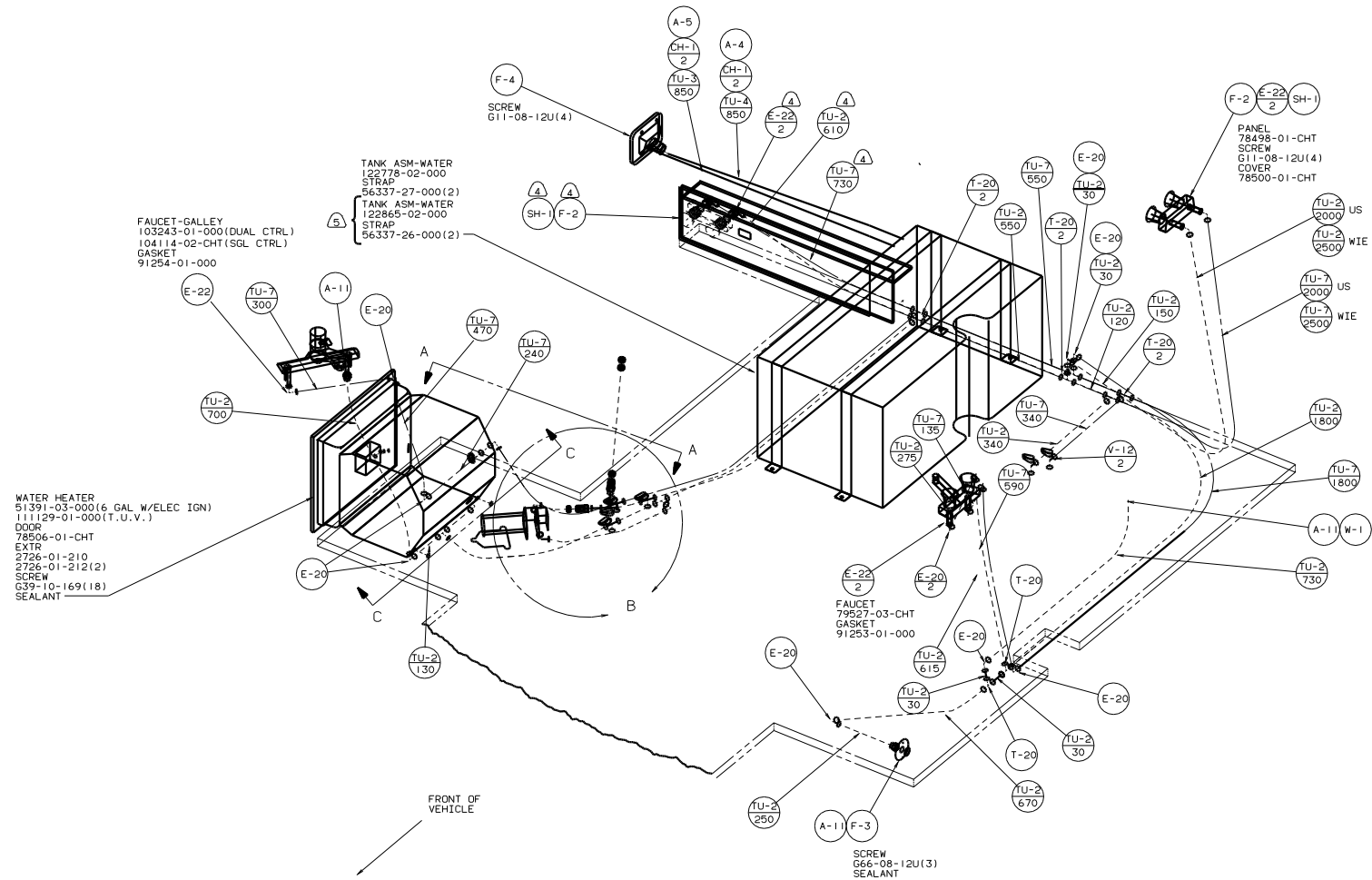
VIEW A-A



- (15) FORD
- (14) CHEVY.
- (13) CUT OFF NIPPLE ON TANK TO 35 MM.
- (12) NOT USED ON CANADIAN UNITS.
- 11 USE WITH EXPORT UPGRADE PACKAGE.
- 10 SECURE VENT TUBES TO FLOOR WITH BRACKET 95061-01-000(2), CLAMP 62401-02-000, PLATE COVER 94346-03-000, SCREW G67-10-12B(2), AND STAPLE 5403-01-000.
- (9) VENT PIPE MUST PROJECT 51 MM MIN AND 63.5 MM MAX ABOVE ROOF FOR PROPER FIT AND FUNCTION.
- 8. SEE DWG 61607-01-000 FOR INSTL OF GROMMETS.
- 7. SEAL ALL AROUND SHOWER WITH SILICONE.
- 6. FOR CAN UNITS EACH HOLDING TANK SHALL HAVE A CSA APPROVAL STAMPED NEAR THE IAMPO APPROVAL.
- 5. EXPOSED PIPE ABOVE ROOF TO BE PAINTED 37163-01-000.
- 4. ALL EXTERIOR OPENINGS AROUND PIPE TO BE SEALED WITH 110744-01-000.
- 3. ALL PIPE AND FITTINGS TO BE ASSEMBLED WITH SOLVENT 4020-01-000.
- 2. SLOPE OF TRAP ARM MUST BE 6 PER 305.
- 1. SLOPE OF HORIZONTAL PIPING TO BE 6 PER 305 MIN.

FOR DRAINAGE CALLOUTS SEE DWG NO. 116229-01-000

OF IT		DATE	UNDESIGNED TOLERANCES ARE	MATERIAL
CHP	DATE	WHOLE OR 1/2	1/8	
PIE	DATE	ONE-PLACE (1/32)		
D/E	DATE	TWO-PLACE (1/64)		
DATE	DATE	MIG		
DATE	DATE	INDU W/AVE		
DATE	DATE	PROJECTION		
LAYOUT NO. 324RC7		TITLE: DRAINAGE SYSTEM INSTL		97 324RC
REV #	SCALE	NOTE	DO NOT SCALE DRAWING	DRG NO. 122500
ALL DIMENSIONS ARE IN MILLIMETERS		SHEET 1 OF 1	1 E	NO



FAUCET-GALLEY
 103243-01-000 (DUAL CTRL)
 104114-02-CHT (SGL CTRL)
 GASKET
 91254-01-000

TANK ASM-WATER
 122778-02-000
 STRAP
 96537-27-000 (2)

TANK ASM-WATER
 122865-02-000
 STRAP
 96537-26-000 (2)

WATER HEATER
 51391-03-000 (6 GAL W/ELEC IGN)
 111129-01-000 (T.U.V.)
 DOOR
 78506-01-CHT
 EXTR
 2726-01-210
 2726-01-212 (2)
 SCREW
 639-10-169 (18)
 SEALANT

FAUCET
 79527-03-CHT
 GASKET
 91253-01-000

PANEL
 78498-01-CHT
 SCREW
 G11-08-12U (4)
 COVER
 78500-01-CHT

SCREW
 666-08-12U (3)
 SEALANT

- NOTES:
1. PLASTIC FITTINGS TO BE SEALED WITH SEALANT 84456-01-000.
 2. TUBING TO BE INSTALLED WITH SUFFICIENT SLOPE TO PROVIDE DRAINAGE TO NEAREST VALVE.
 3. ALL TUBING TO BE SECURED AT 1200 INTERVALS MAX WITH CLAMP 10495-01-000 OR CLIP 91951-01-000 AND SCREW G67-10-12B.

X-X FOR WATER CALLOUTS SEE DWG NO. 116230-01-000

LEGEND

HOT	-----
COLD	—————

WINNEBAGO 97 324RC

OF IN	DATE	UNDESIGNED TOLERANCES ARE:	MATERIAL
CHP	DATE	WHOLE DIM (IN)	F 1/4
FPE	DATE	ONE-PLACE (IN.X1)	.
FVE	DATE	TWO-PLACE (IN.XXX)	.
DATE	DATE	THREE-PLACE (IN.XXX.X)	.005
DATE	DATE	FOUR-PLACE (IN.XXX.XX)	.001
DATE	DATE	INCHES	1/16
DATE	DATE	MILLIMETERS	0.1

LANE# 324RC TITLE WATER SYSTEM INSTL
 DIA # SCALE: NONE 30 PER SCALE: NONE DIA # 1.6
 ALL DIMENSIONS ARE IN MILLIMETERS SHEET 1 OF 2 123052

