

11 NOT USED ON CANADIAN UNITS.

10 SECURE VENT TUBES TO FLOOR WITH BRACKET 95061-01-000(2), CLAMP 62401-02-000, PLATE COVER 94346-03-000, SCREW G67-10-12B(2), AND STAPLE 5403-03-000.

9 VENT PIPE MUST PROJECT 51 MM MIN AND 63.5 MM MAX ABOVE ROOF FOR PROPER FIT AND FUNCTION.

8. SEE DWG 61607-01-000 FOR INSTL OF GROMMETS.

7. SEAL ALL AROUND SHOWER WITH SILICONE.

6. FOR CAN UNITS EACH HOLDING TANK SHALL HAVE A CSA APPROVAL STAMPED NEAR THE IAMPO APPROVAL.

5. EXPOSED PIPE ABOVE ROOF TO BE PAINTED 37163-01-000.

4. ALL EXTERIOR OPENINGS AROUND PIPE TO BE SEALED WITH 110744-01-000.

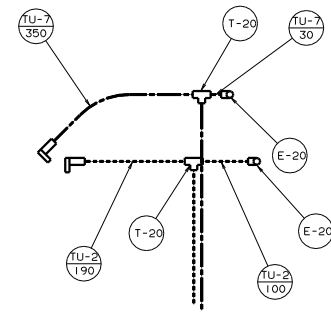
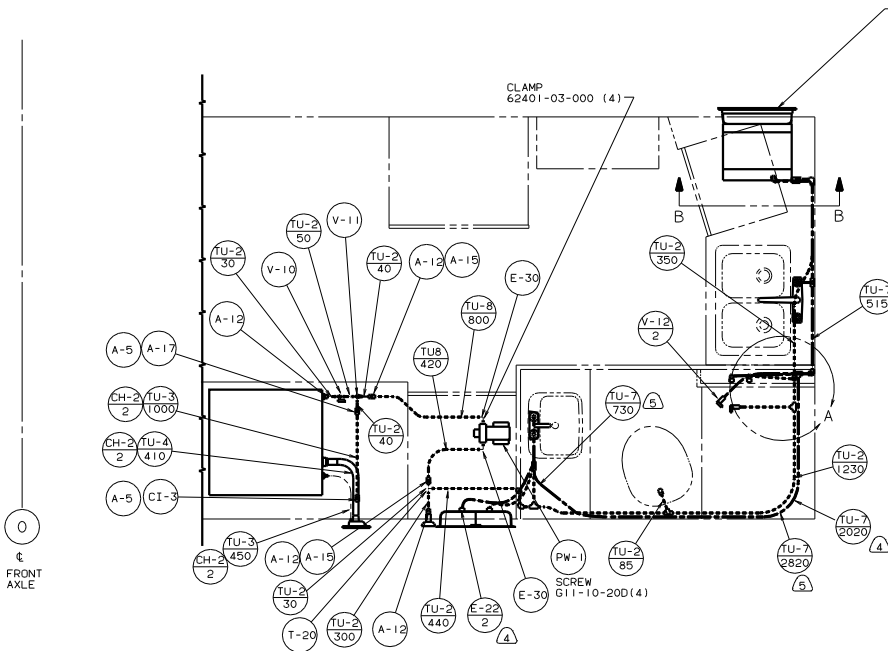
3. ALL PIPE AND FITTINGS TO BE ASSEMBLED WITH SOLVENT 4020-01-000.

2. SLOPE OF TRAP ARM MUST BE 6 PER 305.

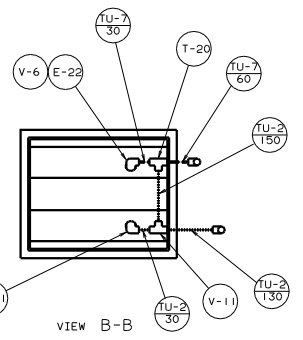
1. SLOPE OF HORIZONTAL PIPING TO BE 6 PER 305 MIN.

NOTES:

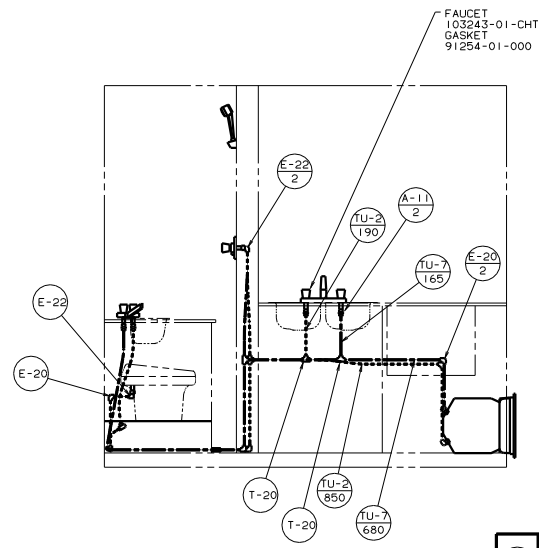
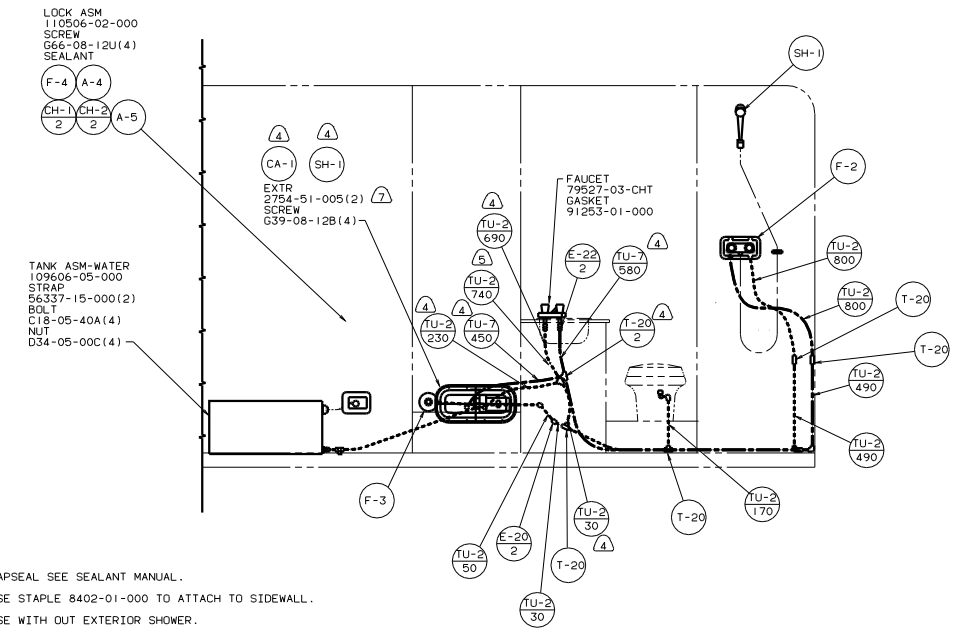
WINNEAGO		95 321RK
DATE	UNDESIGNED TOLERANCES ARE:	MATERIAL
DATE	ONE-PLACE (1X.1)	
DATE	TWO-PLACE (1X.01)	
DATE	THREE-PLACE (1X.001)	
DATE	FOUR-PLACE (1X.0001)	
DATE	FIVE-PLACE (1X.00001)	
DATE	SIX-PLACE (1X.000001)	
DATE	SEVEN-PLACE (1X.0000001)	
DATE	EIGHT-PLACE (1X.00000001)	
DATE	NINE-PLACE (1X.000000001)	
DATE	TEN-PLACE (1X.0000000001)	
DATE	ELEVEN-PLACE (1X.00000000001)	
DATE	TWELVE-PLACE (1X.000000000001)	
DATE	THIRTEEN-PLACE (1X.0000000000001)	
DATE	FOURTEEN-PLACE (1X.00000000000001)	
DATE	FIFTEEN-PLACE (1X.000000000000001)	
DATE	SIXTEEN-PLACE (1X.0000000000000001)	
DATE	SEVENTEEN-PLACE (1X.00000000000000001)	
DATE	EIGHTEEN-PLACE (1X.000000000000000001)	
DATE	NINETEEN-PLACE (1X.0000000000000000001)	
DATE	TWENTY-PLACE (1X.00000000000000000001)	
DATE	ONE PLACE (1X.1)	
DATE	TWO PLACE (1X.01)	
DATE	THREE PLACE (1X.001)	
DATE	FOUR PLACE (1X.0001)	
DATE	FIVE PLACE (1X.00001)	
DATE	SIX PLACE (1X.000001)	
DATE	SEVEN PLACE (1X.0000001)	
DATE	EIGHT PLACE (1X.00000001)	
DATE	NINE PLACE (1X.000000001)	
DATE	TEN PLACE (1X.0000000001)	
DATE	ELEVEN PLACE (1X.00000000001)	
DATE	TWELVE PLACE (1X.000000000001)	
DATE	THIRTEEN PLACE (1X.0000000000001)	
DATE	FOURTEEN PLACE (1X.00000000000001)	
DATE	FIFTEEN PLACE (1X.000000000000001)	
DATE	SIXTEEN PLACE (1X.0000000000000001)	
DATE	SEVENTEEN PLACE (1X.00000000000000001)	
DATE	EIGHTEEN PLACE (1X.000000000000000001)	
DATE	NINETEEN PLACE (1X.0000000000000000001)	
DATE	TWENTY PLACE (1X.00000000000000000001)	
DATE	ONE PLACE (1X.1)	
DATE	TWO PLACE (1X.01)	
DATE	THREE PLACE (1X.001)	
DATE	FOUR PLACE (1X.0001)	
DATE	FIVE PLACE (1X.00001)	
DATE	SIX PLACE (1X.000001)	
DATE	SEVEN PLACE (1X.0000001)	
DATE	EIGHT PLACE (1X.00000001)	
DATE	NINE PLACE (1X.000000001)	
DATE	TEN PLACE (1X.0000000001)	
DATE	ELEVEN PLACE (1X.00000000001)	
DATE	TWELVE PLACE (1X.000000000001)	
DATE	THIRTEEN PLACE (1X.0000000000001)	
DATE	FOURTEEN PLACE (1X.00000000000001)	
DATE	FIFTEEN PLACE (1X.000000000000001)	
DATE	SIXTEEN PLACE (1X.0000000000000001)	
DATE	SEVENTEEN PLACE (1X.00000000000000001)	
DATE	EIGHTEEN PLACE (1X.000000000000000001)	
DATE	NINETEEN PLACE (1X.0000000000000000001)	
DATE	TWENTY PLACE (1X.00000000000000000001)	
DATE	ONE PLACE (1X.1)	
DATE	TWO PLACE (1X.01)	
DATE	THREE PLACE (1X.001)	
DATE	FOUR PLACE (1X.0001)	
DATE	FIVE PLACE (1X.00001)	
DATE	SIX PLACE (1X.000001)	
DATE	SEVEN PLACE (1X.0000001)	
DATE	EIGHT PLACE (1X.00000001)	
DATE	NINE PLACE (1X.000000001)	
DATE	TEN PLACE (1X.0000000001)	
DATE	ELEVEN PLACE (1X.00000000001)	
DATE	TWELVE PLACE (1X.000000000001)	
DATE	THIRTEEN PLACE (1X.0000000000001)	
DATE	FOURTEEN PLACE (1X.00000000000001)	
DATE	FIFTEEN PLACE (1X.000000000000001)	
DATE	SIXTEEN PLACE (1X.0000000000000001)	
DATE	SEVENTEEN PLACE (1X.00000000000000001)	
DATE	EIGHTEEN PLACE (1X.000000000000000001)	
DATE	NINETEEN PLACE (1X.0000000000000000001)	
DATE	TWENTY PLACE (1X.00000000000000000001)	
DATE	ONE PLACE (1X.1)	
DATE	TWO PLACE (1X.01)	
DATE	THREE PLACE (1X.001)	
DATE	FOUR PLACE (1X.0001)	
DATE	FIVE PLACE (1X.00001)	
DATE	SIX PLACE (1X.000001)	
DATE	SEVEN PLACE (1X.0000001)	
DATE	EIGHT PLACE (1X.00000001)	
DATE	NINE PLACE (1X.000000001)	
DATE	TEN PLACE (1X.0000000001)	
DATE	ELEVEN PLACE (1X.00000000001)	
DATE	TWELVE PLACE (1X.000000000001)	
DATE	THIRTEEN PLACE (1X.0000000000001)	
DATE	FOURTEEN PLACE (1X.00000000000001)	
DATE	FIFTEEN PLACE (1X.000000000000001)	
DATE	SIXTEEN PLACE (1X.0000000000000001)	
DATE	SEVENTEEN PLACE (1X.00000000000000001)	
DATE	EIGHTEEN PLACE (1X.000000000000000001)	
DATE	NINETEEN PLACE (1X.0000000000000000001)	
DATE	TWENTY PLACE (1X.00000000000000000001)	
DATE	ONE PLACE (1X.1)	
DATE	TWO PLACE (1X.01)	
DATE	THREE PLACE (1X.001)	
DATE	FOUR PLACE (1X.0001)	
DATE	FIVE PLACE (1X.00001)	
DATE	SIX PLACE (1X.000001)	
DATE	SEVEN PLACE (1X.0000001)	
DATE	EIGHT PLACE (1X.00000001)	
DATE	NINE PLACE (1X.000000001)	
DATE	TEN PLACE (1X.0000000001)	
DATE	ELEVEN PLACE (1X.00000000001)	
DATE	TWELVE PLACE (1X.000000000001)	
DATE	THIRTEEN PLACE (1X.0000000000001)	
DATE	FOURTEEN PLACE (1X.00000000000001)	
DATE	FIFTEEN PLACE (1X.000000000000001)	
DATE	SIXTEEN PLACE (1X.0000000000000001)	
DATE	SEVENTEEN PLACE (1X.00000000000000001)	
DATE	EIGHTEEN PLACE (1X.000000000000000001)	
DATE	NINETEEN PLACE (1X.0000000000000000001)	
DATE	TWENTY PLACE (1X.00000000000000000001)	
DATE	ONE PLACE (1X.1)	
DATE	TWO PLACE (1X.01)	
DATE	THREE PLACE (1X.001)	
DATE	FOUR PLACE (1X.0001)	
DATE	FIVE PLACE (1X.00001)	
DATE	SIX PLACE (1X.000001)	
DATE	SEVEN PLACE (1X.0000001)	
DATE	EIGHT PLACE (1X.00000001)	
DATE	NINE PLACE (1X.000000001)	
DATE	TEN PLACE (1X.0000000001)	
DATE	ELEVEN PLACE (1X.00000000001)	
DATE	TWELVE PLACE (1X.000000000001)	
DATE	THIRTEEN PLACE (1X.0000000000001)	
DATE	FOURTEEN PLACE (1X.00000000000001)	
DATE	FIFTEEN PLACE (1X.000000000000001)	
DATE	SIXTEEN PLACE (1X.0000000000000001)	
DATE	SEVENTEEN PLACE (1X.00000000000000001)	
DATE	EIGHTEEN PLACE (1X.000000000000000001)	
DATE	NINETEEN PLACE (1X.0000000000000000001)	
DATE	TWENTY PLACE (1X.00000000000000000001)	
DATE	ONE PLACE (1X.1)	
DATE	TWO PLACE (1X.01)	
DATE	THREE PLACE (1X.001)	
DATE	FOUR PLACE (1X.0001)	
DATE	FIVE PLACE (1X.00001)	
DATE	SIX PLACE (1X.000001)	
DATE	SEVEN PLACE (1X.0000001)	
DATE	EIGHT PLACE (1X.00000001)	
DATE	NINE PLACE (1X.000000001)	
DATE	TEN PLACE (1X.0000000001)	
DATE	ELEVEN PLACE (1X.00000000001)	
DATE	TWELVE PLACE (1X.000000000001)	
DATE	THIRTEEN PLACE (1X.0000000000001)	
DATE	FOURTEEN PLACE (1X.00000000000001)	
DATE	FIFTEEN PLACE (1X.000000000000001)	
DATE	SIXTEEN PLACE (1X.0000000000000001)	
DATE	SEVENTEEN PLACE (1X.00000000000000001)	
DATE	EIGHTEEN PLACE (1X.000000000000000001)	
DATE	NINETEEN PLACE (1X.0000000000000000001)	
DATE	TWENTY PLACE (1X.00000000000000000001)	
DATE	ONE PLACE (1X.1)	
DATE	TWO PLACE (1X.01)	
DATE	THREE PLACE (1X.001)	
DATE	FOUR PLACE (1X.0001)	
DATE	FIVE PLACE (1X.00001)	
DATE	SIX PLACE (1X.000001)	
DATE	SEVEN PLACE (1X.0000001)	
DATE	EIGHT PLACE (1X.00000001)	
DATE	NINE PLACE (1X.000000001)	
DATE	TEN PLACE (1X.0000000001)	
DATE	ELEVEN PLACE (1X.00000000001)	
DATE	TWELVE PLACE (1X.000000000001)	
DATE	THIRTEEN PLACE (1X.0000000000001)	
DATE	FOURTEEN PLACE (1X.00000000000001)	
DATE	FIFTEEN PLACE (1X.000000000000001)	
DATE	SIXTEEN PLACE (1X.0000000000000001)	
DATE	SEVENTEEN PLACE (1X.00000000000000001)	
DATE	EIGHTEEN PLACE (1X.000000000000000001)	
DATE	NINETEEN PLACE (1X.0000000000000000001)	
DATE	TWENTY PLACE (1X.00000000000000000001)	
DATE	ONE PLACE (1X.1)	
DATE	TWO PLACE (1X.01)	
DATE	THREE PLACE (1X.001)	
DATE	FOUR PLACE (1X.0001)	
DATE	FIVE PLACE (1X.00001)	
DATE	SIX PLACE (1X.000001)	
DATE	SEVEN PLACE (1X.0000001)	
DATE	EIGHT PLACE (1X.00000001)	
DATE	NINE PLACE (1X.000000001)	
DATE	TEN PLACE (1X.0000000001)	
DATE	ELEVEN PLACE (1X.00000000001)	
DATE	TWELVE PLACE (1X.000000000001)	
DATE	THIRTEEN PLACE (1X.0000000000001)	
DATE	FOURTEEN PLACE (1X.00000000000001)	
DATE	FIFTEEN PLACE (1X.000000000000001)	
DATE	SIXTEEN PLACE (1X.0000000000000001)	
DATE	SEVENTEEN PLACE (1X.00000000000000001)	
DATE	EIGHTEEN PLACE (1X.000000000000000001)	
DATE	NINETEEN PLACE (1X.0000000000000000001)	
DATE	TWENTY PLACE (1X.00000000000000000001)	
DATE	ONE PLACE (1X.1)	
DATE	TWO PLACE (1X.01)	
DATE	THREE PLACE (1X.001)	
DATE	FOUR PLACE (1X.0001)	
DATE	FIVE PLACE (1X.00001)	
DATE	SIX PLACE (1X.000001)	
DATE	SEVEN PLACE (1X.0000001)	
DATE	EIGHT PLACE (1X.00000001)	
DATE	NINE PLACE (1X.000000001)	
DATE	TEN PLACE (1X.0000000001)	
DATE	ELEVEN PLACE (1X.00000000001)	
DATE	TWELVE PLACE (1X.000000000001)	
DATE	THIRTEEN PLACE (1X.0000000000001)	
DATE	FOURTEEN PLACE (1X.00000000000001)	
DATE	FIFTEEN PLACE (1X.000000000000001)	
DATE	SIXTEEN PLACE (1X.0000000000000001)	
DATE	SEVENTEEN PLACE (1X.00000000000000001)	
DATE	EIGHTEEN PLACE (1X.000000000000000001)	
DATE	NINETEEN PLACE (1X.0000000000000000001)	
DATE	TWENTY PLACE (1X.00000000000000000001)	
DATE	ONE PLACE (1X.1)	
DATE	TWO PLACE (1X.01)	
DATE	THREE PLACE (1X.001)	
DATE	FOUR PLACE (1X.0001)	
DATE	FIVE PLACE (1X.00001)	
DATE	SIX PLACE (1X.000001)	
DATE	SEVEN PLACE (1X.0000001)	
DATE	EIGHT	



DETAIL A



VIEW B-B



- 7) CAPSEAL SEE SEALANT MANUAL.
 - 6) USE STAPLE 8402-01-000 TO ATTACH TO SIDEWALL.
 - 5) USE WITH OUT EXTERIOR SHOWER.
 - 4) USE WITH EXTERIOR SHOWER.
1. ALL TUBING TO BE SECURED AT 1200 INTERVALS MAX WITH CLAMP 10495-01-000 AND SCREW G67-10-12B.
 2. TUBING TO BE INSTALLED WITH SUFFICIENT SLOPE TO PROVIDE DRAINAGE TO NEAREST VALVE.
 1. PLASTIC FITTINGS TO BE SEALED WITH SEALANT 84456-01-000.

LEGEND

HOT	—————
COLD	—————

X-X FOR WATER CALLOUTS SEE DWG NO. 116230-01-000

WINNEBAGO 95 321RK

DATE	UNDESIGNED TOLERANCES ARE	MATERIAL
DATE	WHOLE DIM IN	
DATE	ONE-PLACE IN .01	
DATE	TWO-PLACE IN .001	
DATE	THREE-PLACE IN .0005	
DATE	FOUR-PLACE IN .0001	
DATE	FIVE-PLACE IN .00005	
DATE	SIX-PLACE IN .00001	
DATE	SEVEN-PLACE IN .000005	
DATE	EIGHT-PLACE IN .000001	
DATE	NINE-PLACE IN .0000005	
DATE	TEN-PLACE IN .0000001	

LANE 321RK6 TITLE WATER SYSTEM INSTL
 1/16" SCALE: NONE 3/16" SCALE: 1/2" DIA
 ALL DIMENSIONS ARE IN MILLIMETERS SHEET 1 OF 1 116913