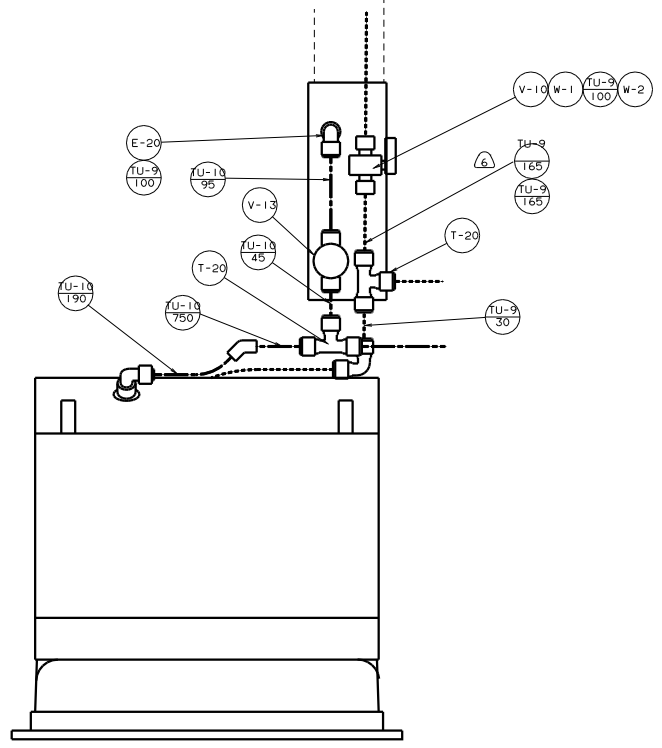


- (9) USE WITH EXTERIOR ENTERTAINMENT CENTER.
 (8) USE WITHOUT JAPAN EXPORT PACKAGE.
 (7) USE WITH JAPAN EXPORT PACKAGE.
 (6) USE WITHOUT MOTOR AID.
 (5) USE WITHOUT EXTERIOR SHOWER.
 (4) USE WITH EXTERIOR SHOWER.
 3. ALL TUBING TO BE SECURED AT 1200 INTERVALS MAXIMUM WITH CLAMP 10495-01-000 AND SCREW G67-10-12B.
 2. TUBING TO BE INSTALLED WITH SUFFICIENT SLOPE TO PROVIDE DRAINAGE TO NEAREST VALVE.
 1. PLASTIC FITTINGS TO BE SEALED WITH SEALANT 84456-01-000.

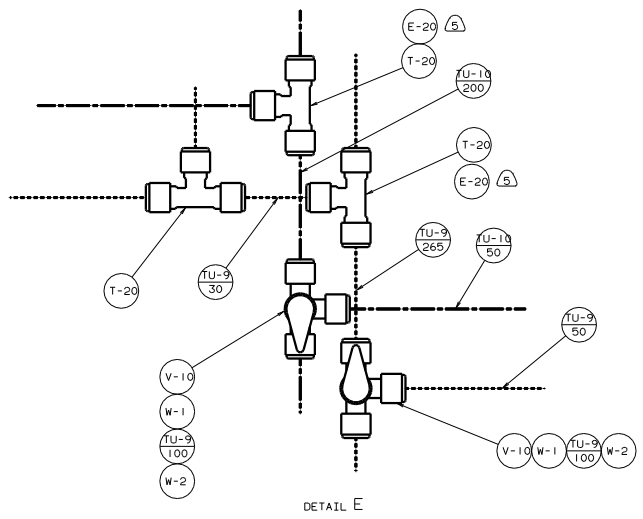
FOR WATER CALLOUTS SEE DWG NO. 116230-01-000

| LEGEND | |
|--------|-------|
| HOT | ————— |
| COLD | ————— |

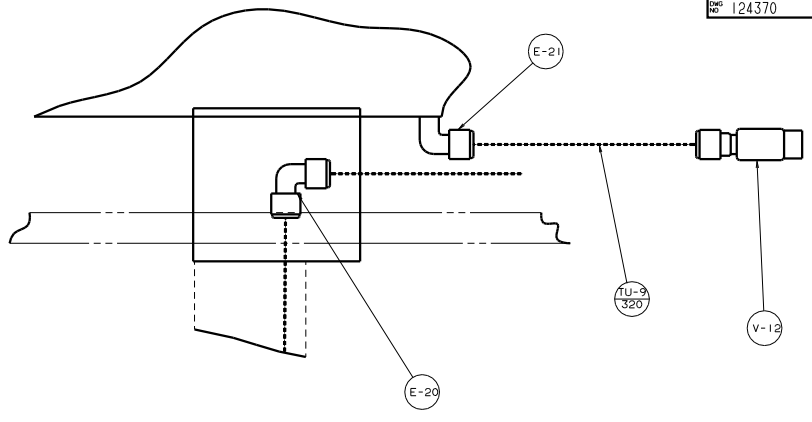
| | | |
|------|------|--|
| | | 97 321RB |
| DATE | DATE | UNDESIGNED TOLERANCES ARE: |
| DATE | DATE | WHOLE DIM (IN) .1 |
| DATE | DATE | ONE-PLACE (IN) .01 |
| DATE | DATE | TWO-PLACE (IN) .005 |
| DATE | DATE | THREE-PLACE (IN) .001 |
| DATE | DATE | FOUR-PLACE (IN) .0005 |
| DATE | DATE | FIVE-PLACE (IN) .0001 |
| DATE | DATE | SIX-PLACE (IN) .00005 |
| DATE | DATE | SEVEN-PLACE (IN) .00001 |
| DATE | DATE | EIGHT-PLACE (IN) .000005 |
| DATE | DATE | NINE-PLACE (IN) .000001 |
| DATE | DATE | TEN-PLACE (IN) .0000005 |
| DATE | DATE | ELEVEN-PLACE (IN) .0000001 |
| DATE | DATE | TWELVE-PLACE (IN) .00000005 |
| DATE | DATE | THIRTEEN-PLACE (IN) .00000001 |
| DATE | DATE | FOURTEEN-PLACE (IN) .000000005 |
| DATE | DATE | FIFTEEN-PLACE (IN) .000000001 |
| DATE | DATE | SIXTEEN-PLACE (IN) .0000000005 |
| DATE | DATE | SEVENTEEN-PLACE (IN) .0000000001 |
| DATE | DATE | EIGHTEEN-PLACE (IN) .00000000005 |
| DATE | DATE | NINETEEN-PLACE (IN) .00000000001 |
| DATE | DATE | TWENTY-PLACE (IN) .000000000005 |
| DATE | DATE | TWENTY-ONE-PLACE (IN) .000000000001 |
| DATE | DATE | TWENTY-TWO-PLACE (IN) .0000000000005 |
| DATE | DATE | TWENTY-THREE-PLACE (IN) .0000000000001 |
| DATE | DATE | TWENTY-FOUR-PLACE (IN) .00000000000005 |
| DATE | DATE | TWENTY-FIVE-PLACE (IN) .00000000000001 |
| DATE | DATE | TWENTY-SIX-PLACE (IN) .000000000000005 |
| DATE | DATE | TWENTY-SEVEN-PLACE (IN) .000000000000001 |
| DATE | DATE | TWENTY-EIGHT-PLACE (IN) .0000000000000005 |
| DATE | DATE | TWENTY-NINE-PLACE (IN) .0000000000000001 |
| DATE | DATE | THIRTY-PLACE (IN) .00000000000000005 |
| DATE | DATE | THIRTY-ONE-PLACE (IN) .00000000000000001 |
| DATE | DATE | THIRTY-TWO-PLACE (IN) .000000000000000005 |
| DATE | DATE | THIRTY-THREE-PLACE (IN) .000000000000000001 |
| DATE | DATE | THIRTY-FOUR-PLACE (IN) .0000000000000000005 |
| DATE | DATE | THIRTY-FIVE-PLACE (IN) .0000000000000000001 |
| DATE | DATE | THIRTY-SIX-PLACE (IN) .00000000000000000005 |
| DATE | DATE | THIRTY-SEVEN-PLACE (IN) .00000000000000000001 |
| DATE | DATE | THIRTY-EIGHT-PLACE (IN) .000000000000000000005 |
| DATE | DATE | THIRTY-NINE-PLACE (IN) .000000000000000000001 |
| DATE | DATE | FOURTY-PLACE (IN) .0000000000000000000005 |
| DATE | DATE | FOURTY-ONE-PLACE (IN) .0000000000000000000001 |
| DATE | DATE | FOURTY-TWO-PLACE (IN) .00000000000000000000005 |
| DATE | DATE | FOURTY-THREE-PLACE (IN) .00000000000000000000001 |
| DATE | DATE | FOURTY-FOUR-PLACE (IN) .000000000000000000000005 |
| DATE | DATE | FOURTY-FIVE-PLACE (IN) .000000000000000000000001 |
| DATE | DATE | FOURTY-SIX-PLACE (IN) .0000000000000000000000005 |
| DATE | DATE | FOURTY-SEVEN-PLACE (IN) .0000000000000000000000001 |
| DATE | DATE | FOURTY-EIGHT-PLACE (IN) .00000000000000000000000005 |
| DATE | DATE | FOURTY-NINE-PLACE (IN) .00000000000000000000000001 |
| DATE | DATE | FIFTY-PLACE (IN) .000000000000000000000000005 |
| DATE | DATE | FIFTY-ONE-PLACE (IN) .000000000000000000000000001 |
| DATE | DATE | FIFTY-TWO-PLACE (IN) .0000000000000000000000000005 |
| DATE | DATE | FIFTY-THREE-PLACE (IN) .0000000000000000000000000001 |
| DATE | DATE | FIFTY-FOUR-PLACE (IN) .00000000000000000000000000005 |
| DATE | DATE | FIFTY-FIVE-PLACE (IN) .00000000000000000000000000001 |
| DATE | DATE | FIFTY-SIX-PLACE (IN) .000000000000000000000000000005 |
| DATE | DATE | FIFTY-SEVEN-PLACE (IN) .000000000000000000000000000001 |
| DATE | DATE | FIFTY-EIGHT-PLACE (IN) .0000000000000000000000000000005 |
| DATE | DATE | FIFTY-NINE-PLACE (IN) .0000000000000000000000000000001 |
| DATE | DATE | SIXTY-PLACE (IN) .00000000000000000000000000000005 |
| DATE | DATE | SIXTY-ONE-PLACE (IN) .00000000000000000000000000000001 |
| DATE | DATE | SIXTY-TWO-PLACE (IN) .000000000000000000000000000000005 |
| DATE | DATE | SIXTY-THREE-PLACE (IN) .000000000000000000000000000000001 |
| DATE | DATE | SIXTY-FOUR-PLACE (IN) .0000000000000000000000000000000005 |
| DATE | DATE | SIXTY-FIVE-PLACE (IN) .0000000000000000000000000000000001 |
| DATE | DATE | SIXTY-SIX-PLACE (IN) .00000000000000000000000000000000005 |
| DATE | DATE | SIXTY-SEVEN-PLACE (IN) .00000000000000000000000000000000001 |
| DATE | DATE | SIXTY-EIGHT-PLACE (IN) .000000000000000000000000000000000005 |
| DATE | DATE | SIXTY-NINE-PLACE (IN) .000000000000000000000000000000000001 |
| DATE | DATE | SEVENTY-PLACE (IN) .0000000000000000000000000000000000005 |
| DATE | DATE | SEVENTY-ONE-PLACE (IN) .0000000000000000000000000000000000001 |
| DATE | DATE | SEVENTY-TWO-PLACE (IN) .00000000000000000000000000000000000005 |
| DATE | DATE | SEVENTY-THREE-PLACE (IN) .00000000000000000000000000000000000001 |
| DATE | DATE | SEVENTY-FOUR-PLACE (IN) .000000000000000000000000000000000000005 |
| DATE | DATE | SEVENTY-FIVE-PLACE (IN) .000000000000000000000000000000000000001 |
| DATE | DATE | SEVENTY-SIX-PLACE (IN) .0000000000000000000000000000000000000005 |
| DATE | DATE | SEVENTY-SEVEN-PLACE (IN) .0000000000000000000000000000000000000001 |
| DATE | DATE | SEVENTY-EIGHT-PLACE (IN) .005 |
| DATE | DATE | SEVENTY-NINE-PLACE (IN) .001 |
| DATE | DATE | EIGHTY-PLACE (IN) .0005 |
| DATE | DATE | EIGHTY-ONE-PLACE (IN) .0001 |
| DATE | DATE | EIGHTY-TWO-PLACE (IN) .005 |
| DATE | DATE | EIGHTY-THREE-PLACE (IN) .001 |
| DATE | DATE | EIGHTY-FOUR-PLACE (IN) .0005 |
| DATE | DATE | EIGHTY-FIVE-PLACE (IN) .0001 |
| DATE | DATE | EIGHTY-SIX-PLACE (IN) .005 |
| DATE | DATE | EIGHTY-SEVEN-PLACE (IN) .001 |
| DATE | DATE | EIGHTY-EIGHT-PLACE (IN) .0005 |
| DATE | DATE | EIGHTY-NINE-PLACE (IN) .0001 |
| DATE | DATE | NINETY-PLACE (IN) .005 |
| DATE | DATE | NINETY-ONE-PLACE (IN) .001 |
| DATE | DATE | NINETY-TWO-PLACE (IN) .0005 |
| DATE | DATE | NINETY-THREE-PLACE (IN) .0001 |
| DATE | DATE | NINETY-FOUR-PLACE (IN) .005 |
| DATE | DATE | NINETY-FIVE-PLACE (IN) .001 |
| DATE | DATE | NINETY-SIX-PLACE (IN) .0005 |
| DATE | DATE | NINETY-SEVEN-PLACE (IN) .0001 |
| DATE | DATE | NINETY-EIGHT-PLACE (IN) .005 |
| DATE | DATE | NINETY-NINE-PLACE (IN) .001 |
| DATE | DATE | HUNDRED-PLACE (IN) .0005 |



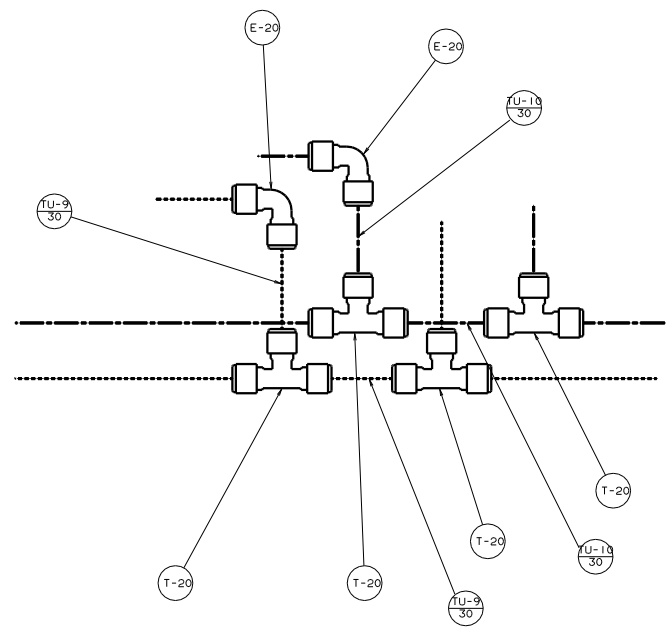
DETAIL B



DETAIL E



DETAIL C



VIEW D-D

97 321RB

| | |
|---------------------------|-----------------|
| TITLE: WATER SYSTEM INSTL | |
| NO. OF SHEETS: 2 | SHEET NO. 2 |
| DATE: 1/16 | DWG. NO. 124370 |