

FRONT AXLE

5. EXPOSED PIPE ABOVE ROOF TO BE PAINTED 37163-01-000.
4. ALL EXTERIOR OPENINGS AROUND PIPE TO BE SEALED WITH 69637-01-000.
3. ALL PIPE AND FITTINGS TO BE ASSEMBLED WITH SOLVENT 4020-01-000.
2. SLOPE OF TRAP ARM MUST BE 6 PER 305.
1. SLOPE OF HORIZONTAL PIPING TO BE 6 PER 305 MIN.

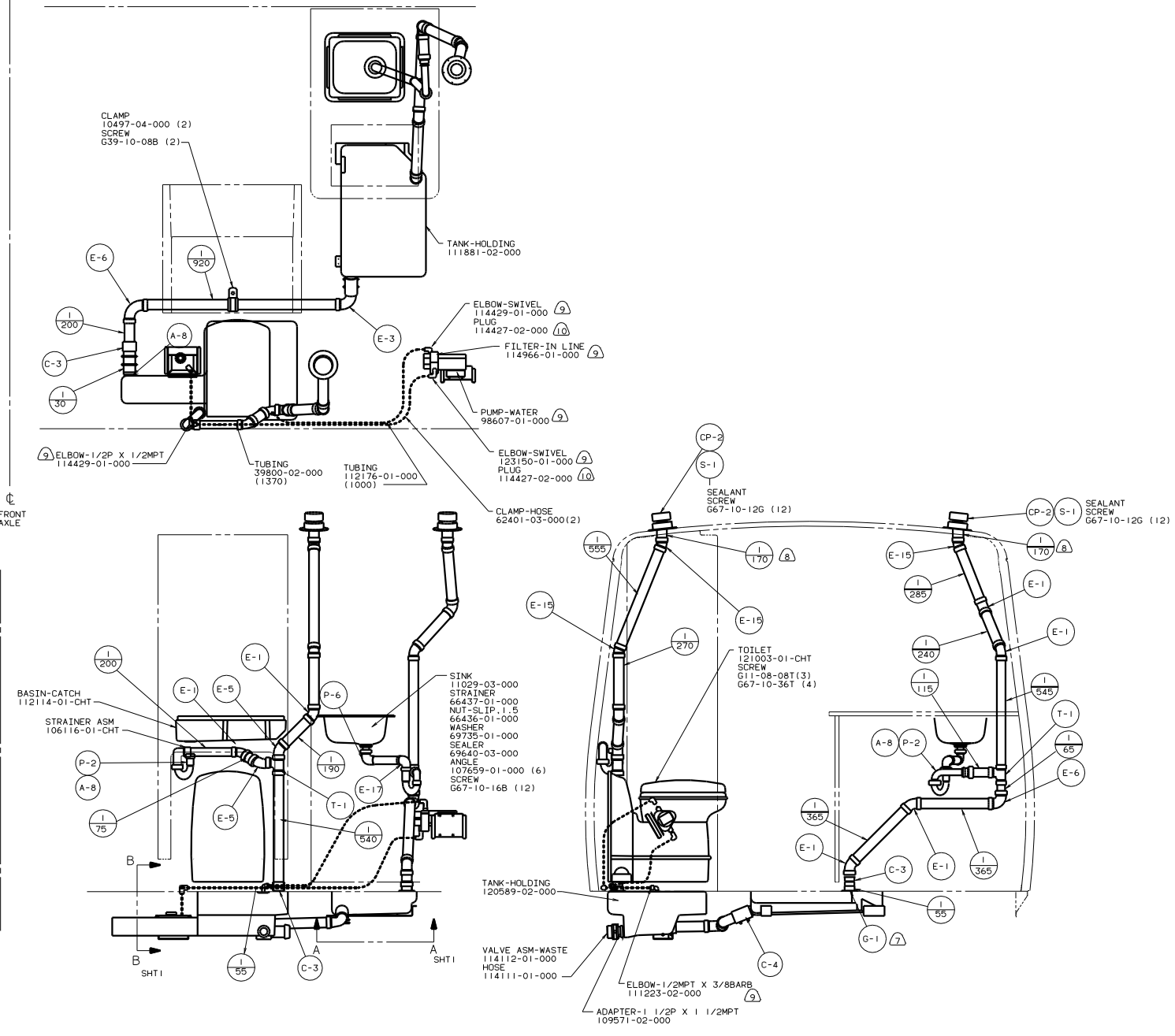
- (10) 1A7 SHOWER PACKAGE WITHOUT.
- (9) 1A0 SHOWER PACKAGE.
- (8) VENT PIPE MUST PROJECT 51 MIN AND 63.5 MAX ABOVE ROOF FOR PROPER FIT AND FUNCTION.
- (7) SEE DWG 61607-01-000 FOR INSTALLATION OF GROMMET.
- (13) NOT USED ON CANADIAN UNIT.
- (12) 265 CODE STANDARDS. CSA.
- (11) USE SCRAP CLOSED CELL NEOPRENE FOR 77075-01.-02 OR -03 ON HAT CHANNELS FOR VIBRATION DAMPENING.

FOR DRAINAGE CALLOUTS SEE DWG NO. 116229-01-000

222 RD US/CANADIAN

1B1 CODE STANDARDS-USA
 265 CODE STANDARDS-CSA

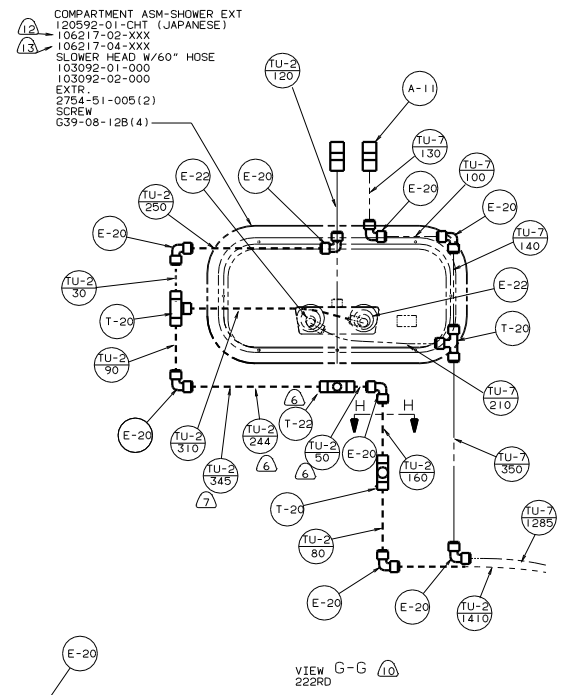
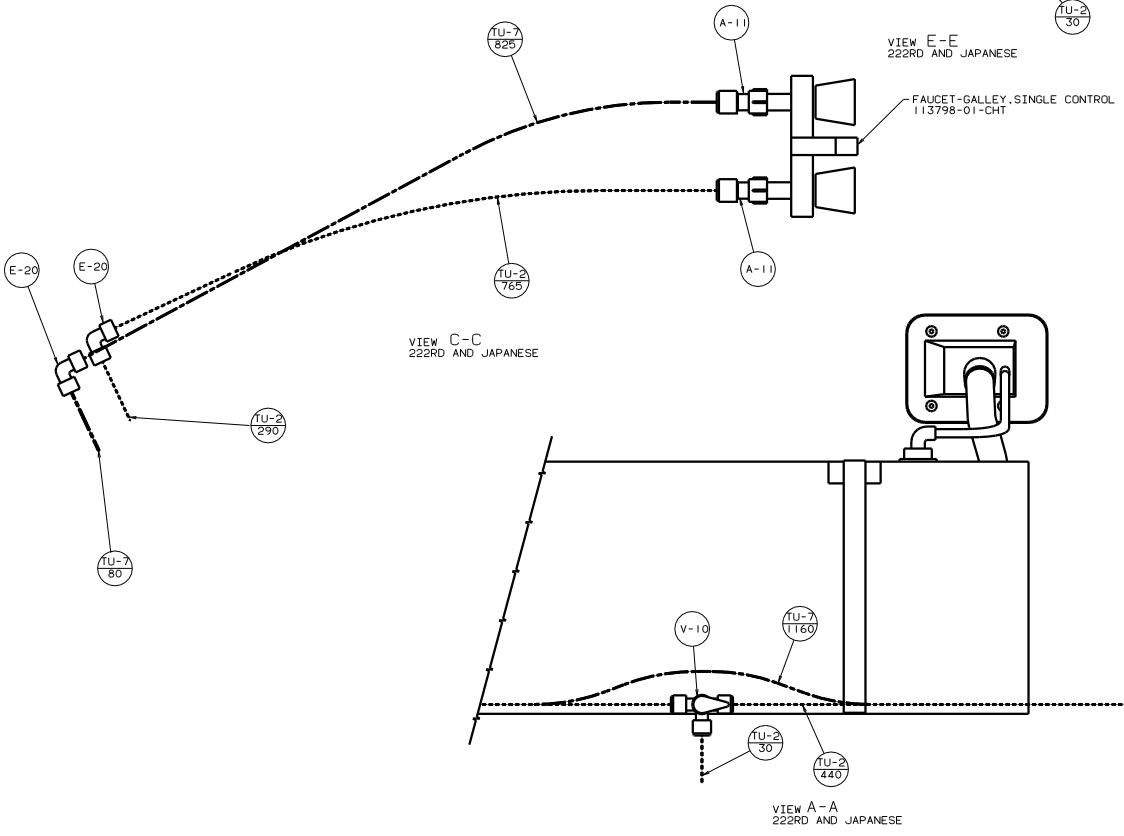
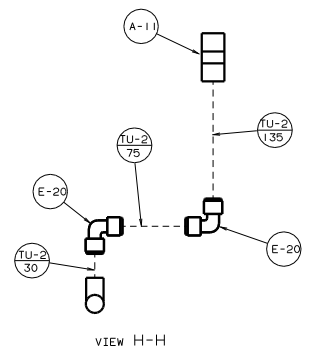
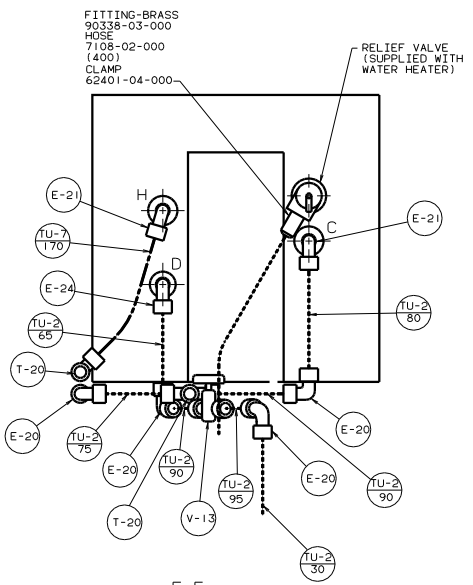
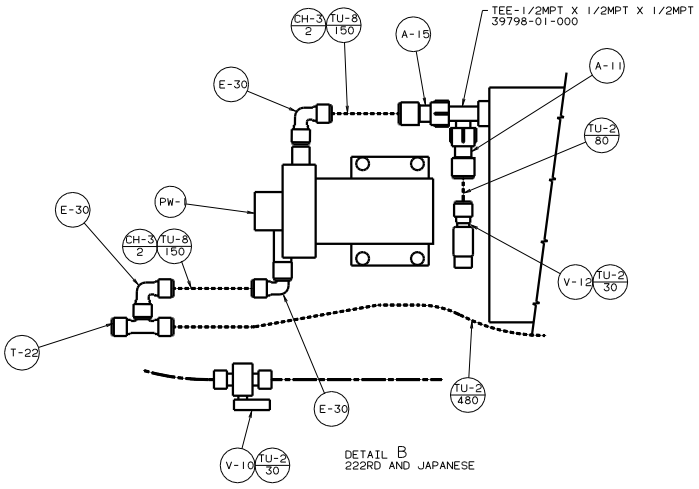
| | | | |
|--------------------|------|------------------------------|-----------|
| DRAWING NO. 222RD7 | | TITLE: DRAINAGE SYSTEM INSTL | |
| DATE | DATE | UNDESIGNED TOLERANCES ARE: | MATERIAL: |
| DATE | DATE | WHOLE DIM (IN) | F 3 |
| DATE | DATE | ONE-PLACE (IN.X1) | F 3 |
| DATE | DATE | TWO-PLACE (IN.XXX) | F 3 |
| DATE | DATE | THREE-PLACE (IN.XXX) | F 3 |
| DATE | DATE | FOUR-PLACE (IN.XXX) | F 3 |
| DATE | DATE | FIVE-PLACE (IN.XXX) | F 3 |
| DATE | DATE | SIX-PLACE (IN.XXX) | F 3 |
| DATE | DATE | SEVEN-PLACE (IN.XXX) | F 3 |
| DATE | DATE | EIGHT-PLACE (IN.XXX) | F 3 |
| DATE | DATE | NINE-PLACE (IN.XXX) | F 3 |
| DATE | DATE | TEN-PLACE (IN.XXX) | F 3 |
| DATE | DATE | ELEVEN-PLACE (IN.XXX) | F 3 |
| DATE | DATE | TWELVE-PLACE (IN.XXX) | F 3 |
| DATE | DATE | THIRTEEN-PLACE (IN.XXX) | F 3 |
| DATE | DATE | FOURTEEN-PLACE (IN.XXX) | F 3 |
| DATE | DATE | FIFTEEN-PLACE (IN.XXX) | F 3 |
| DATE | DATE | SIXTEEN-PLACE (IN.XXX) | F 3 |
| DATE | DATE | SEVENTEEN-PLACE (IN.XXX) | F 3 |
| DATE | DATE | EIGHTEEN-PLACE (IN.XXX) | F 3 |
| DATE | DATE | NINETEEN-PLACE (IN.XXX) | F 3 |
| DATE | DATE | TWENTY-PLACE (IN.XXX) | F 3 |
| DATE | DATE | TWENTY-ONE PLACE (IN.XXX) | F 3 |
| DATE | DATE | TWENTY-TWO PLACE (IN.XXX) | F 3 |
| DATE | DATE | TWENTY-THREE PLACE (IN.XXX) | F 3 |
| DATE | DATE | TWENTY-FOUR PLACE (IN.XXX) | F 3 |
| DATE | DATE | TWENTY-FIVE PLACE (IN.XXX) | F 3 |
| DATE | DATE | TWENTY-SIX PLACE (IN.XXX) | F 3 |
| DATE | DATE | TWENTY-SEVEN PLACE (IN.XXX) | F 3 |
| DATE | DATE | TWENTY-EIGHT PLACE (IN.XXX) | F 3 |
| DATE | DATE | TWENTY-NINE PLACE (IN.XXX) | F 3 |
| DATE | DATE | THIRTY PLACE (IN.XXX) | F 3 |
| DATE | DATE | THIRTY-ONE PLACE (IN.XXX) | F 3 |
| DATE | DATE | THIRTY-TWO PLACE (IN.XXX) | F 3 |
| DATE | DATE | THIRTY-THREE PLACE (IN.XXX) | F 3 |
| DATE | DATE | THIRTY-FOUR PLACE (IN.XXX) | F 3 |
| DATE | DATE | THIRTY-FIVE PLACE (IN.XXX) | F 3 |
| DATE | DATE | THIRTY-SIX PLACE (IN.XXX) | F 3 |
| DATE | DATE | THIRTY-SEVEN PLACE (IN.XXX) | F 3 |
| DATE | DATE | THIRTY-EIGHT PLACE (IN.XXX) | F 3 |
| DATE | DATE | THIRTY-NINE PLACE (IN.XXX) | F 3 |
| DATE | DATE | FOURTY PLACE (IN.XXX) | F 3 |
| DATE | DATE | FOURTY-ONE PLACE (IN.XXX) | F 3 |
| DATE | DATE | FOURTY-TWO PLACE (IN.XXX) | F 3 |
| DATE | DATE | FOURTY-THREE PLACE (IN.XXX) | F 3 |
| DATE | DATE | FOURTY-FOUR PLACE (IN.XXX) | F 3 |
| DATE | DATE | FOURTY-FIVE PLACE (IN.XXX) | F 3 |
| DATE | DATE | FOURTY-SIX PLACE (IN.XXX) | F 3 |
| DATE | DATE | FOURTY-SEVEN PLACE (IN.XXX) | F 3 |
| DATE | DATE | FOURTY-EIGHT PLACE (IN.XXX) | F 3 |
| DATE | DATE | FOURTY-NINE PLACE (IN.XXX) | F 3 |
| DATE | DATE | FIFTY PLACE (IN.XXX) | F 3 |
| DATE | DATE | FIFTY-ONE PLACE (IN.XXX) | F 3 |
| DATE | DATE | FIFTY-TWO PLACE (IN.XXX) | F 3 |
| DATE | DATE | FIFTY-THREE PLACE (IN.XXX) | F 3 |
| DATE | DATE | FIFTY-FOUR PLACE (IN.XXX) | F 3 |
| DATE | DATE | FIFTY-FIVE PLACE (IN.XXX) | F 3 |
| DATE | DATE | FIFTY-SIX PLACE (IN.XXX) | F 3 |
| DATE | DATE | FIFTY-SEVEN PLACE (IN.XXX) | F 3 |
| DATE | DATE | FIFTY-EIGHT PLACE (IN.XXX) | F 3 |
| DATE | DATE | FIFTY-NINE PLACE (IN.XXX) | F 3 |
| DATE | DATE | SIXTY PLACE (IN.XXX) | F 3 |
| DATE | DATE | SIXTY-ONE PLACE (IN.XXX) | F 3 |
| DATE | DATE | SIXTY-TWO PLACE (IN.XXX) | F 3 |
| DATE | DATE | SIXTY-THREE PLACE (IN.XXX) | F 3 |
| DATE | DATE | SIXTY-FOUR PLACE (IN.XXX) | F 3 |
| DATE | DATE | SIXTY-FIVE PLACE (IN.XXX) | F 3 |
| DATE | DATE | SIXTY-SIX PLACE (IN.XXX) | F 3 |
| DATE | DATE | SIXTY-SEVEN PLACE (IN.XXX) | F 3 |
| DATE | DATE | SIXTY-EIGHT PLACE (IN.XXX) | F 3 |
| DATE | DATE | SIXTY-NINE PLACE (IN.XXX) | F 3 |
| DATE | DATE | SEVENTY PLACE (IN.XXX) | F 3 |
| DATE | DATE | SEVENTY-ONE PLACE (IN.XXX) | F 3 |
| DATE | DATE | SEVENTY-TWO PLACE (IN.XXX) | F 3 |
| DATE | DATE | SEVENTY-THREE PLACE (IN.XXX) | F 3 |
| DATE | DATE | SEVENTY-FOUR PLACE (IN.XXX) | F 3 |
| DATE | DATE | SEVENTY-FIVE PLACE (IN.XXX) | F 3 |
| DATE | DATE | SEVENTY-SIX PLACE (IN.XXX) | F 3 |
| DATE | DATE | SEVENTY-SEVEN PLACE (IN.XXX) | F 3 |
| DATE | DATE | SEVENTY-EIGHT PLACE (IN.XXX) | F 3 |
| DATE | DATE | SEVENTY-NINE PLACE (IN.XXX) | F 3 |
| DATE | DATE | EIGHTY PLACE (IN.XXX) | F 3 |
| DATE | DATE | EIGHTY-ONE PLACE (IN.XXX) | F 3 |
| DATE | DATE | EIGHTY-TWO PLACE (IN.XXX) | F 3 |
| DATE | DATE | EIGHTY-THREE PLACE (IN.XXX) | F 3 |
| DATE | DATE | EIGHTY-FOUR PLACE (IN.XXX) | F 3 |
| DATE | DATE | EIGHTY-FIVE PLACE (IN.XXX) | F 3 |
| DATE | DATE | EIGHTY-SIX PLACE (IN.XXX) | F 3 |
| DATE | DATE | EIGHTY-SEVEN PLACE (IN.XXX) | F 3 |
| DATE | DATE | EIGHTY-EIGHT PLACE (IN.XXX) | F 3 |
| DATE | DATE | EIGHTY-NINE PLACE (IN.XXX) | F 3 |
| DATE | DATE | NINETY PLACE (IN.XXX) | F 3 |
| DATE | DATE | NINETY-ONE PLACE (IN.XXX) | F 3 |
| DATE | DATE | NINETY-TWO PLACE (IN.XXX) | F 3 |
| DATE | DATE | NINETY-THREE PLACE (IN.XXX) | F 3 |
| DATE | DATE | NINETY-FOUR PLACE (IN.XXX) | F 3 |
| DATE | DATE | NINETY-FIVE PLACE (IN.XXX) | F 3 |
| DATE | DATE | NINETY-SIX PLACE (IN.XXX) | F 3 |
| DATE | DATE | NINETY-SEVEN PLACE (IN.XXX) | F 3 |
| DATE | DATE | NINETY-EIGHT PLACE (IN.XXX) | F 3 |
| DATE | DATE | NINETY-NINE PLACE (IN.XXX) | F 3 |
| DATE | DATE | HUNDRED PLACE (IN.XXX) | F 3 |

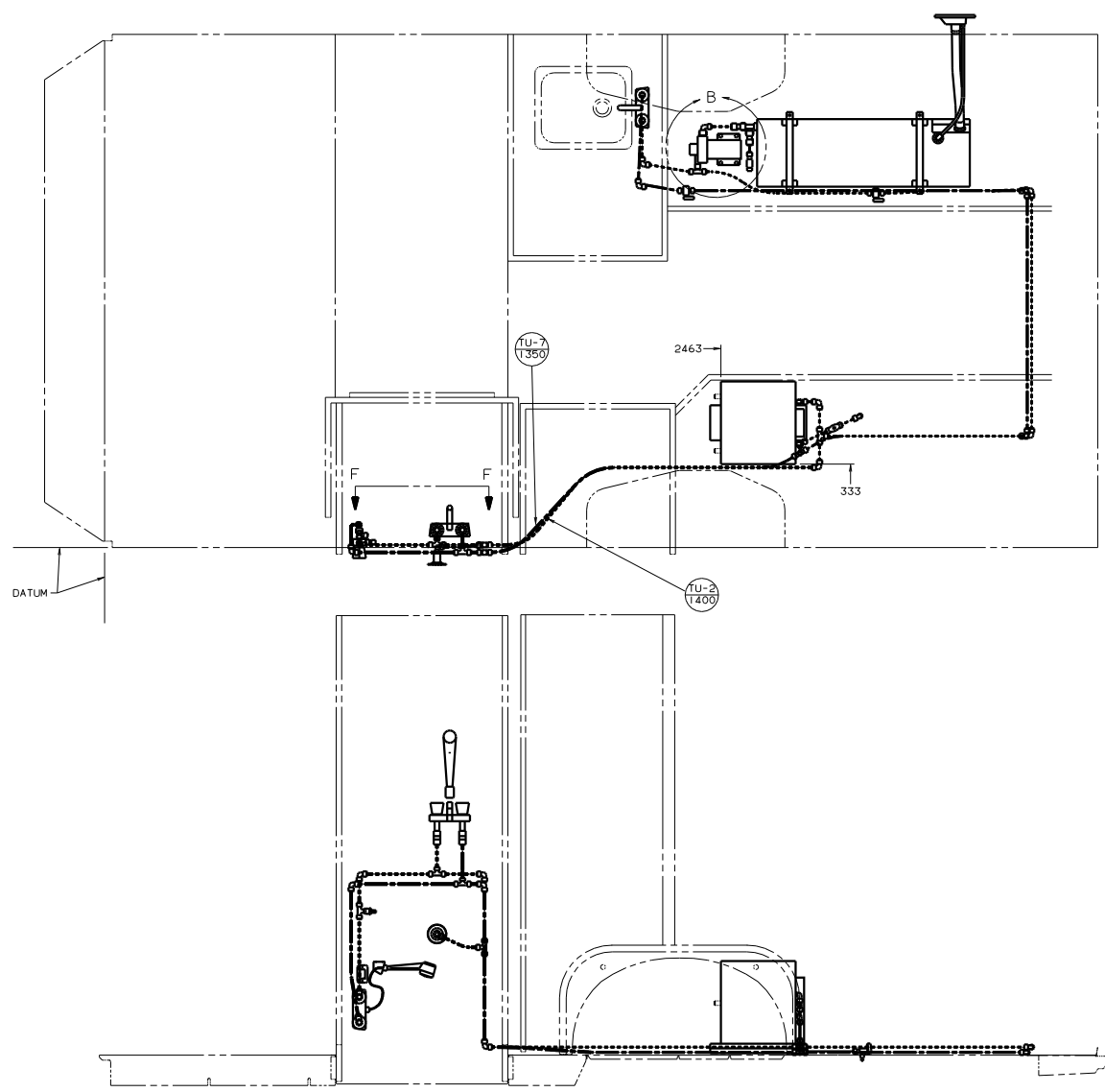


97 222RD
JAPAN EXPORT

04L JAPAN EXPORT PKG

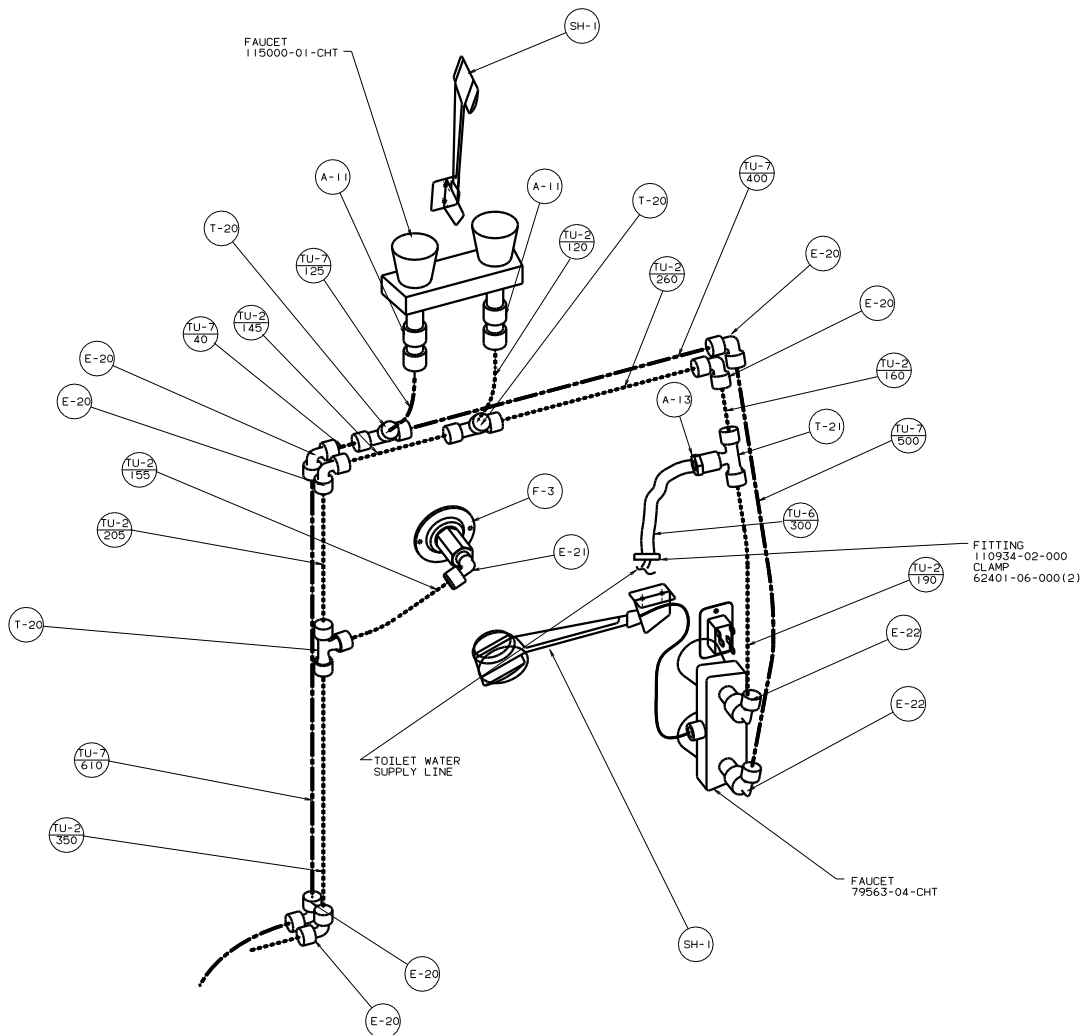
| | | | |
|----------------------|----------|-----------------------|--|
| TITLE | | DRAINAGE SYSTEM INSTL | |
| DO NOT SCALE DRAWING | FIG. NO. | 126231 | |
| SHEET 2 OF 2 | REV. | | |





97 222RD
JAPAN EXPORT

| | |
|---------------------------|----------------|
| TITLE: WATER SYSTEM INSTL | |
| DATE: 11/16 | REV: 1 |
| SHEET 3 OF 4 | DWG NO: 124555 |



VIEW F-F
JAPANESE

| | | | |
|---------------|---|--------------------|--------|
| TITLE | | WATER SYSTEM INSTL | |
| NO. OF SHEETS | 4 | SHEET | 4 OF 4 |
| REV. | 1 | DATE | 11/8 |
| DRAWING NO. | | 124555 | |