

5. EXPOSED PIPE ABOVE ROOF TO BE PAINTED 37163-01-000.
4. ALL EXTERIOR OPENINGS AROUND PIPE TO BE SEALED WITH 69637-01-000.
3. ALL PIPE AND FITTINGS TO BE ASSEMBLED WITH SOLVENT 4020-01-000.
2. SLOPE OF TRAP ARM MUST BE 6 PER 305.
1. SLOPE OF HORIZONTAL PIPING TO BE 6 PER 305 MIN.

(10) 1A7 SHOWER PACKAGE WITHOUT.

(9) 1A0 SHOWER PACKAGE.

(8) VENT PIPE MUST PROJECT 51 MM MIN AND 63.5 MM MAX ABOVE ROOF FOR PROPER FIT AND FUNCTION.

(7) SEE DWG 61607-01-000 FOR INSTALLATION OF GROMMET.

6. FOR CANADIAN UNITS EACH HOLDING TANK SHALL HAVE A CSA APPROVAL STAMPED NEAR THE TAMPO APPROVAL.

(12) NOT USED ON CANADIAN UNIT.

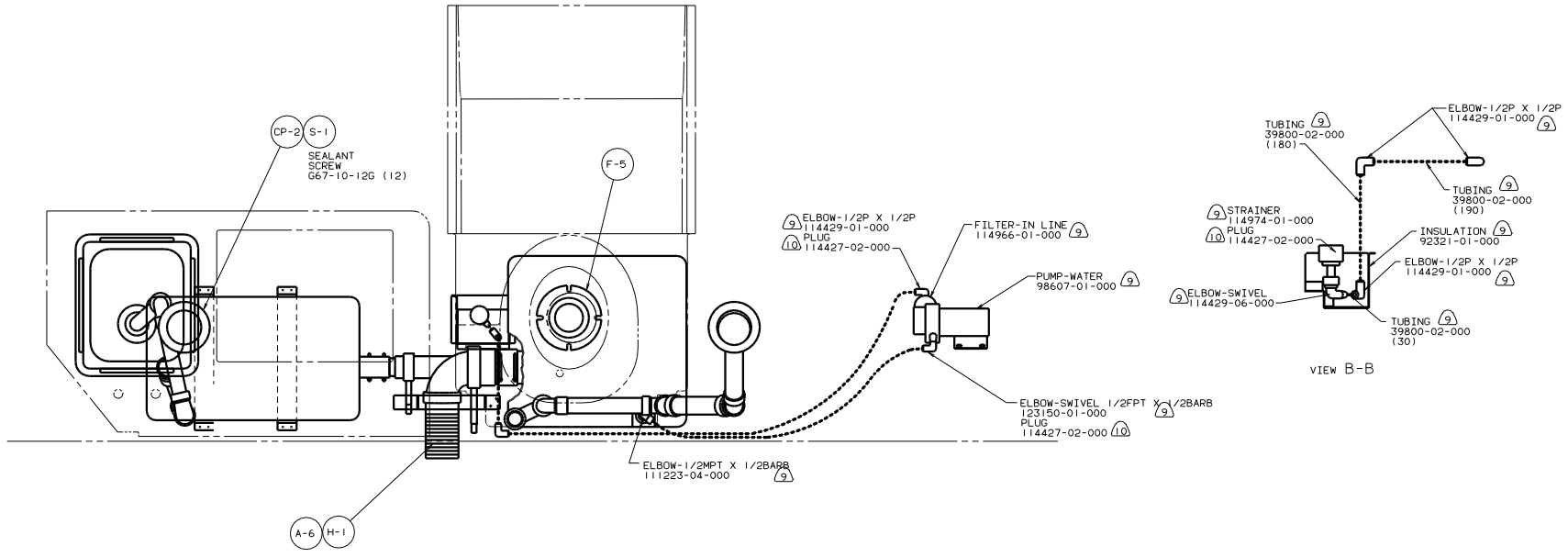
(11) USE SCRAP CLOSED CELL NEOPRENE FROM 77075-01..02 OR -03 ON BRACKETS FOR VIBRATION DAMPENING.

222RC/RT US/CANADIAN
 181 CODE STANDARDS-USA
 265 CODE STANDARDS-CSA

FOR DRAINAGE CALLOUTS SEE DWG NO. 116229-01-000

DRAWING NO. 2221R16		TITLE: DRAINAGE SYSTEM INSTL	
DATE	DATE	UNDESIGNED TOLERANCES ARE:	MATERIAL
DATE	DATE	FRONT VIEW (R.A.)	FRONT VIEW (R.A.)
DATE	DATE	FRONT VIEW (R.A.)	FRONT VIEW (R.A.)
DATE	DATE	FRONT VIEW (R.A.)	FRONT VIEW (R.A.)
DATE	DATE	FRONT VIEW (R.A.)	FRONT VIEW (R.A.)
DATE	DATE	FRONT VIEW (R.A.)	FRONT VIEW (R.A.)
DATE	DATE	FRONT VIEW (R.A.)	FRONT VIEW (R.A.)
DATE	DATE	FRONT VIEW (R.A.)	FRONT VIEW (R.A.)
DATE	DATE	FRONT VIEW (R.A.)	FRONT VIEW (R.A.)
DATE	DATE	FRONT VIEW (R.A.)	FRONT VIEW (R.A.)
DATE	DATE	FRONT VIEW (R.A.)	FRONT VIEW (R.A.)

WINNEBAGO 97 222 RC/RT
 SHEET 1 OF 2
 REF: 119111



CP-2 S-1
SEALANT
SCREW
G67-10-12G (12)

F-5

ELBOW-1/2P X 1/2P
114429-01-000
PLUG
114427-02-000

FILTER-IN LINE
114966-01-000

PUMP-WATER
98607-01-000

ELBOW-SWIVEL 1/2FPT X 1/2BARB
123150-01-000
PLUG
114427-02-000

ELBOW-1/2MPT X 1/2BARB
111223-04-000

TUBING
39800-02-000
(180)

ELBOW-1/2P X 1/2P
114429-01-000

TUBING
39800-02-000
(190)

STRAINER
114974-01-000
PLUG
114427-02-000

INSULATION
92321-01-000

ELBOW-1/2P X 1/2P
114429-01-000

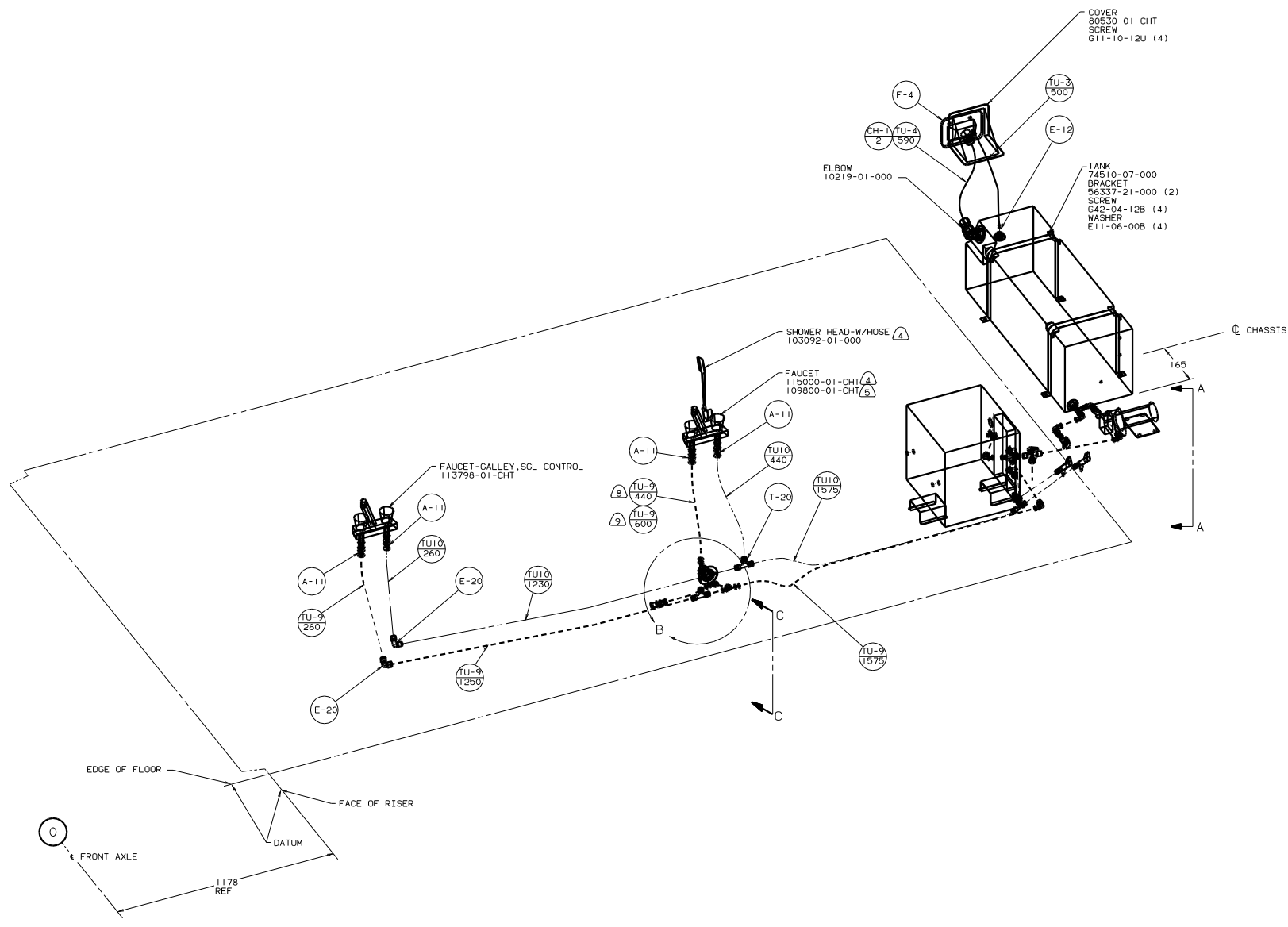
TUBING
39800-02-000
(30)

ELBOW-SWIVEL
114429-06-000

VIEW B-B

A-6 H-1

VIEW A-A



- (7) USE WITHOUT EXTERIOR SHOWER.
 - (6) USE WITH EXTERIOR SHOWER ONLY.
 - (5) USE WITHOUT SHOWER SUMP SYSTEM.
 - (4) USE WITH SHOWER SUMP SYSTEM.
 - (1) USE ON 98 MODELS.
 - (10) USE ON 97 MODELS.
 - (9) USE WITH WIE EXPORT PREP PACKAGE.
 - (8) USE WITHOUT W.I.E. EXPORT PREP PACKAGE.
3. ALL TUBING TO BE SECURED AT 1200 INTERVALS MAXIMUM WITH CLAMP 10495-01-000 OR CLIP 91951-01-000 AND SCREW G67-10-12B.
 2. TUBING TO BE INSTALLED WITH SUFFICIENT SLOPE TO PROVIDE DRAINAGE TO NEAREST VALVE.
 1. PLASTIC FITTINGS TO BE SEALED WITH SEALANT 84456-01-000

NOTES:

FOR WATER CALLOUTS SEE DWG NO. 116230-01-000

LEGEND	
HOT	-----
COLD	*****

WINNEBAGO 96 221RC			
OF IT	DATE	UNSPECIFIED TOLERANCES ARE:	MATERIAL
COMP	DATE	WHOLE DIM (IN)	F
F/F	DATE	ONE-PLACE (IN.XI)	F
F/E	DATE	TWO-PLACE (IN.XXX)	F
F/C	DATE	MILL	F
COMP	DATE	THIRD-PLACE (IN.XXX)	F
PRODUCED BY	DATE	PRODUCTION	F
LAUNCH NO. 221R16	TITLE WATER SYSTEM INSTL	REV. 1	119075
SHEET 1 OF 2	DATE	SCALE	1:1

