



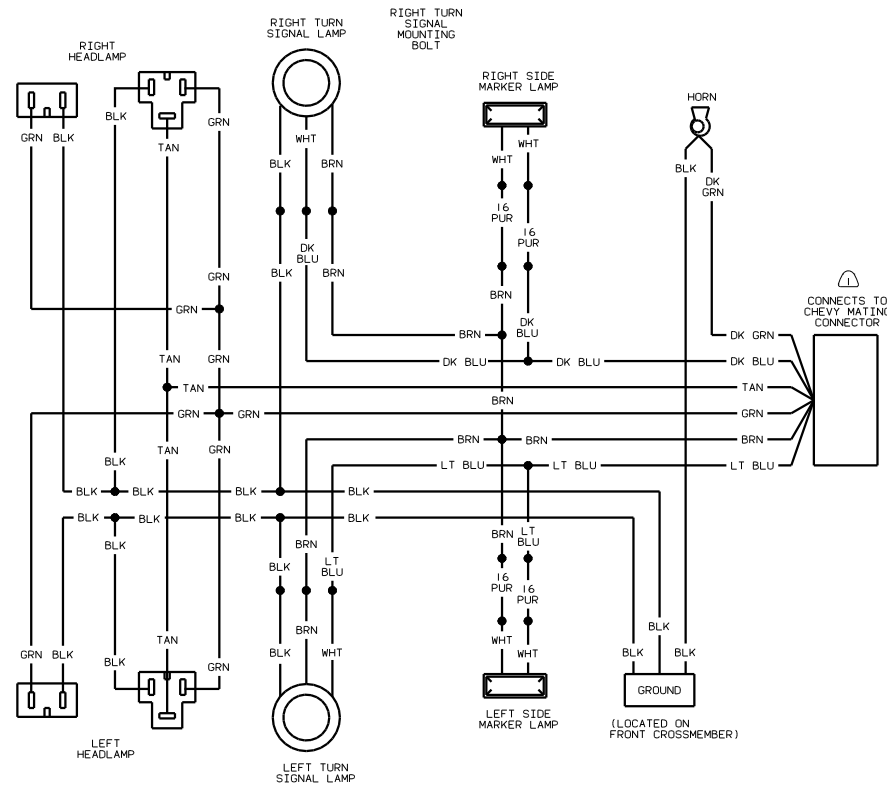
DANGER

Danger of electrical shock, burns or death. Always remove all power sources before attempting any repair, service or diagnostic work. Power can be present from shore power, generator, inverter or battery. All power sources must be disabled and secured before performing any service.



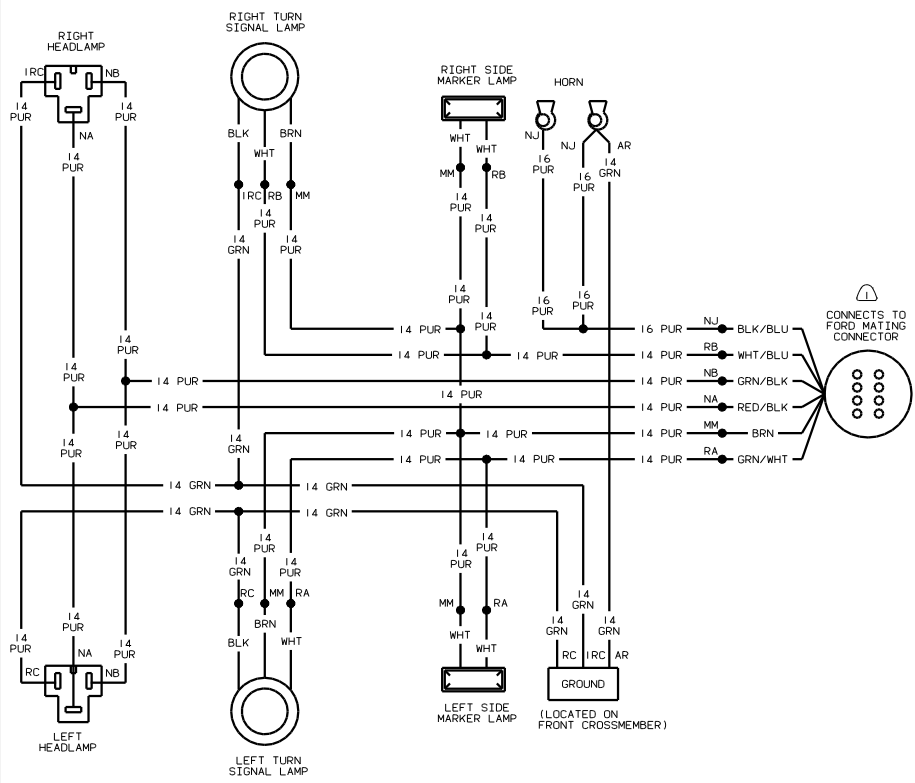
CAUTION

If you lack the skills, tools or equipment to perform diagnostic or repair work leave such work to an authorized Winnebago Industries dealer or other qualified shop.



WIRING DIAGRAM-HEADLAMP
 (CHEVY CHASSIS)
 (WIRE ASM 121908)

1. SEE MANUFACTURERS DIAGRAM FOR ADDITIONAL INFORMATION.



WIRING DIAGRAM-HEADLAMP
 (FORD CHASSIS)
 (WIRE ASM 121908-02)

WINNEBAGO		97 D-SERIES	
OF IN	DATE	UNSPECIFIED TOLERANCES ARE:	INVERTICAL
CHP	DATE	WHOLE DIM (1)	+
FIN	DATE	ONE-PLACE (1.01)	+
PL	DATE	TWO-PLACE (1.00)	+
COLR	DATE	THREE-PLACE (1.00)	+
PROJ	DATE	FOUR-PLACE (1.00)	+
SCALE	DATE	FIVE-PLACE (1.00)	+
NO	DATE	SIX-PLACE (1.00)	+
DATE	DATE	SEVEN-PLACE (1.00)	+
DATE	DATE	EIGHT-PLACE (1.00)	+
DATE	DATE	NINE-PLACE (1.00)	+
DATE	DATE	TEN-PLACE (1.00)	+
DATE	DATE	ELEVEN-PLACE (1.00)	+
DATE	DATE	TWELVE-PLACE (1.00)	+
DATE	DATE	THIRTEEN-PLACE (1.00)	+
DATE	DATE	FOURTEEN-PLACE (1.00)	+
DATE	DATE	FIFTEEN-PLACE (1.00)	+
DATE	DATE	SIXTEEN-PLACE (1.00)	+
DATE	DATE	SEVENTEEN-PLACE (1.00)	+
DATE	DATE	EIGHTEEN-PLACE (1.00)	+
DATE	DATE	NINETEEN-PLACE (1.00)	+
DATE	DATE	TWENTY-PLACE (1.00)	+
DATE	DATE	TWENTY-ONE PLACE (1.00)	+
DATE	DATE	TWENTY-TWO PLACE (1.00)	+
DATE	DATE	TWENTY-THREE PLACE (1.00)	+
DATE	DATE	TWENTY-FOUR PLACE (1.00)	+
DATE	DATE	TWENTY-FIVE PLACE (1.00)	+
DATE	DATE	TWENTY-SIX PLACE (1.00)	+
DATE	DATE	TWENTY-SEVEN PLACE (1.00)	+
DATE	DATE	TWENTY-EIGHT PLACE (1.00)	+
DATE	DATE	TWENTY-NINE PLACE (1.00)	+
DATE	DATE	THIRTY PLACE (1.00)	+
DATE	DATE	THIRTY-ONE PLACE (1.00)	+
DATE	DATE	THIRTY-TWO PLACE (1.00)	+
DATE	DATE	THIRTY-THREE PLACE (1.00)	+
DATE	DATE	THIRTY-FOUR PLACE (1.00)	+
DATE	DATE	THIRTY-FIVE PLACE (1.00)	+
DATE	DATE	THIRTY-SIX PLACE (1.00)	+
DATE	DATE	THIRTY-SEVEN PLACE (1.00)	+
DATE	DATE	THIRTY-EIGHT PLACE (1.00)	+
DATE	DATE	THIRTY-NINE PLACE (1.00)	+
DATE	DATE	FOURTY PLACE (1.00)	+
DATE	DATE	FOURTY-ONE PLACE (1.00)	+
DATE	DATE	FOURTY-TWO PLACE (1.00)	+
DATE	DATE	FOURTY-THREE PLACE (1.00)	+
DATE	DATE	FOURTY-FOUR PLACE (1.00)	+
DATE	DATE	FOURTY-FIVE PLACE (1.00)	+
DATE	DATE	FOURTY-SIX PLACE (1.00)	+
DATE	DATE	FOURTY-SEVEN PLACE (1.00)	+
DATE	DATE	FOURTY-EIGHT PLACE (1.00)	+
DATE	DATE	FOURTY-NINE PLACE (1.00)	+
DATE	DATE	FIFTY PLACE (1.00)	+
DATE	DATE	FIFTY-ONE PLACE (1.00)	+
DATE	DATE	FIFTY-TWO PLACE (1.00)	+
DATE	DATE	FIFTY-THREE PLACE (1.00)	+
DATE	DATE	FIFTY-FOUR PLACE (1.00)	+
DATE	DATE	FIFTY-FIVE PLACE (1.00)	+
DATE	DATE	FIFTY-SIX PLACE (1.00)	+
DATE	DATE	FIFTY-SEVEN PLACE (1.00)	+
DATE	DATE	FIFTY-EIGHT PLACE (1.00)	+
DATE	DATE	FIFTY-NINE PLACE (1.00)	+
DATE	DATE	SIXTY PLACE (1.00)	+
DATE	DATE	SIXTY-ONE PLACE (1.00)	+
DATE	DATE	SIXTY-TWO PLACE (1.00)	+
DATE	DATE	SIXTY-THREE PLACE (1.00)	+
DATE	DATE	SIXTY-FOUR PLACE (1.00)	+
DATE	DATE	SIXTY-FIVE PLACE (1.00)	+
DATE	DATE	SIXTY-SIX PLACE (1.00)	+
DATE	DATE	SIXTY-SEVEN PLACE (1.00)	+
DATE	DATE	SIXTY-EIGHT PLACE (1.00)	+
DATE	DATE	SIXTY-NINE PLACE (1.00)	+
DATE	DATE	SEVENTY PLACE (1.00)	+
DATE	DATE	SEVENTY-ONE PLACE (1.00)	+
DATE	DATE	SEVENTY-TWO PLACE (1.00)	+
DATE	DATE	SEVENTY-THREE PLACE (1.00)	+
DATE	DATE	SEVENTY-FOUR PLACE (1.00)	+
DATE	DATE	SEVENTY-FIVE PLACE (1.00)	+
DATE	DATE	SEVENTY-SIX PLACE (1.00)	+
DATE	DATE	SEVENTY-SEVEN PLACE (1.00)	+
DATE	DATE	SEVENTY-EIGHT PLACE (1.00)	+
DATE	DATE	SEVENTY-NINE PLACE (1.00)	+
DATE	DATE	EIGHTY PLACE (1.00)	+
DATE	DATE	EIGHTY-ONE PLACE (1.00)	+
DATE	DATE	EIGHTY-TWO PLACE (1.00)	+
DATE	DATE	EIGHTY-THREE PLACE (1.00)	+
DATE	DATE	EIGHTY-FOUR PLACE (1.00)	+
DATE	DATE	EIGHTY-FIVE PLACE (1.00)	+
DATE	DATE	EIGHTY-SIX PLACE (1.00)	+
DATE	DATE	EIGHTY-SEVEN PLACE (1.00)	+
DATE	DATE	EIGHTY-EIGHT PLACE (1.00)	+
DATE	DATE	EIGHTY-NINE PLACE (1.00)	+
DATE	DATE	NINETY PLACE (1.00)	+
DATE	DATE	NINETY-ONE PLACE (1.00)	+
DATE	DATE	NINETY-TWO PLACE (1.00)	+
DATE	DATE	NINETY-THREE PLACE (1.00)	+
DATE	DATE	NINETY-FOUR PLACE (1.00)	+
DATE	DATE	NINETY-FIVE PLACE (1.00)	+
DATE	DATE	NINETY-SIX PLACE (1.00)	+
DATE	DATE	NINETY-SEVEN PLACE (1.00)	+
DATE	DATE	NINETY-EIGHT PLACE (1.00)	+
DATE	DATE	NINETY-NINE PLACE (1.00)	+
DATE	DATE	HUNDRED PLACE (1.00)	+

