



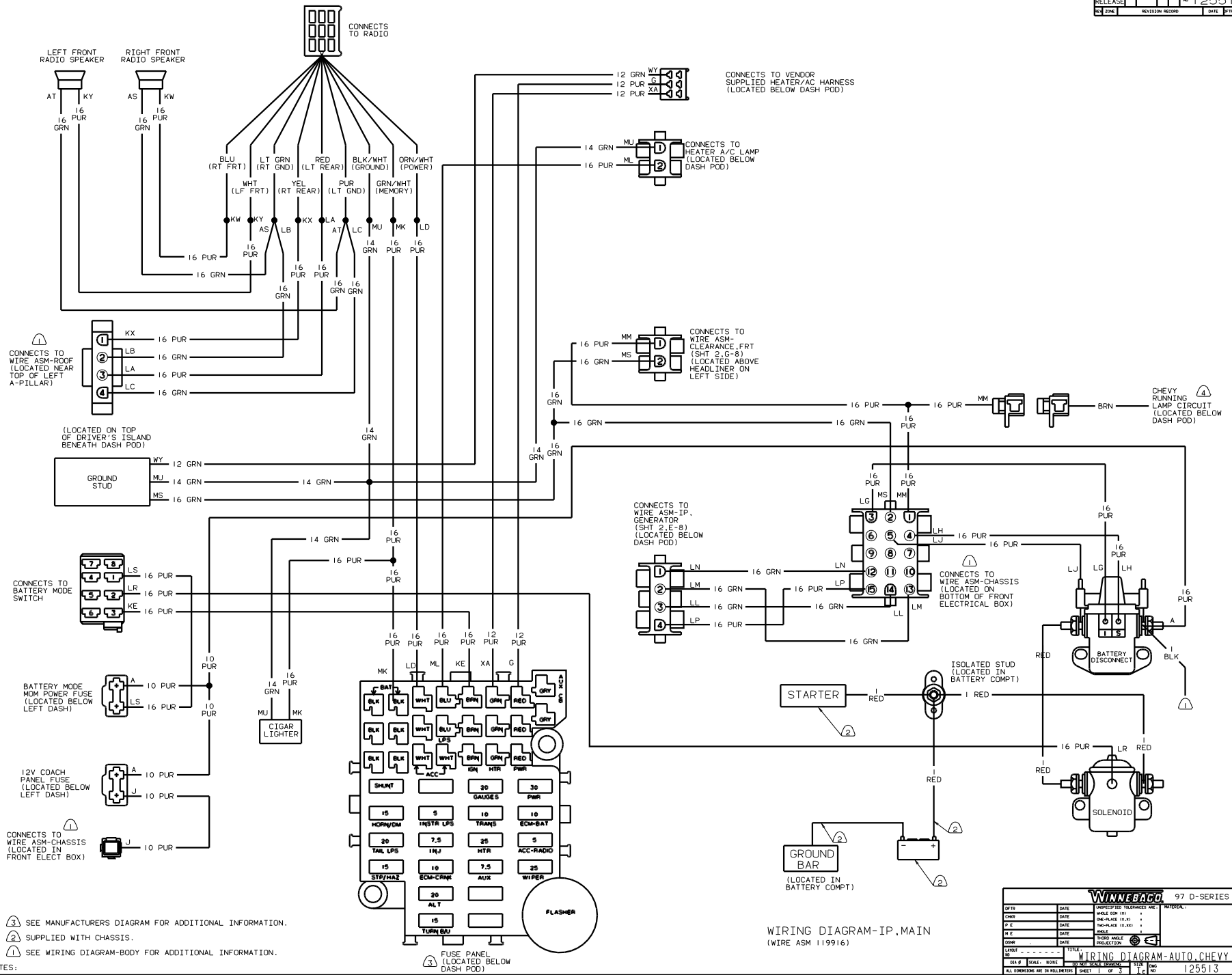
**DANGER**

**Danger of electrical shock, burns or death.** Always remove all power sources before attempting any repair, service or diagnostic work. Power can be present from shore power, generator, inverter or battery. All power sources must be disabled and secured before performing any service.



**CAUTION**

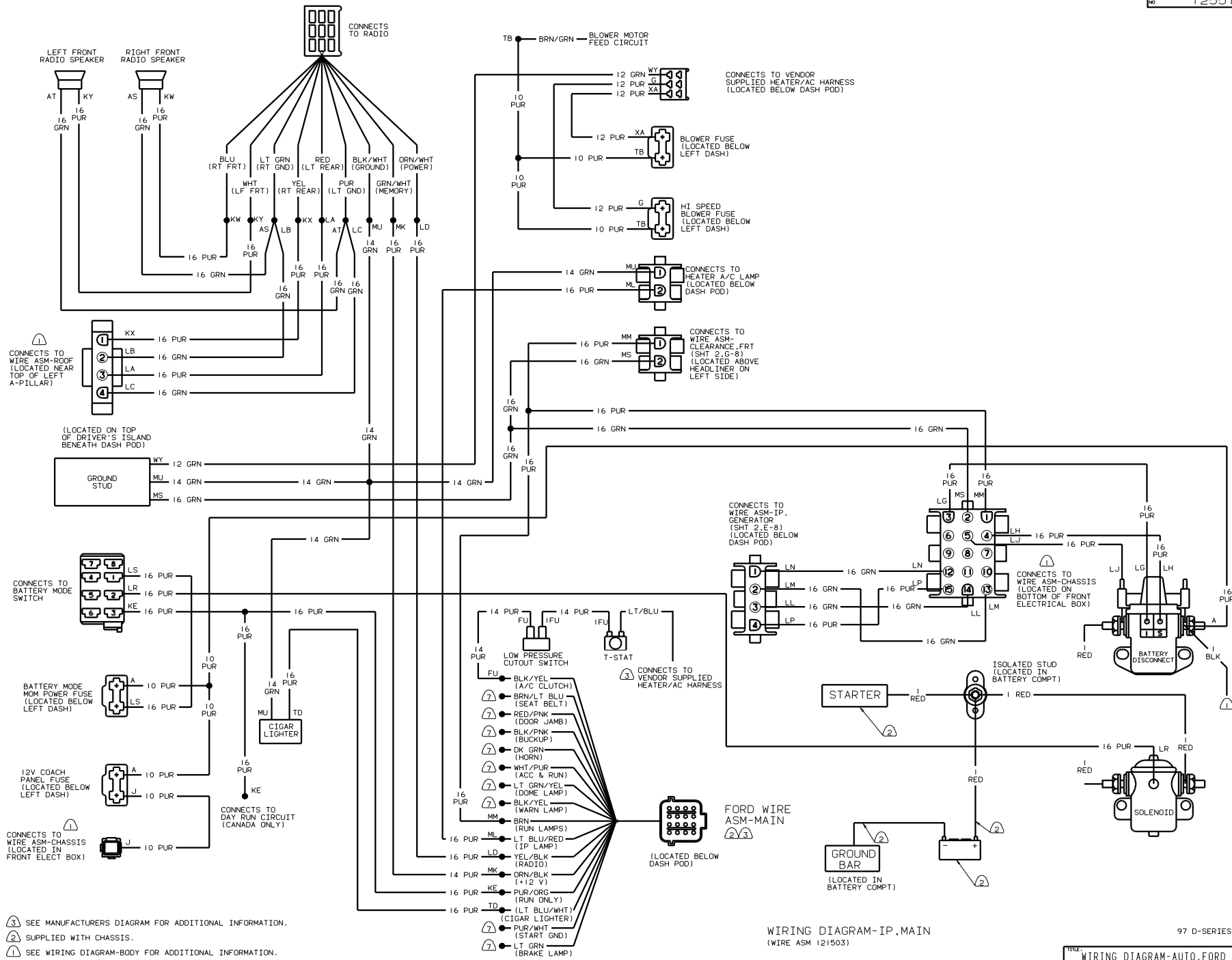
If you lack the skills, tools or equipment to perform diagnostic or repair work leave such work to an authorized Winnebago Industries dealer or other qualified shop.



- ③ SEE MANUFACTURERS DIAGRAM FOR ADDITIONAL INFORMATION.
- ② SUPPLIED WITH CHASSIS.
- ① SEE WIRING DIAGRAM-BODY FOR ADDITIONAL INFORMATION.

WIRING DIAGRAM-IP,MAIN  
(WIRE ASM 119916)

WINNEBAGO		97 D-SERIES	
DATE	UNDESIGNED TOLERANCES ARE:	MATERIAL	
DATE	WHOLE OR 1/16"	.005	
DATE	ONE-PLACE (1/32)"	.010	
DATE	TWO-PLACE (1/64)"	.020	
DATE	THREE-PLACE (1/128)"	.030	
DATE	FOUR-PLACE (1/256)"	.040	
DATE	FIVE-PLACE (1/512)"	.050	
DATE	SIX-PLACE (1/1024)"	.060	
DATE	SEVEN-PLACE (1/2048)"	.070	
DATE	EIGHT-PLACE (1/4096)"	.080	
DATE	NINE-PLACE (1/8192)"	.090	
DATE	TEN-PLACE (1/16384)"	.100	
DATE	ELEVEN-PLACE (1/32768)"	.110	
DATE	TWELVE-PLACE (1/65536)"	.120	
DATE	THIRTEEN-PLACE (1/131072)"	.130	
DATE	FOURTEEN-PLACE (1/262144)"	.140	
DATE	FIFTEEN-PLACE (1/524288)"	.150	
DATE	SIXTEEN-PLACE (1/1048576)"	.160	
DATE	SEVENTEEN-PLACE (1/2097152)"	.170	
DATE	EIGHTEEN-PLACE (1/4194304)"	.180	
DATE	NINETEEN-PLACE (1/8388608)"	.190	
DATE	TWENTY-PLACE (1/16777216)"	.200	
DATE	ONE-PLACE (1/16)"	.001	
DATE	TWO-PLACE (1/32)"	.002	
DATE	THREE-PLACE (1/48)"	.003	
DATE	FOUR-PLACE (1/64)"	.004	
DATE	FIVE-PLACE (1/80)"	.005	
DATE	SIX-PLACE (1/96)"	.006	
DATE	SEVEN-PLACE (1/112)"	.007	
DATE	EIGHT-PLACE (1/128)"	.008	
DATE	NINE-PLACE (1/144)"	.009	
DATE	TEN-PLACE (1/160)"	.010	
DATE	ELEVEN-PLACE (1/176)"	.011	
DATE	TWELVE-PLACE (1/192)"	.012	
DATE	THIRTEEN-PLACE (1/208)"	.013	
DATE	FOURTEEN-PLACE (1/224)"	.014	
DATE	FIFTEEN-PLACE (1/240)"	.015	
DATE	SIXTEEN-PLACE (1/256)"	.016	
DATE	SEVENTEEN-PLACE (1/272)"	.017	
DATE	EIGHTEEN-PLACE (1/288)"	.018	
DATE	NINETEEN-PLACE (1/304)"	.019	
DATE	TWENTY-PLACE (1/320)"	.020	
DATE	ONE-PLACE (1/16)"	.001	
DATE	TWO-PLACE (1/32)"	.002	
DATE	THREE-PLACE (1/48)"	.003	
DATE	FOUR-PLACE (1/64)"	.004	
DATE	FIVE-PLACE (1/80)"	.005	
DATE	SIX-PLACE (1/96)"	.006	
DATE	SEVEN-PLACE (1/112)"	.007	
DATE	EIGHT-PLACE (1/128)"	.008	
DATE	NINE-PLACE (1/144)"	.009	
DATE	TEN-PLACE (1/160)"	.010	
DATE	ELEVEN-PLACE (1/176)"	.011	
DATE	TWELVE-PLACE (1/192)"	.012	
DATE	THIRTEEN-PLACE (1/208)"	.013	
DATE	FOURTEEN-PLACE (1/224)"	.014	
DATE	FIFTEEN-PLACE (1/240)"	.015	
DATE	SIXTEEN-PLACE (1/256)"	.016	
DATE	SEVENTEEN-PLACE (1/272)"	.017	
DATE	EIGHTEEN-PLACE (1/288)"	.018	
DATE	NINETEEN-PLACE (1/304)"	.019	
DATE	TWENTY-PLACE (1/320)"	.020	
DATE	ONE-PLACE (1/16)"	.001	
DATE	TWO-PLACE (1/32)"	.002	
DATE	THREE-PLACE (1/48)"	.003	
DATE	FOUR-PLACE (1/64)"	.004	
DATE	FIVE-PLACE (1/80)"	.005	
DATE	SIX-PLACE (1/96)"	.006	
DATE	SEVEN-PLACE (1/112)"	.007	
DATE	EIGHT-PLACE (1/128)"	.008	
DATE	NINE-PLACE (1/144)"	.009	
DATE	TEN-PLACE (1/160)"	.010	
DATE	ELEVEN-PLACE (1/176)"	.011	
DATE	TWELVE-PLACE (1/192)"	.012	
DATE	THIRTEEN-PLACE (1/208)"	.013	
DATE	FOURTEEN-PLACE (1/224)"	.014	
DATE	FIFTEEN-PLACE (1/240)"	.015	
DATE	SIXTEEN-PLACE (1/256)"	.016	
DATE	SEVENTEEN-PLACE (1/272)"	.017	
DATE	EIGHTEEN-PLACE (1/288)"	.018	
DATE	NINETEEN-PLACE (1/304)"	.019	
DATE	TWENTY-PLACE (1/320)"	.020	
DATE	ONE-PLACE (1/16)"	.001	
DATE	TWO-PLACE (1/32)"	.002	
DATE	THREE-PLACE (1/48)"	.003	
DATE	FOUR-PLACE (1/64)"	.004	
DATE	FIVE-PLACE (1/80)"	.005	
DATE	SIX-PLACE (1/96)"	.006	
DATE	SEVEN-PLACE (1/112)"	.007	
DATE	EIGHT-PLACE (1/128)"	.008	
DATE	NINE-PLACE (1/144)"	.009	
DATE	TEN-PLACE (1/160)"	.010	
DATE	ELEVEN-PLACE (1/176)"	.011	
DATE	TWELVE-PLACE (1/192)"	.012	
DATE	THIRTEEN-PLACE (1/208)"	.013	
DATE	FOURTEEN-PLACE (1/224)"	.014	
DATE	FIFTEEN-PLACE (1/240)"	.015	
DATE	SIXTEEN-PLACE (1/256)"	.016	
DATE	SEVENTEEN-PLACE (1/272)"	.017	
DATE	EIGHTEEN-PLACE (1/288)"	.018	
DATE	NINETEEN-PLACE (1/304)"	.019	
DATE	TWENTY-PLACE (1/320)"	.020	
DATE	ONE-PLACE (1/16)"	.001	
DATE	TWO-PLACE (1/32)"	.002	
DATE	THREE-PLACE (1/48)"	.003	
DATE	FOUR-PLACE (1/64)"	.004	
DATE	FIVE-PLACE (1/80)"	.005	
DATE	SIX-PLACE (1/96)"	.006	
DATE	SEVEN-PLACE (1/112)"	.007	
DATE	EIGHT-PLACE (1/128)"	.008	
DATE	NINE-PLACE (1/144)"	.009	
DATE	TEN-PLACE (1/160)"	.010	
DATE	ELEVEN-PLACE (1/176)"	.011	
DATE	TWELVE-PLACE (1/192)"	.012	
DATE	THIRTEEN-PLACE (1/208)"	.013	
DATE	FOURTEEN-PLACE (1/224)"	.014	
DATE	FIFTEEN-PLACE (1/240)"	.015	
DATE	SIXTEEN-PLACE (1/256)"	.016	
DATE	SEVENTEEN-PLACE (1/272)"	.017	
DATE	EIGHTEEN-PLACE (1/288)"	.018	
DATE	NINETEEN-PLACE (1/304)"	.019	
DATE	TWENTY-PLACE (1/320)"	.020	
DATE	ONE-PLACE (1/16)"	.001	
DATE	TWO-PLACE (1/32)"	.002	
DATE	THREE-PLACE (1/48)"	.003	
DATE	FOUR-PLACE (1/64)"	.004	
DATE	FIVE-PLACE (1/80)"	.005	
DATE	SIX-PLACE (1/96)"	.006	
DATE	SEVEN-PLACE (1/112)"	.007	
DATE	EIGHT-PLACE (1/128)"	.008	
DATE	NINE-PLACE (1/144)"	.009	
DATE	TEN-PLACE (1/160)"	.010	
DATE	ELEVEN-PLACE (1/176)"	.011	
DATE	TWELVE-PLACE (1/192)"	.012	
DATE	THIRTEEN-PLACE (1/208)"	.013	
DATE	FOURTEEN-PLACE (1/224)"	.014	
DATE	FIFTEEN-PLACE (1/240)"	.015	
DATE	SIXTEEN-PLACE (1/256)"	.016	
DATE	SEVENTEEN-PLACE (1/272)"	.017	
DATE	EIGHTEEN-PLACE (1/288)"	.018	
DATE	NINETEEN-PLACE (1/304)"	.019	
DATE	TWENTY-PLACE (1/320)"	.020	
DATE	ONE-PLACE (1/16)"	.001	
DATE	TWO-PLACE (1/32)"	.002	
DATE	THREE-PLACE (1/48)"	.003	
DATE	FOUR-PLACE (1/64)"	.004	
DATE	FIVE-PLACE (1/80)"	.005	
DATE	SIX-PLACE (1/96)"	.006	
DATE	SEVEN-PLACE (1/112)"	.007	
DATE	EIGHT-PLACE (1/128)"	.008	
DATE	NINE-PLACE (1/144)"	.009	
DATE	TEN-PLACE (1/160)"	.010	
DATE	ELEVEN-PLACE (1/176)"	.011	
DATE	TWELVE-PLACE (1/192)"	.012	
DATE	THIRTEEN-PLACE (1/208)"	.013	
DATE	FOURTEEN-PLACE (1/224)"	.014	
DATE	FIFTEEN-PLACE (1/240)"	.015	
DATE	SIXTEEN-PLACE (1/256)"	.016	
DATE	SEVENTEEN-PLACE (1/272)"	.017	
DATE	EIGHTEEN-PLACE (1/288)"	.018	
DATE	NINETEEN-PLACE (1/304)"	.019	
DATE	TWENTY-PLACE (1/320)"	.020	
DATE	ONE-PLACE (1/16)"	.001	
DATE	TWO-PLACE (1/32)"	.002	
DATE	THREE-PLACE (1/48)"	.003	
DATE	FOUR-PLACE (1/64)"	.004	
DATE	FIVE-PLACE (1/80)"	.005	
DATE	SIX-PLACE (1/96)"	.006	
DATE	SEVEN-PLACE (1/112)"	.007	
DATE	EIGHT-PLACE (1/128)"	.008	
DATE	NINE-PLACE (1/144)"	.009	
DATE	TEN-PLACE (1/160)"	.010	
DATE	ELEVEN-PLACE (1/176)"	.011	
DATE	TWELVE-PLACE (1/192)"	.012	
DATE	THIRTEEN-PLACE (1/208)"	.013	
DATE	FOURTEEN-PLACE (1/224)"	.014	
DATE	FIFTEEN-PLACE (1/240)"	.015	
DATE	SIXTEEN-PLACE (1/256)"	.016	
DATE	SEVENTEEN-PLACE (1/272)"	.017	
DATE	EIGHTEEN-PLACE (1/288)"	.018	
DATE	NINETEEN-PLACE (1/304)"	.019	
DATE	TWENTY-PLACE (1/320)"	.020	
DATE	ONE-PLACE (1/16)"	.001	
DATE	TWO-PLACE (1/32)"	.002	
DATE	THREE-PLACE (1/48)"	.003	
DATE	FOUR-PLACE (1/64)"	.004	
DATE	FIVE-PLACE (1/80)"	.005	
DATE	SIX-PLACE (1/96)"	.006	
DATE	SEVEN-PLACE (1/112)"	.007	
DATE	EIGHT-PLACE (1/128)"	.008	
DATE	NINE-PLACE (1/144)"	.009	
DATE	TEN-PLACE (1/160)"	.010	
DATE	ELEVEN-PLACE (1/176)"	.011	
DATE	TWELVE-PLACE (1/192)"	.012	
DATE	THIRTEEN-PLACE (1/208)"	.013	
DATE	FOURTEEN-PLACE (1/224)"	.014	
DATE	FIFTEEN-PLACE (1/240)"	.015	
DATE	SIXTEEN-PLACE (1/256)"	.016	
DATE	SEVENTEEN-PLACE (1/272)"	.017	
DATE	EIGHTEEN-PLACE (1/288)"	.018	
DATE	NINETEEN-PLACE (1/304)"	.019	
DATE	TWENTY-PLACE (1/320)"	.020	

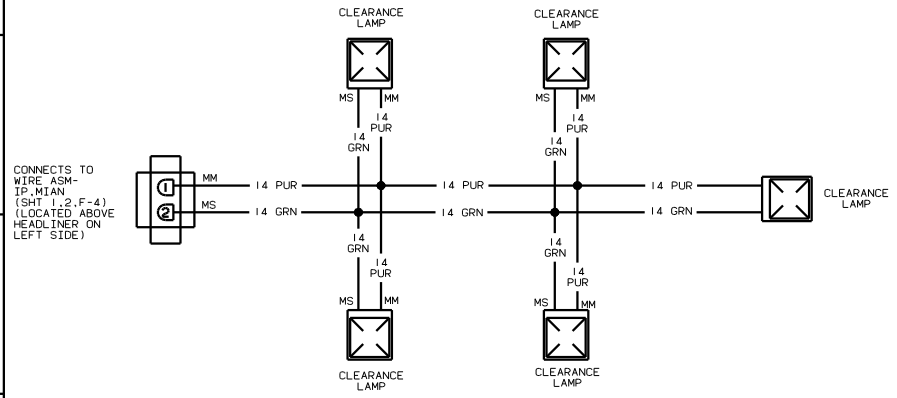


③ SEE MANUFACTURERS DIAGRAM FOR ADDITIONAL INFORMATION.  
 ② SUPPLIED WITH CHASSIS.  
 ① SEE WIRING DIAGRAM-BODY FOR ADDITIONAL INFORMATION.

WIRING DIAGRAM-IP,MAIN  
 (WIRE ASM 121503)

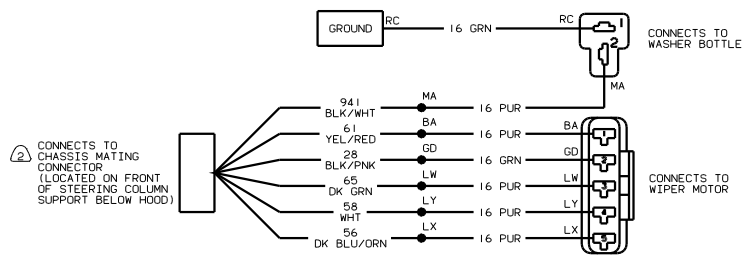
97 D-SERIES

FILE	WIRING DIAGRAM-AUTO, FORD
NO. OF SHEETS	3
SHEET	2 OF 3
REV	1 E
DATE	125513



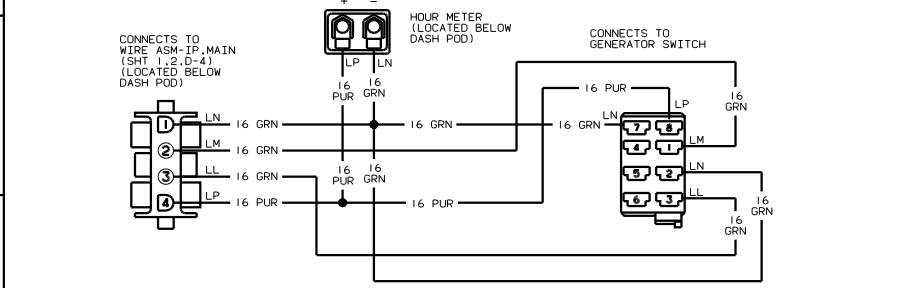
CONNECTS TO WIRE ASM-IP, MAIN (SHT 1, 2, D-4) (LOCATED ABOVE HEADLINER ON LEFT SIDE)

WIRING DIAGRAM-CLEARANCE LAMPS, FRT (WIRE ASM 109979)



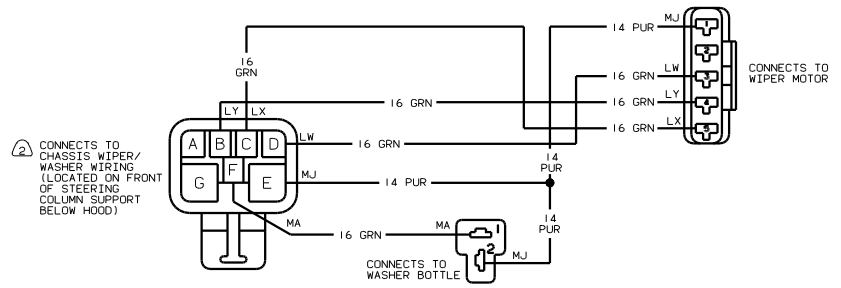
CONNECTS TO CHASSIS MATING CONNECTOR (LOCATED ON FRONT OF STEERING COLUMN SUPPORT BELOW HOOD)

WIRING DIAGRAM-WIPER/WASHER (WIRE ASM 111096-03) (FORD ONLY)



CONNECTS TO WIRE ASM-IP, MAIN (SHT 1, 2, D-4) (LOCATED BELOW DASH POD)

WIRING DIAGRAM-IP, GENERATOR SWITCH (WIRE ASM 109818-02)



CONNECTS TO CHASSIS WIPER/WASHER WIRING (LOCATED ON FRONT OF STEERING COLUMN SUPPORT BELOW HOOD)

WIRING DIAGRAM-WIPER/WASHER (WIRE ASM 113134-03) (GM ONLY)

SEE MANUFACTURER'S DIAGRAM FOR ADDITIONAL INFORMATION.  
SEE WIRING DIAGRAM-BODY FOR ADDITIONAL INFORMATION.