



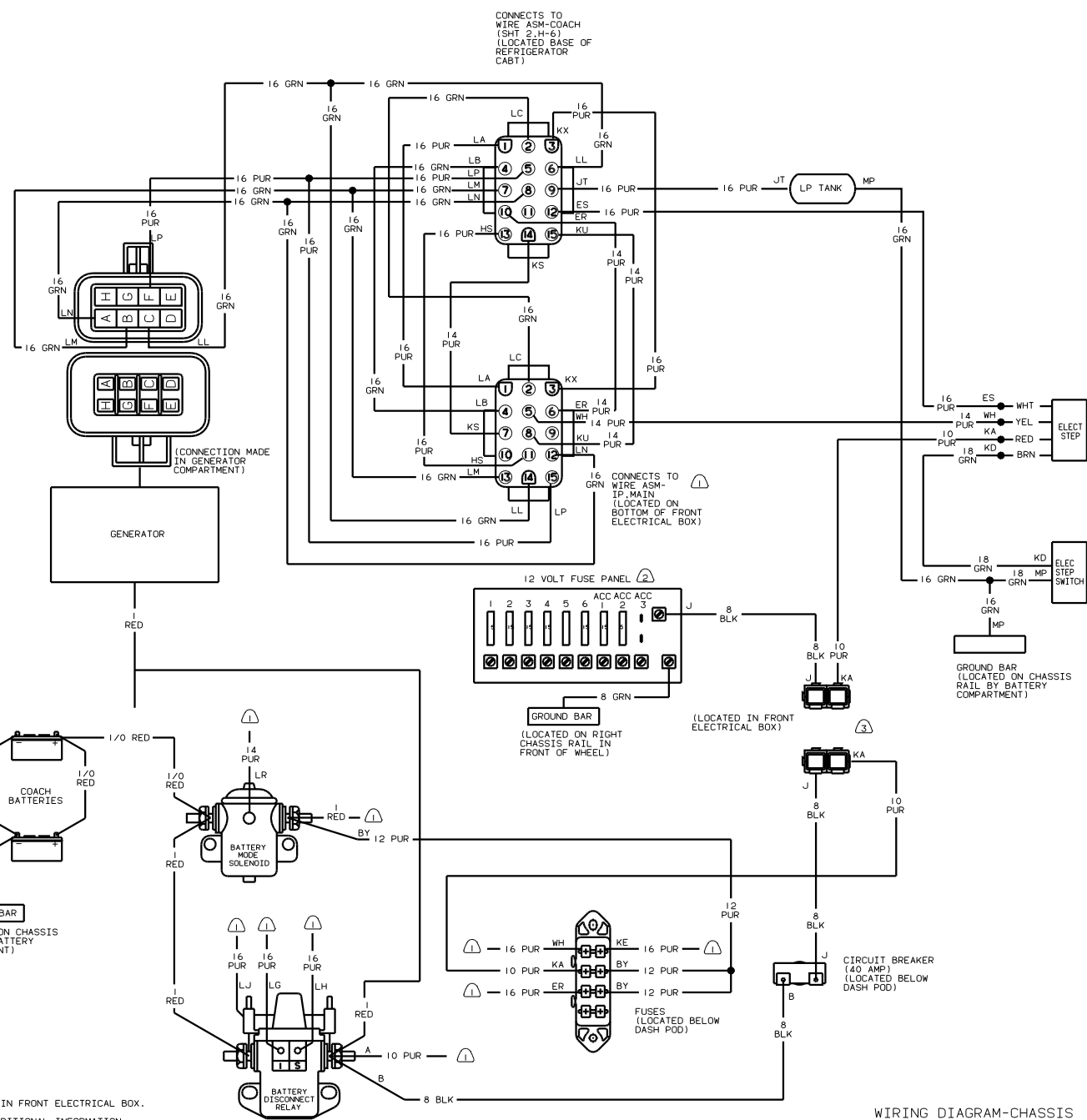
DANGER

Danger of electrical shock, burns or death. Always remove all power sources before attempting any repair, service or diagnostic work. Power can be present from shore power, generator, inverter or battery. All power sources must be disabled and secured before performing any service.



CAUTION

If you lack the skills, tools or equipment to perform diagnostic or repair work leave such work to an authorized Winnebago Industries dealer or other qualified shop.

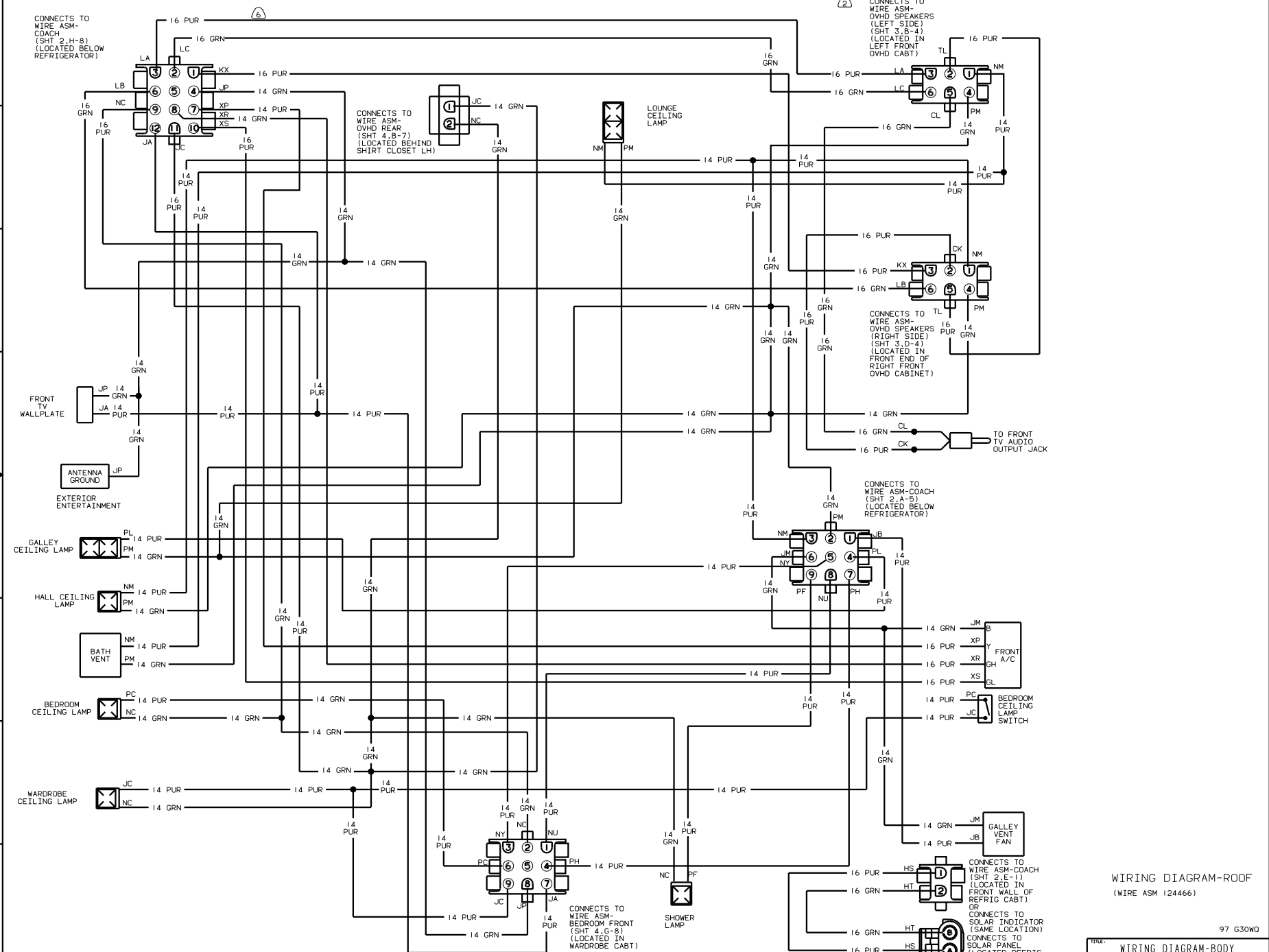


- ③ CONNECTION MADE IN FRONT ELECTRICAL BOX.
- ② SEE SHT 2 FOR ADDITIONAL INFORMATION.
- ① SEE WIRING DIAGRAM-AUTO FOR ADDITIONAL INFORMATION.

NOTES:
 Copyright 2005 Winnebago Industries, Inc.

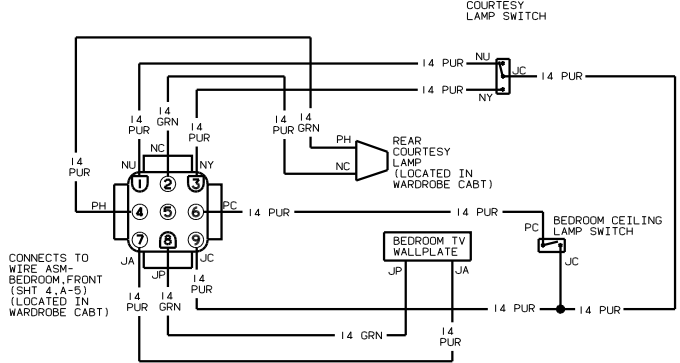
WIRING DIAGRAM-CHASSIS
 (WIRE ASM 120685)

		97 G30W0
DATE	UNSPECIFIED TOLERANCES ARE:	INVERTAL
DATE	WHOLE OR 1/16"	
DATE	ONE-PLACE OR .01"	
DATE	TWO-PLACE OR .005"	
DATE	THREE-PLACE OR .001"	
DATE	FOUR-PLACE OR .0005"	
DATE	FIVE-PLACE OR .0001"	
DATE	SIX-PLACE OR .00005"	
DATE	SEVEN-PLACE OR .00001"	
DATE	EIGHT-PLACE OR .000005"	
DATE	NINE-PLACE OR .000001"	
DATE	TEN-PLACE OR .0000005"	
DATE	ELEVEN-PLACE OR .0000001"	
DATE	TWELVE-PLACE OR .00000005"	
DATE	THIRTEEN-PLACE OR .00000001"	
DATE	FOURTEEN-PLACE OR .000000005"	
DATE	FIFTEEN-PLACE OR .000000001"	
DATE	SIXTEEN-PLACE OR .0000000005"	
DATE	SEVENTEEN-PLACE OR .0000000001"	
DATE	EIGHTEEN-PLACE OR .00000000005"	
DATE	NINETEEN-PLACE OR .00000000001"	
DATE	TWENTY-PLACE OR .000000000005"	
DATE	TWENTY-ONE-PLACE OR .000000000001"	
DATE	TWENTY-TWO-PLACE OR .0000000000005"	
DATE	TWENTY-THREE-PLACE OR .0000000000001"	
DATE	TWENTY-FOUR-PLACE OR .00000000000005"	
DATE	TWENTY-FIVE-PLACE OR .00000000000001"	
DATE	TWENTY-SIX-PLACE OR .000000000000005"	
DATE	TWENTY-SEVEN-PLACE OR .000000000000001"	
DATE	TWENTY-EIGHT-PLACE OR .0000000000000005"	
DATE	TWENTY-NINE-PLACE OR .0000000000000001"	
DATE	THIRTY-PLACE OR .00000000000000005"	
DATE	THIRTY-ONE-PLACE OR .00000000000000001"	
DATE	THIRTY-TWO-PLACE OR .000000000000000005"	
DATE	THIRTY-THREE-PLACE OR .000000000000000001"	
DATE	THIRTY-FOUR-PLACE OR .0000000000000000005"	
DATE	THIRTY-FIVE-PLACE OR .0000000000000000001"	
DATE	THIRTY-SIX-PLACE OR .00000000000000000005"	
DATE	THIRTY-SEVEN-PLACE OR .00000000000000000001"	
DATE	THIRTY-EIGHT-PLACE OR .000000000000000000005"	
DATE	THIRTY-NINE-PLACE OR .000000000000000000001"	
DATE	FOURTY-PLACE OR .0000000000000000000005"	
DATE	FOURTY-ONE-PLACE OR .0000000000000000000001"	
DATE	FOURTY-TWO-PLACE OR .00000000000000000000005"	
DATE	FOURTY-THREE-PLACE OR .00000000000000000000001"	
DATE	FOURTY-FOUR-PLACE OR .000000000000000000000005"	
DATE	FOURTY-FIVE-PLACE OR .000000000000000000000001"	
DATE	FOURTY-SIX-PLACE OR .0000000000000000000000005"	
DATE	FOURTY-SEVEN-PLACE OR .0000000000000000000000001"	
DATE	FOURTY-EIGHT-PLACE OR .00000000000000000000000005"	
DATE	FOURTY-NINE-PLACE OR .00000000000000000000000001"	
DATE	FIFTY-PLACE OR .000000000000000000000000005"	
DATE	FIFTY-ONE-PLACE OR .000000000000000000000000001"	
DATE	FIFTY-TWO-PLACE OR .0000000000000000000000000005"	
DATE	FIFTY-THREE-PLACE OR .0000000000000000000000000001"	
DATE	FIFTY-FOUR-PLACE OR .00000000000000000000000000005"	
DATE	FIFTY-FIVE-PLACE OR .00000000000000000000000000001"	
DATE	FIFTY-SIX-PLACE OR .000000000000000000000000000005"	
DATE	FIFTY-SEVEN-PLACE OR .000000000000000000000000000001"	
DATE	FIFTY-EIGHT-PLACE OR .0000000000000000000000000000005"	
DATE	FIFTY-NINE-PLACE OR .0000000000000000000000000000001"	
DATE	SIXTY-PLACE OR .00000000000000000000000000000005"	
DATE	SIXTY-ONE-PLACE OR .00000000000000000000000000000001"	
DATE	SIXTY-TWO-PLACE OR .000000000000000000000000000000005"	
DATE	SIXTY-THREE-PLACE OR .000000000000000000000000000000001"	
DATE	SIXTY-FOUR-PLACE OR .0000000000000000000000000000000005"	
DATE	SIXTY-FIVE-PLACE OR .0000000000000000000000000000000001"	
DATE	SIXTY-SIX-PLACE OR .00000000000000000000000000000000005"	
DATE	SIXTY-SEVEN-PLACE OR .00000000000000000000000000000000001"	
DATE	SIXTY-EIGHT-PLACE OR .000000000000000000000000000000000005"	
DATE	SIXTY-NINE-PLACE OR .000000000000000000000000000000000001"	
DATE	SEVENTY-PLACE OR .0000000000000000000000000000000000005"	
DATE	SEVENTY-ONE-PLACE OR .0000000000000000000000000000000000001"	
DATE	SEVENTY-TWO-PLACE OR .00000000000000000000000000000000000005"	
DATE	SEVENTY-THREE-PLACE OR .00000000000000000000000000000000000001"	
DATE	SEVENTY-FOUR-PLACE OR .000000000000000000000000000000000000005"	
DATE	SEVENTY-FIVE-PLACE OR .000000000000000000000000000000000000001"	
DATE	SEVENTY-SIX-PLACE OR .0000000000000000000000000000000000000005"	
DATE	SEVENTY-SEVEN-PLACE OR .0000000000000000000000000000000000000001"	
DATE	SEVENTY-EIGHT-PLACE OR .005"	
DATE	SEVENTY-NINE-PLACE OR .001"	
DATE	EIGHTY-PLACE OR .0005"	
DATE	EIGHTY-ONE-PLACE OR .0001"	
DATE	EIGHTY-TWO-PLACE OR .005"	
DATE	EIGHTY-THREE-PLACE OR .001"	
DATE	EIGHTY-FOUR-PLACE OR .0005"	
DATE	EIGHTY-FIVE-PLACE OR .0001"	
DATE	EIGHTY-SIX-PLACE OR .005"	
DATE	EIGHTY-SEVEN-PLACE OR .001"	
DATE	EIGHTY-EIGHT-PLACE OR .0005"	
DATE	EIGHTY-NINE-PLACE OR .0001"	
DATE	NINETY-PLACE OR .005"	
DATE	NINETY-ONE-PLACE OR .001"	
DATE	NINETY-TWO-PLACE OR .0005"	
DATE	NINETY-THREE-PLACE OR .0001"	
DATE	NINETY-FOUR-PLACE OR .005"	
DATE	NINETY-FIVE-PLACE OR .001"	
DATE	NINETY-SIX-PLACE OR .0005"	
DATE	NINETY-SEVEN-PLACE OR .0001"	
DATE	NINETY-EIGHT-PLACE OR .005"	
DATE	NINETY-NINE-PLACE OR .001"	
DATE	HUNDRED-PLACE OR .0005"	

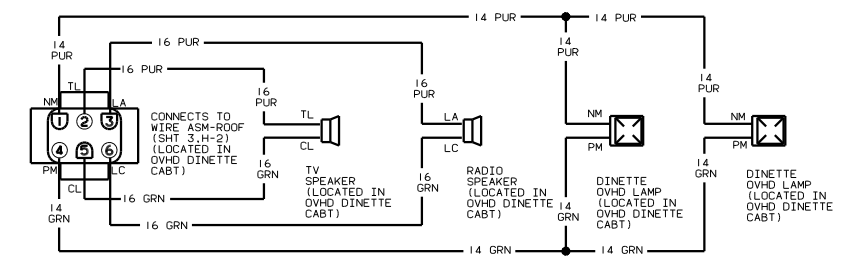


WIRING DIAGRAM-ROOF
(WIRE ASM 124466)

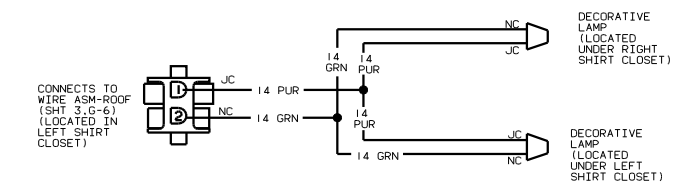
TITLE: WIRING DIAGRAM-BODY		97 G30WD	
NO. OF SHEETS: 6	SHEET: 3 OF 6	REV: 1	DATE: 124593



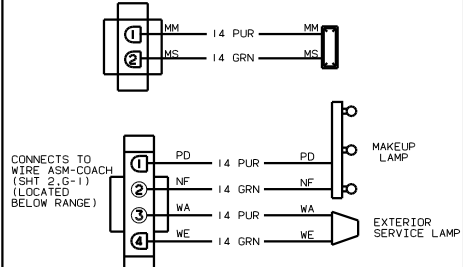
WIRING DIAGRAM-BEDROOM, FRONT
(WIRE ASM 124465)



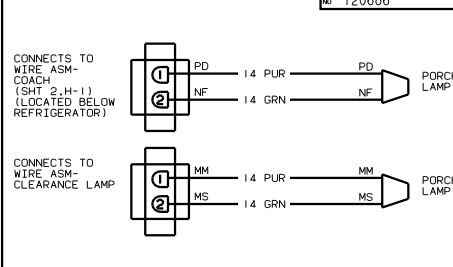
WIRING DIAGRAM-OVHD, DINETTE
(WIRE ASM 121808)



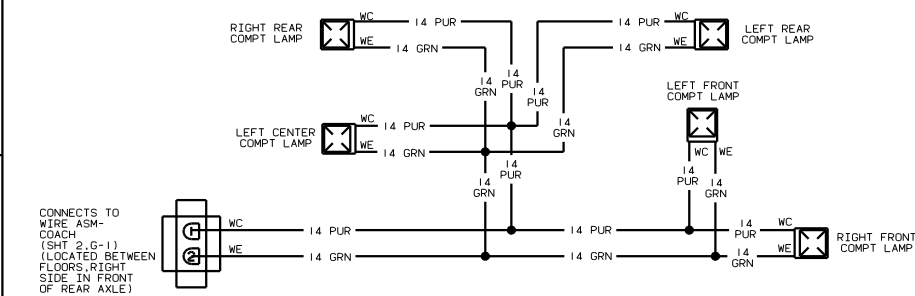
WIRING DIAGRAM-OVHD, REAR
(WIRE ASM 109764)



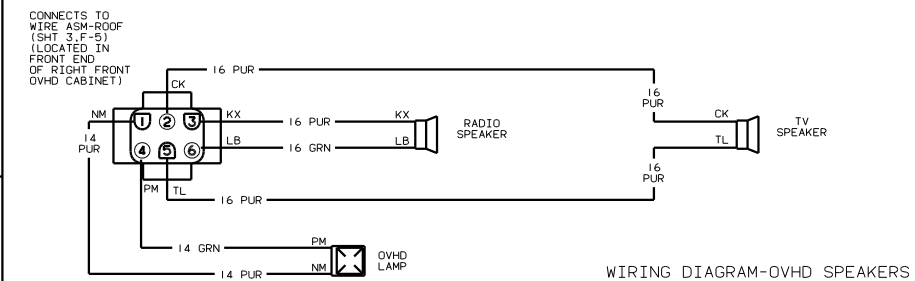
WIRING DIAGRAM-SIDEWALL, LEFT
(WIRE ASM 124731)



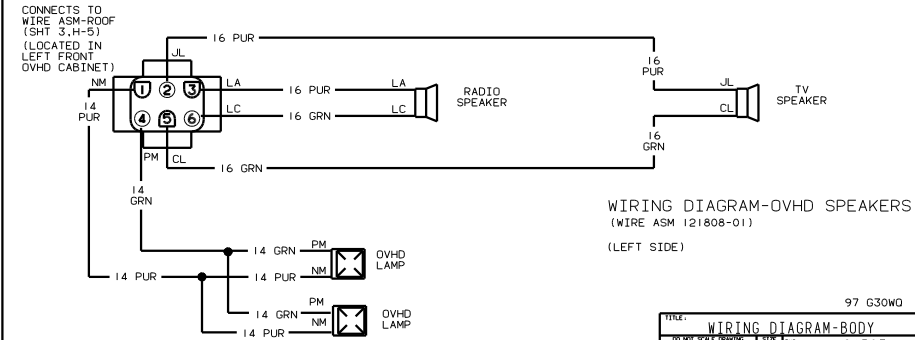
WIRING DIAGRAM-SIDEWALL RIGHT
(WIRE ASM 124736)



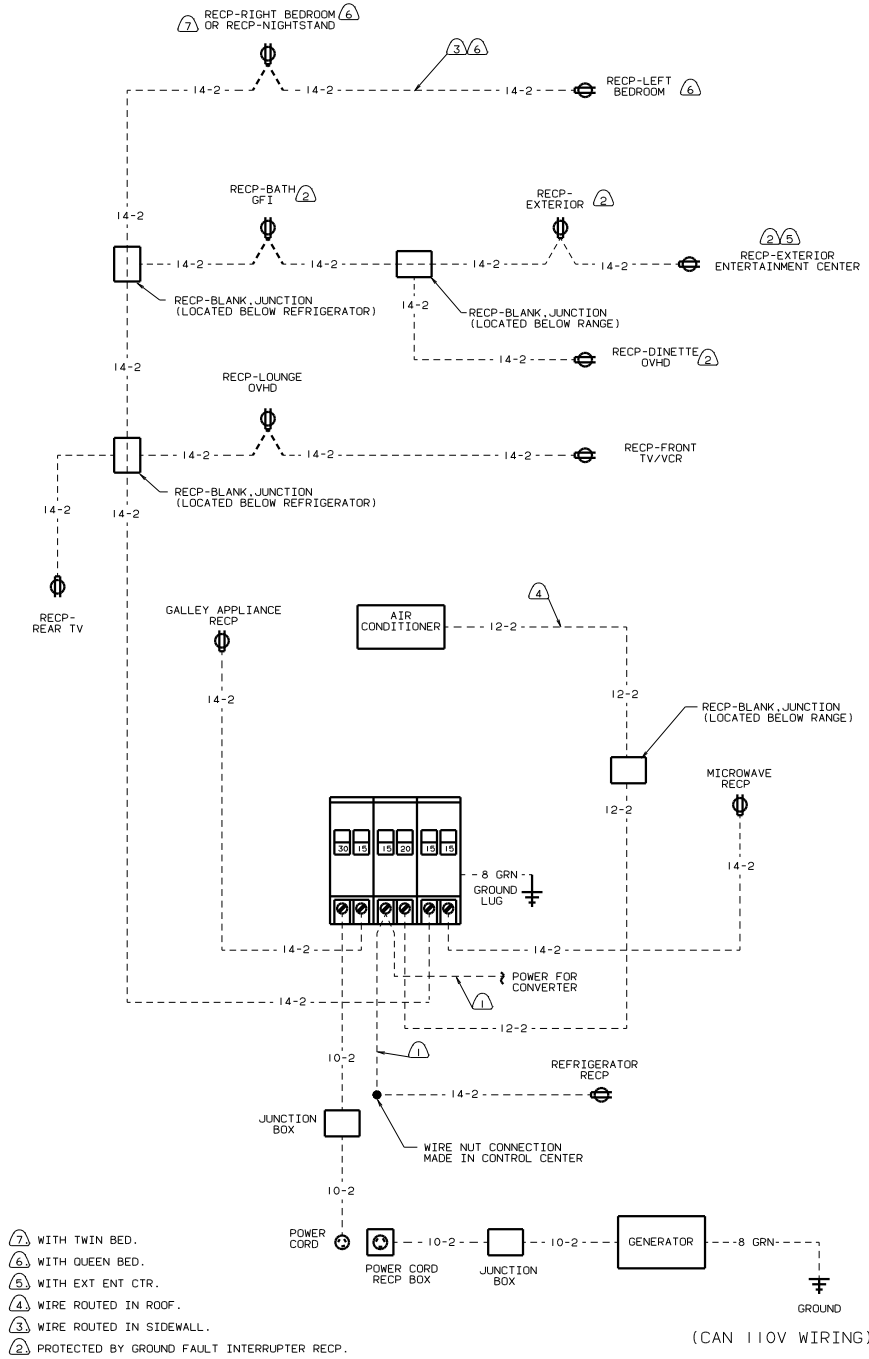
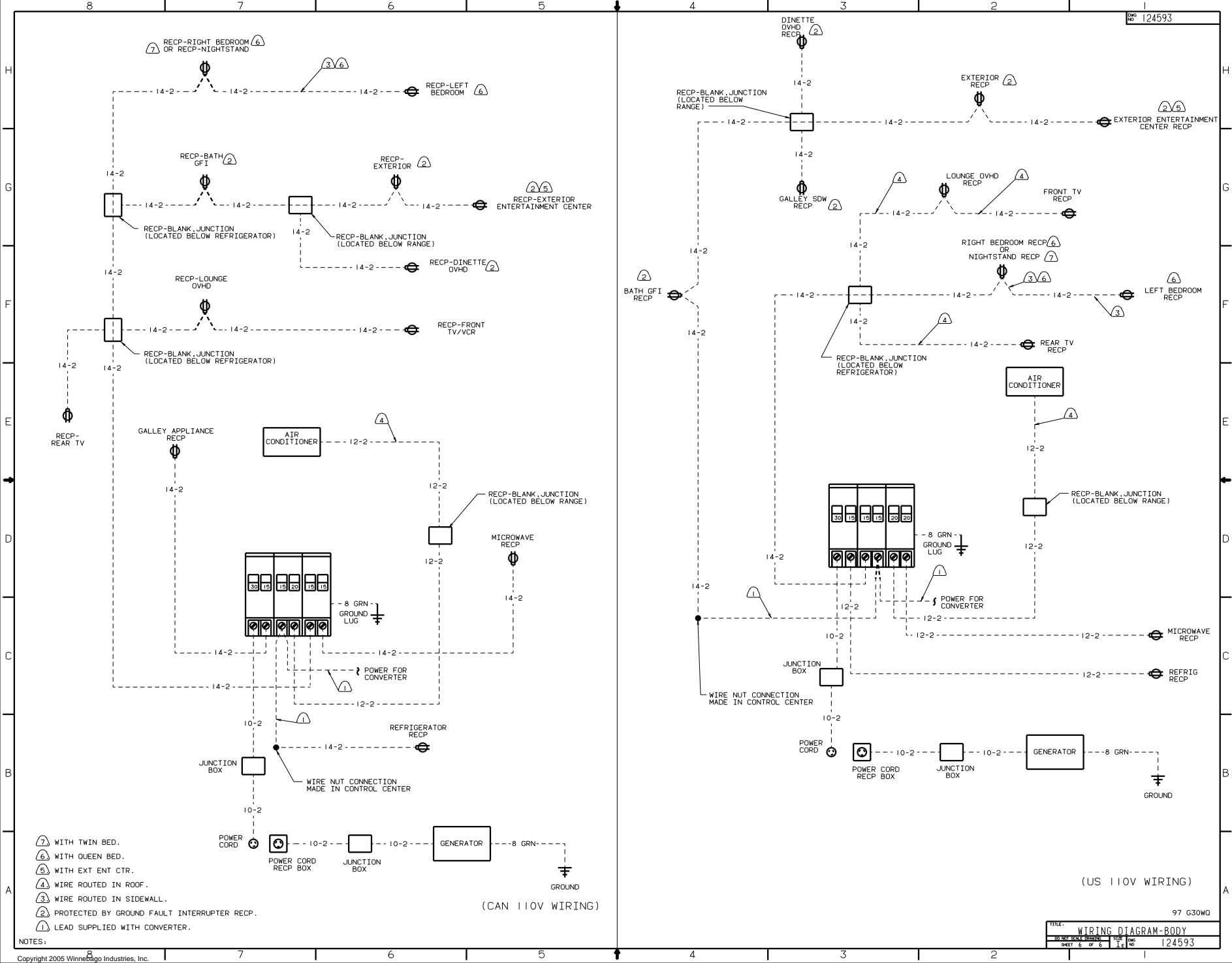
WIRING DIAGRAM-COMPT, LAMPS
(WIRE ASM 112120)



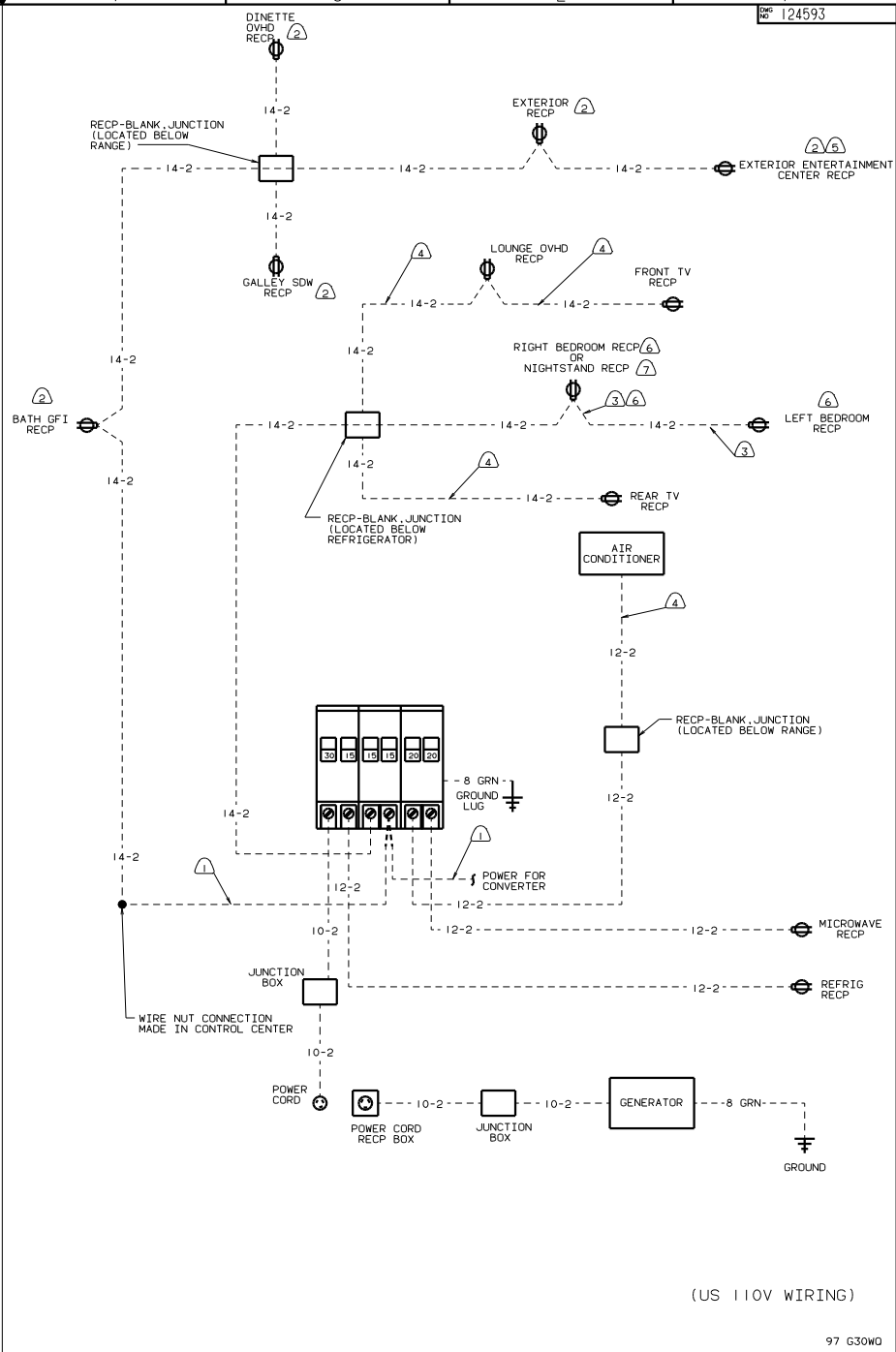
WIRING DIAGRAM-OVHD SPEAKERS
(WIRE ASM 103330-01)
(RIGHT SIDE)



WIRING DIAGRAM-OVHD SPEAKERS
(WIRE ASM 121808-01)
(LEFT SIDE)



- (7) WITH TWIN BED.
- (6) WITH QUEEN BED.
- (5) WITH EXT ENT CTR.
- (4) WIRE ROUTED IN ROOF.
- (3) WIRE ROUTED IN SIDEWALL.
- (2) PROTECTED BY GROUND FAULT INTERRUPTER RECP.
- (1) LEAD SUPPLIED WITH CONVERTER.



TITLE: WIRING DIAGRAM-BODY	
30 X 100 SCALE	1
SHEET 6 OF 6	1 E NO
124593	