



**DANGER**

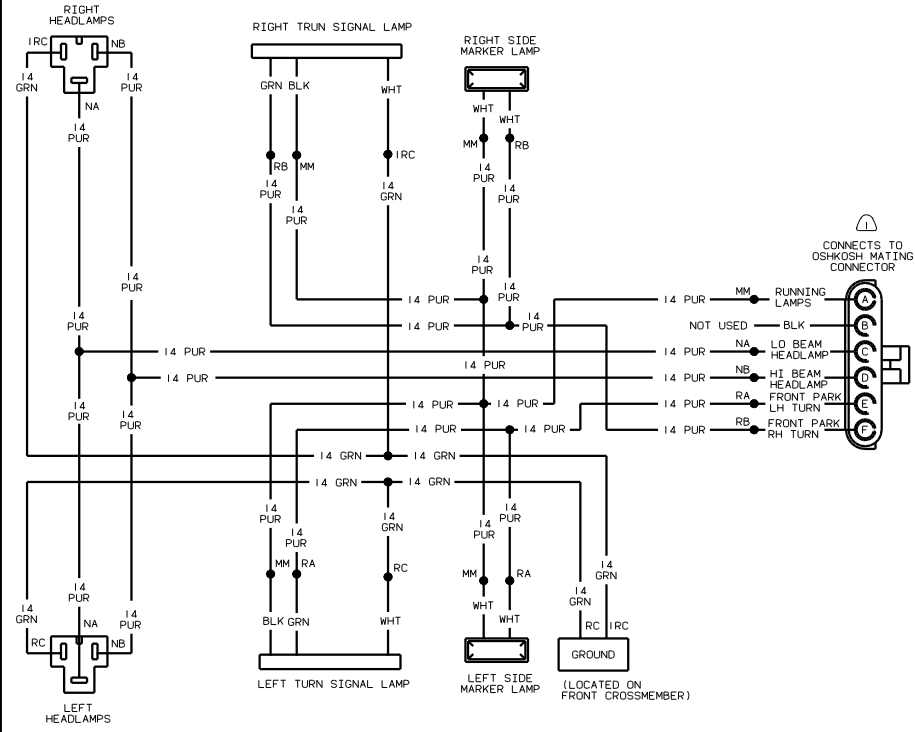
**Danger of electrical shock, burns or death.** Always remove all power sources before attempting any repair, service or diagnostic work. Power can be present from shore power, generator, inverter or battery. All power sources must be disabled and secured before performing any service.



**CAUTION**

If you lack the skills, tools or equipment to perform diagnostic or repair work leave such work to an authorized Winnebago Industries dealer or other qualified shop.



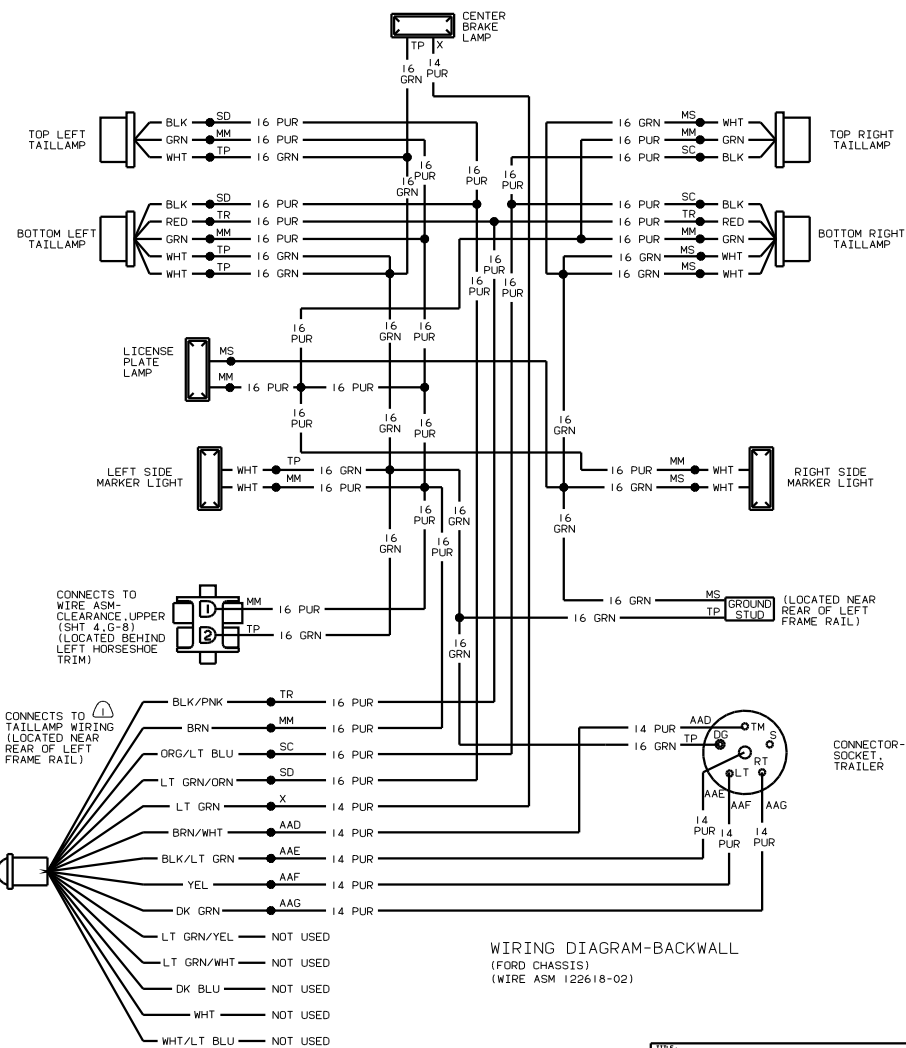
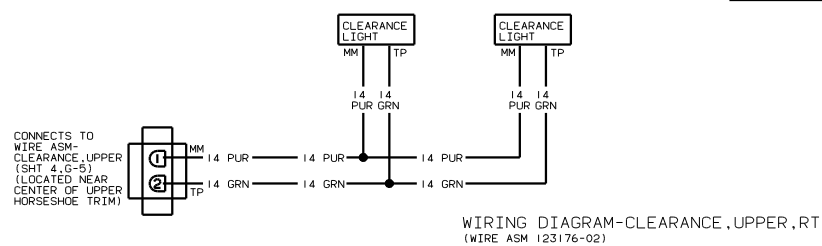
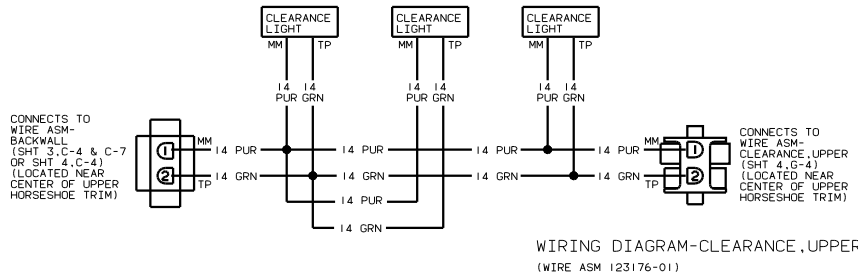


WIRING DIAGRAM-HEADLAMP  
 (FRIGHTLINER CHASSIS)  
 (WIRE ASM 115928-06)  
 (WINNEBAGO & ITASCA)

SEE MANUFACTURERS DIAGRAM FOR ADDITIONAL INFORMATION.

TITLE		WIRING DIAGRAM-AUTO LAMPS	
DATE	BY	CHK	APP
10/10/05	115928-06	115928-06	115928-06
SHEET 2 of 4		FIG NO 123181	





SEE MANUFACTURERS DIAGRAM FOR ADDITIONAL INFORMATION.

NOTES: