



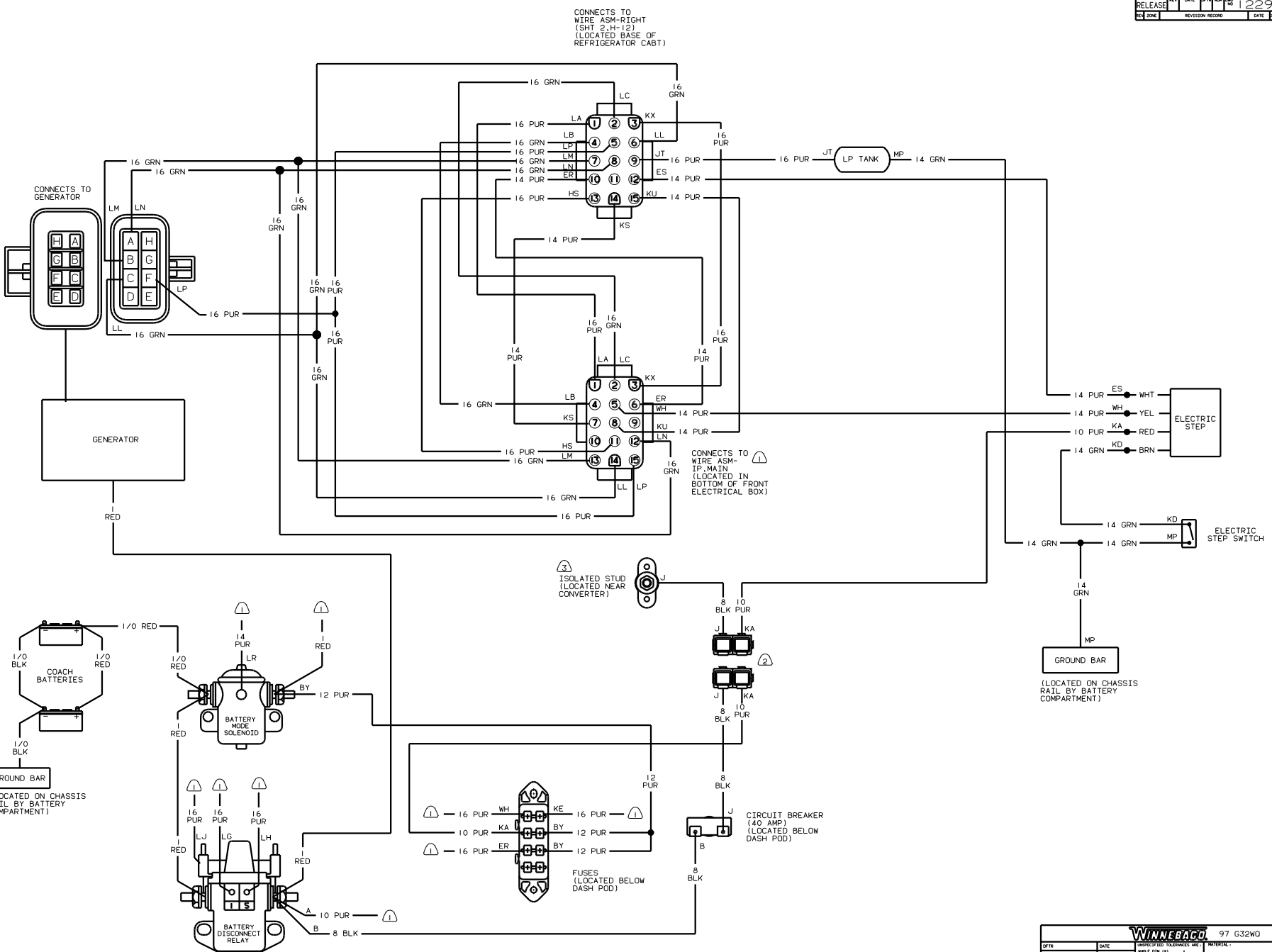
**DANGER**

**Danger of electrical shock, burns or death.** Always remove all power sources before attempting any repair, service or diagnostic work. Power can be present from shore power, generator, inverter or battery. All power sources must be disabled and secured before performing any service.



**CAUTION**

If you lack the skills, tools or equipment to perform diagnostic or repair work leave such work to an authorized Winnebago Industries dealer or other qualified shop.



- ③ SEE SHT 2 FOR ADDITIONAL INFORMATION.
- ② CONNECTION MADE IN FRONT ELECTRICAL BOX.
- ① SEE WIRING DIAGRAM-AUTO FOR ADDITIONAL INFORMATION.

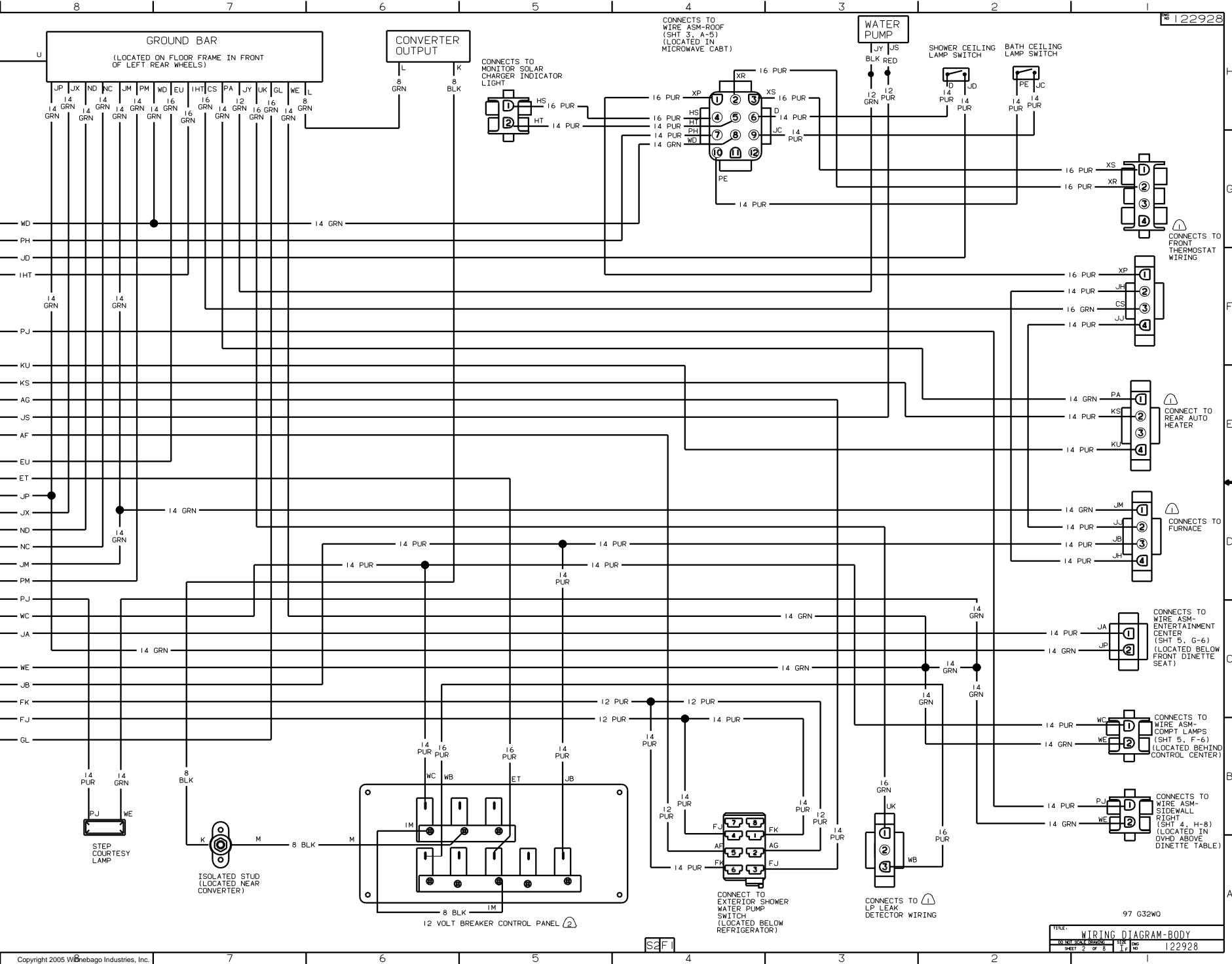
WIRING DIAGRAM-CHASSIS  
 (WIRE ASM 123007)

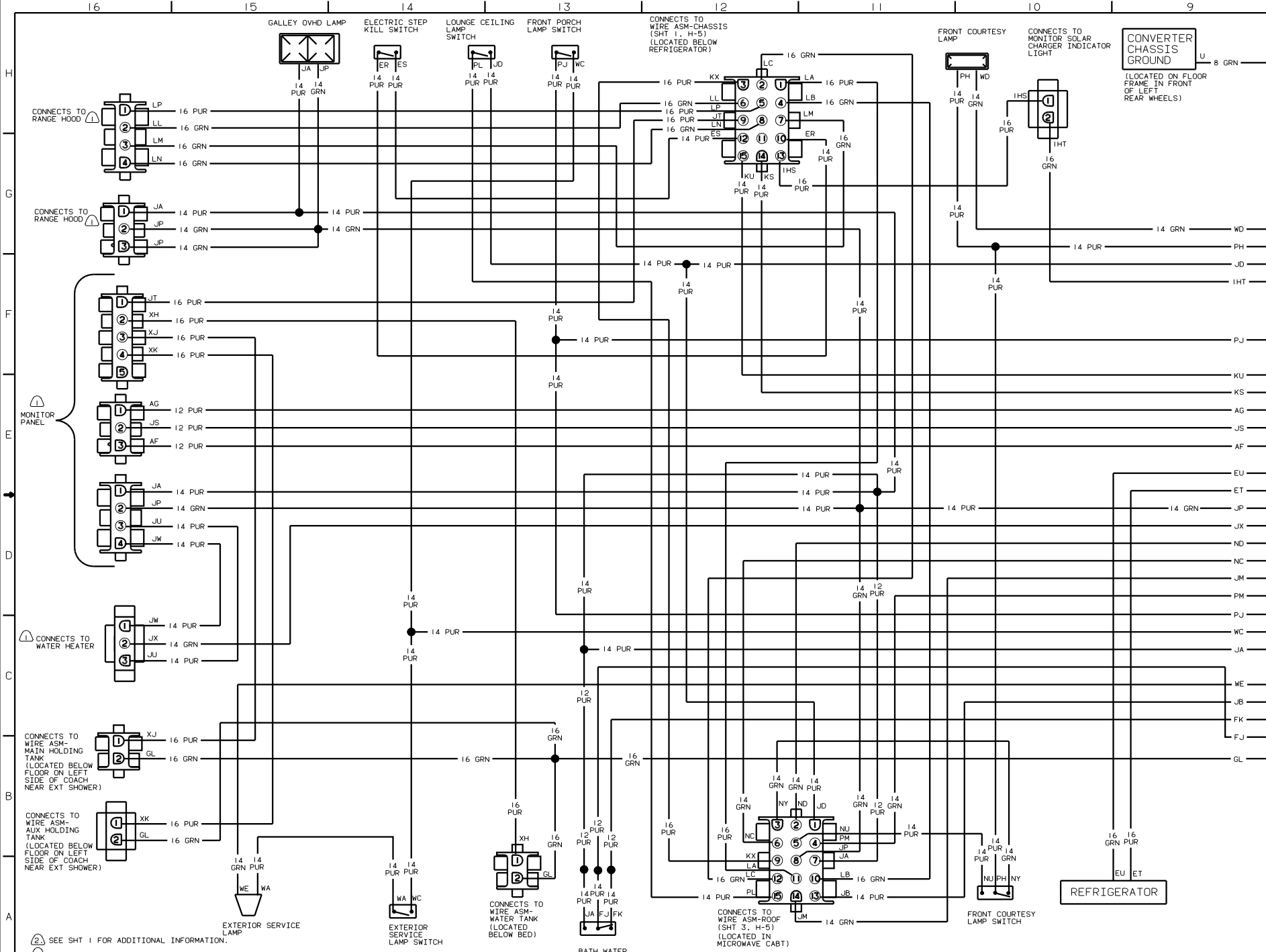
OF IN		DATE	UNDESIGNED TOLERANCES ARE	MATERIAL
CHP	DATE	WHOLE OR 1/2"	ONE-PLACE (1/32)"	
D/E	DATE	ONE-PLACE (1/32)"	ONE-PLACE (1/32)"	
D/E	DATE	ONE-PLACE (1/32)"	ONE-PLACE (1/32)"	
DATE	DATE	INDICATE W/ANGLE	INDICATE W/ANGLE	
DATE	DATE	INDICATE W/ANGLE	INDICATE W/ANGLE	
DATE	DATE	INDICATE W/ANGLE	INDICATE W/ANGLE	
DATE	DATE	INDICATE W/ANGLE	INDICATE W/ANGLE	

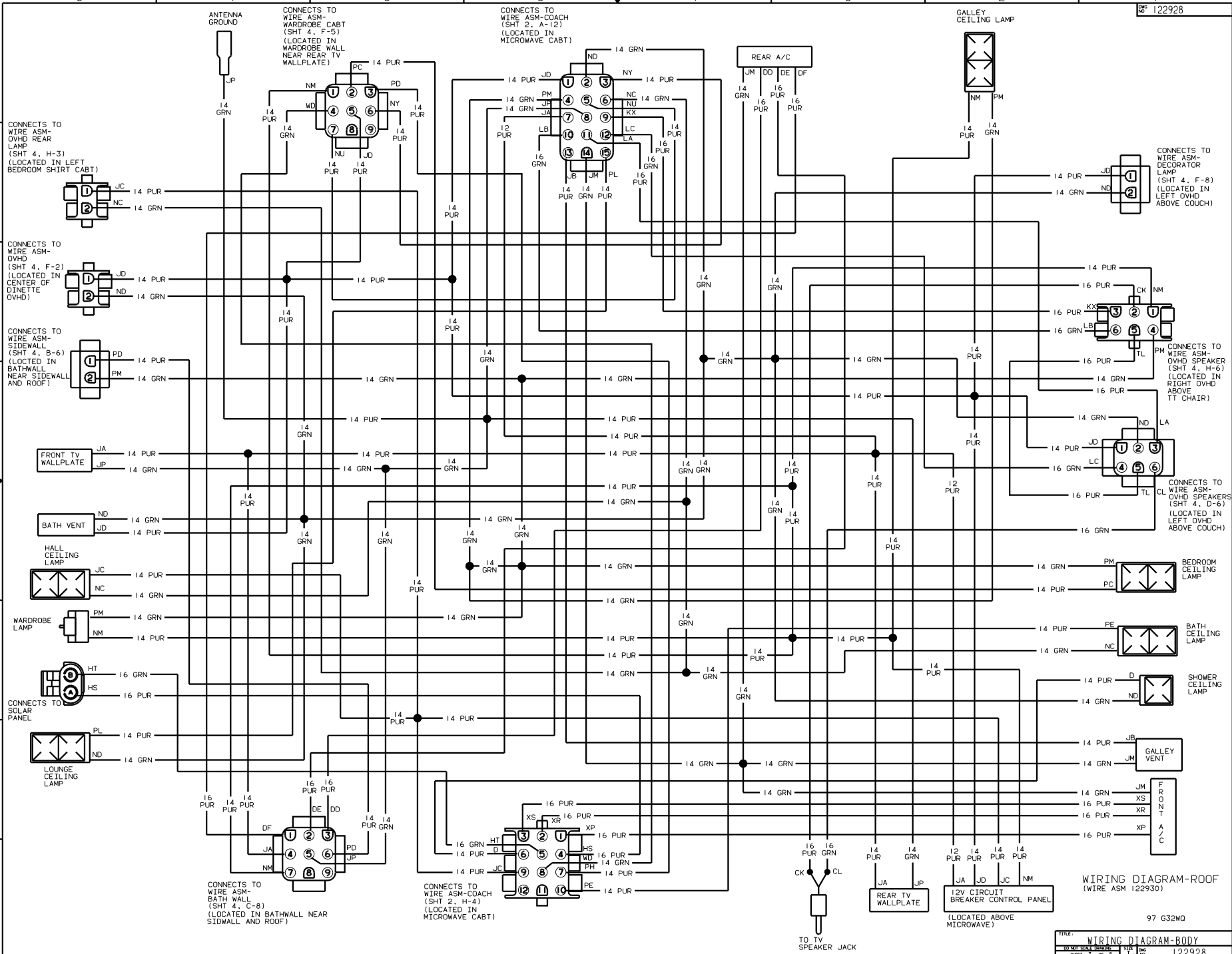
WINNEBAGO 97 G32W0

WIRING DIAGRAM-BODY

SHEET 1 OF 8



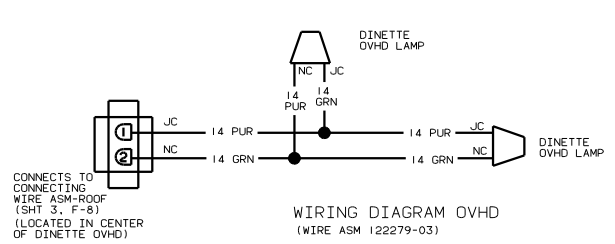
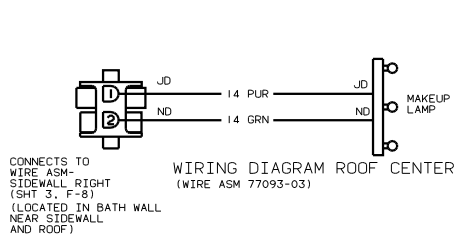
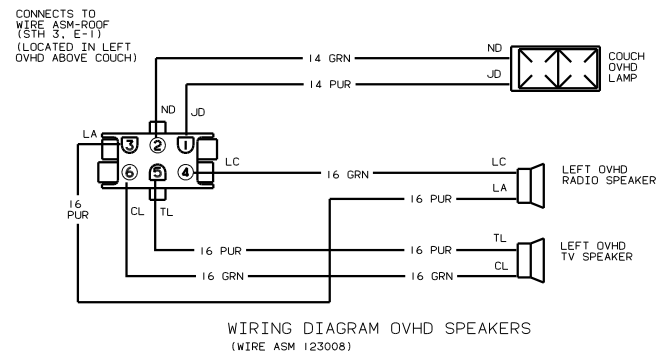
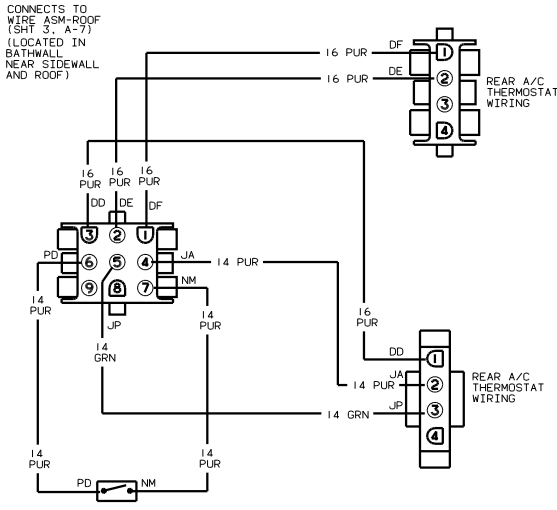
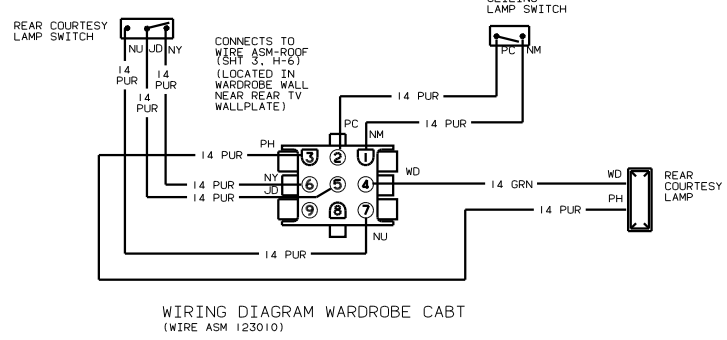
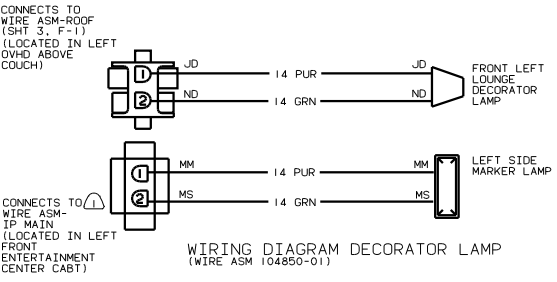
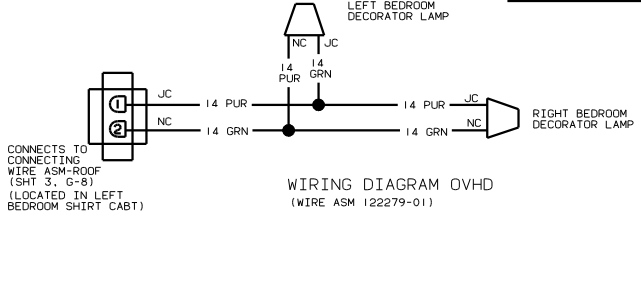
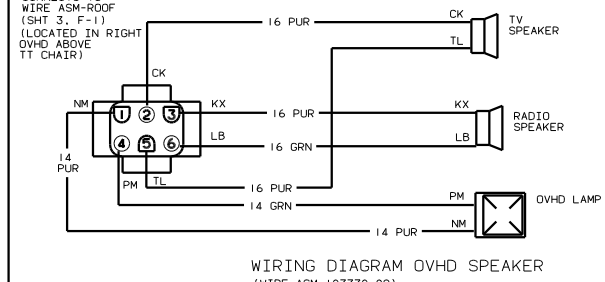
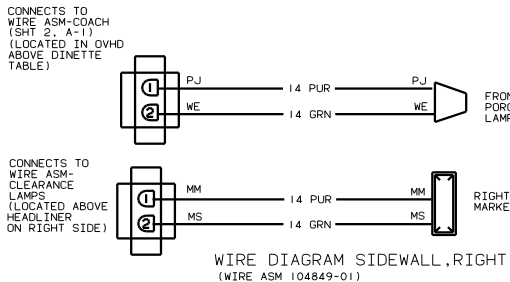




WIRING DIAGRAM-ROOF (WIRE ASM 122930)

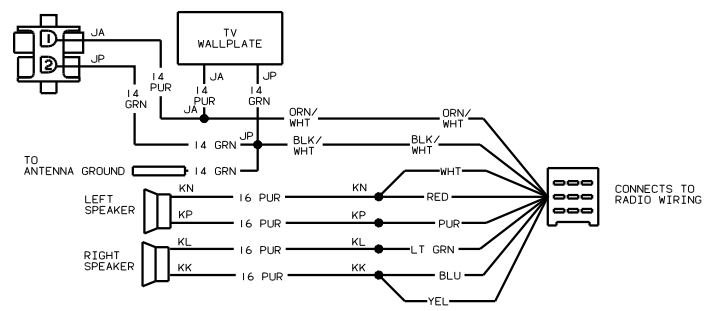
97 G32W0

TITLE: WIRING DIAGRAM-BODY		REV	DATE
NO. OF SHEETS	TOTAL SHEETS	BY	CHK
SHEET 3 OF 8	16		

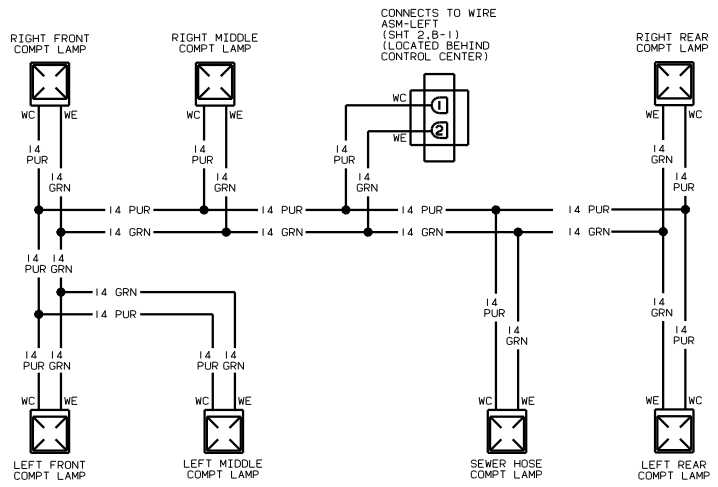


NOTES:  
SEE WIRING DIAGRAM-AUTO FOR ADDITIONAL INFORMATION.

CONNECTS TO WIRE  
ASM RIGHT  
(SHT 2,C-1)  
(LOCATED BELOW  
FRONT DINETTE SEAT)

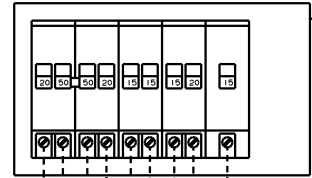


WIRING DIAGRAM ENTERTAINMENT CENTER  
(WIRE ASM-125853-01)  
(WITH EXTERIOR ENTERTAINMENT CENTER)

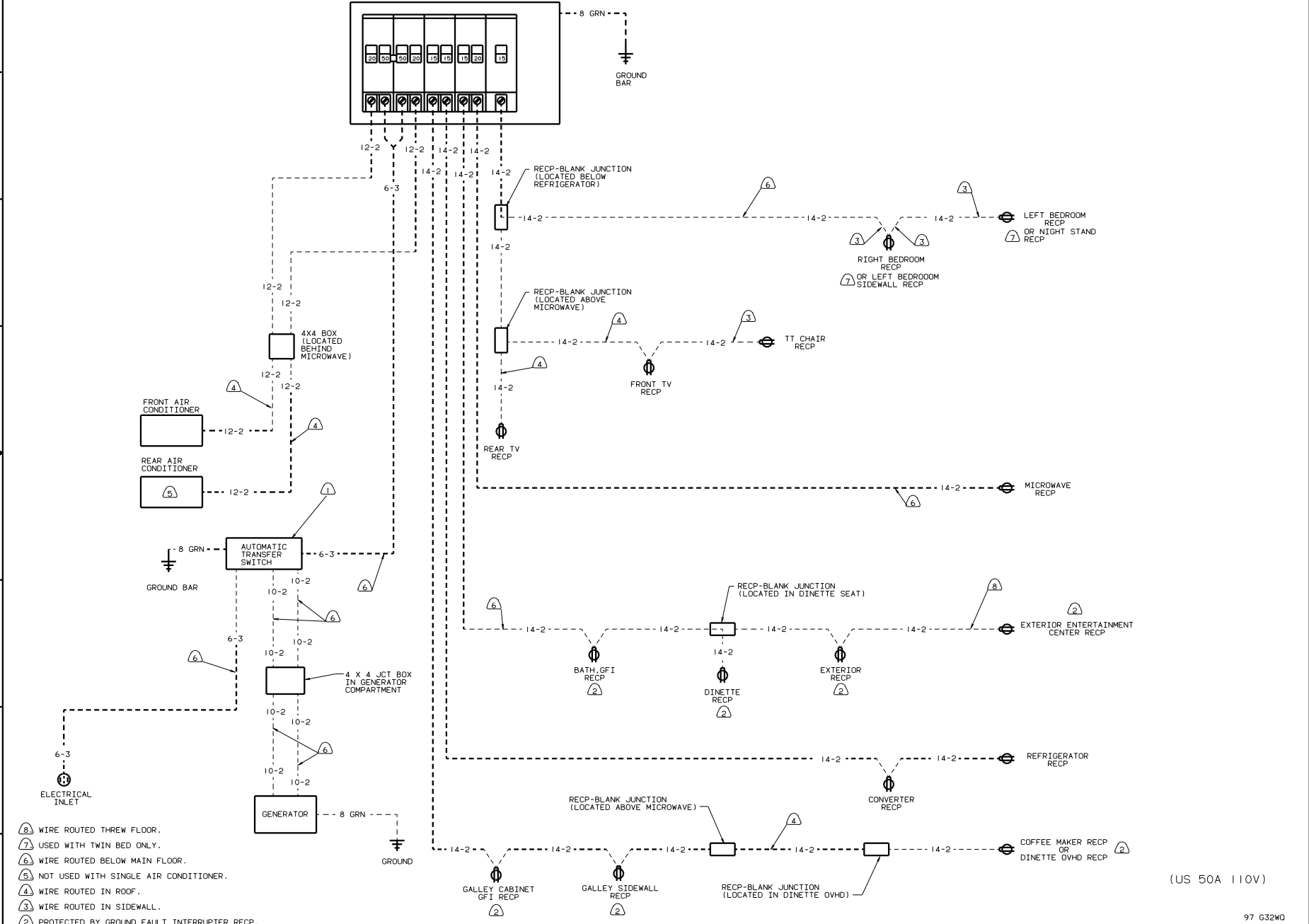


WIRING DIAGRAM-COMPT LAMPS  
(ROUTED IN FLOOR)  
(WIRE ASM 104852)

CONTROL CENTER  
BREAKER PANEL



GROUND BAR



- ⑧ WIRE ROUTED THRU FLOOR.
- ⑦ USED WITH TWIN BED ONLY.
- ⑥ WIRE ROUTED BELOW MAIN FLOOR.
- ⑤ NOT USED WITH SINGLE AIR CONDITIONER.
- ④ WIRE ROUTED IN ROOF.
- ③ WIRE ROUTED IN SIDEWALL.
- ② PROTECTED BY GROUND FAULT INTERRUPTER RECP.
- ① SEE MANUFACTURER'S WIRING DIAGRAM FOR ADDITIONAL INFORMATION

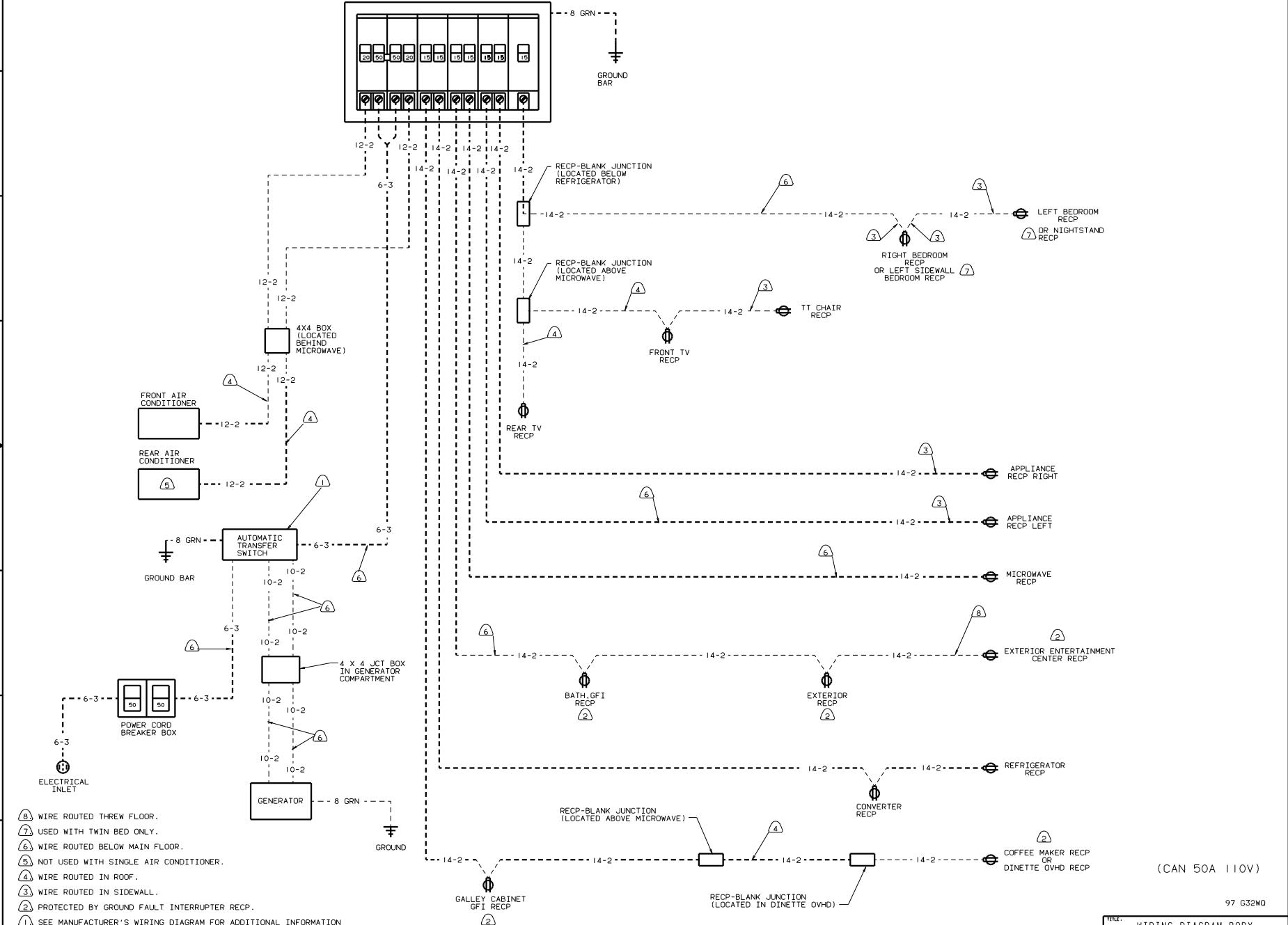
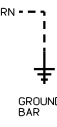
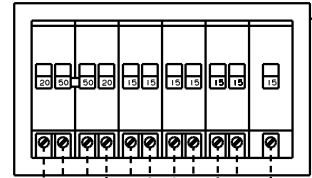
(US 50A 110V)

97 G32W0

TITLE: WIRING DIAGRAM-BODY	
30 X 100 SCALE	1/16"
SHEET 6 OF 8	122928



### CONTROL CENTER BREAKER PANEL

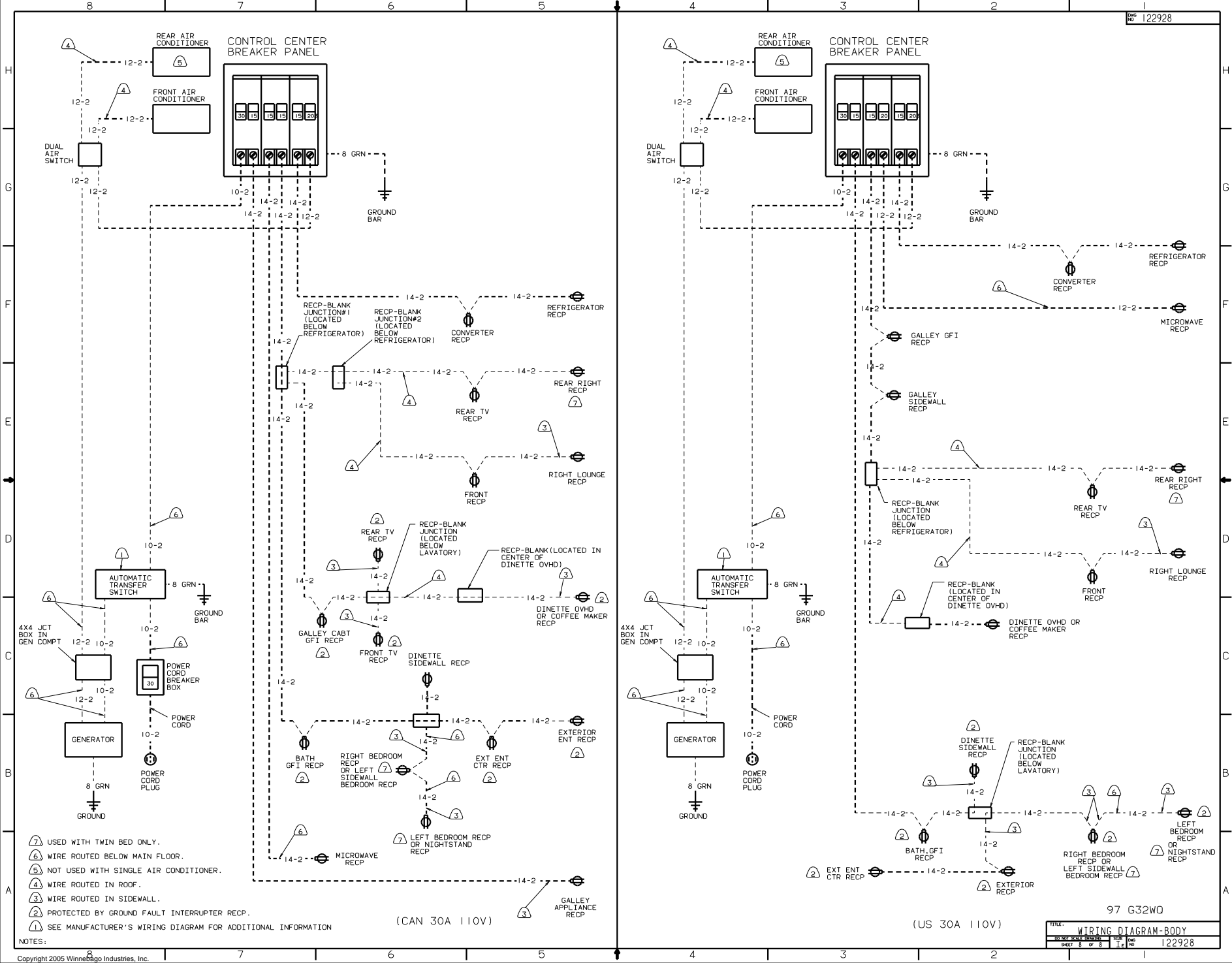


- NOTES:
- ⑧ WIRE ROUTED THREW FLOOR.
  - ⑦ USED WITH TWIN BED ONLY.
  - ⑥ WIRE ROUTED BELOW MAIN FLOOR.
  - ⑤ NOT USED WITH SINGLE AIR CONDITIONER.
  - ④ WIRE ROUTED IN ROOF.
  - ③ WIRE ROUTED IN SIDEWALL.
  - ② PROTECTED BY GROUND FAULT INTERRUPTER RECP.
  - ① SEE MANUFACTURER'S WIRING DIAGRAM FOR ADDITIONAL INFORMATION

(CAN 50A 110V)

97 G32W0

TITLE: WIRING DIAGRAM-BODY	
NO. OF SHEETS: 8	SHEET NO. 7 OF 8
DATE: 11/16/05	REV. NO. 1



NOTES:  
 (7) USED WITH TWIN BED ONLY.  
 (6) WIRE ROUTED BELOW MAIN FLOOR.  
 (5) NOT USED WITH SINGLE AIR CONDITIONER.  
 (4) WIRE ROUTED IN ROOF.  
 (3) WIRE ROUTED IN SIDEWALL.  
 (2) PROTECTED BY GROUND FAULT INTERRUPTER RECP.  
 (1) SEE MANUFACTURER'S WIRING DIAGRAM FOR ADDITIONAL INFORMATION

(CAN 30A 110V)

(US 30A 110V)

TITLE: WIRING DIAGRAM-BODY	
NO. OF SHEETS: 8	SHEET NO. 8
REV. NO. 1	REV. DATE