



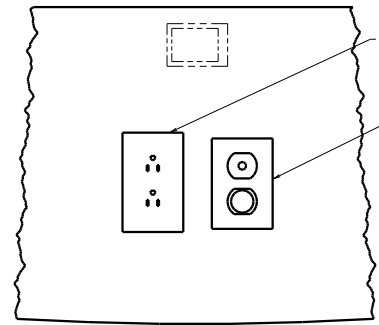
**DANGER**

**Danger of electrical shock, burns or death.** Always remove all power sources before attempting any repair, service or diagnostic work. Power can be present from shore power, generator, inverter or battery. All power sources must be disabled and secured before performing any service.



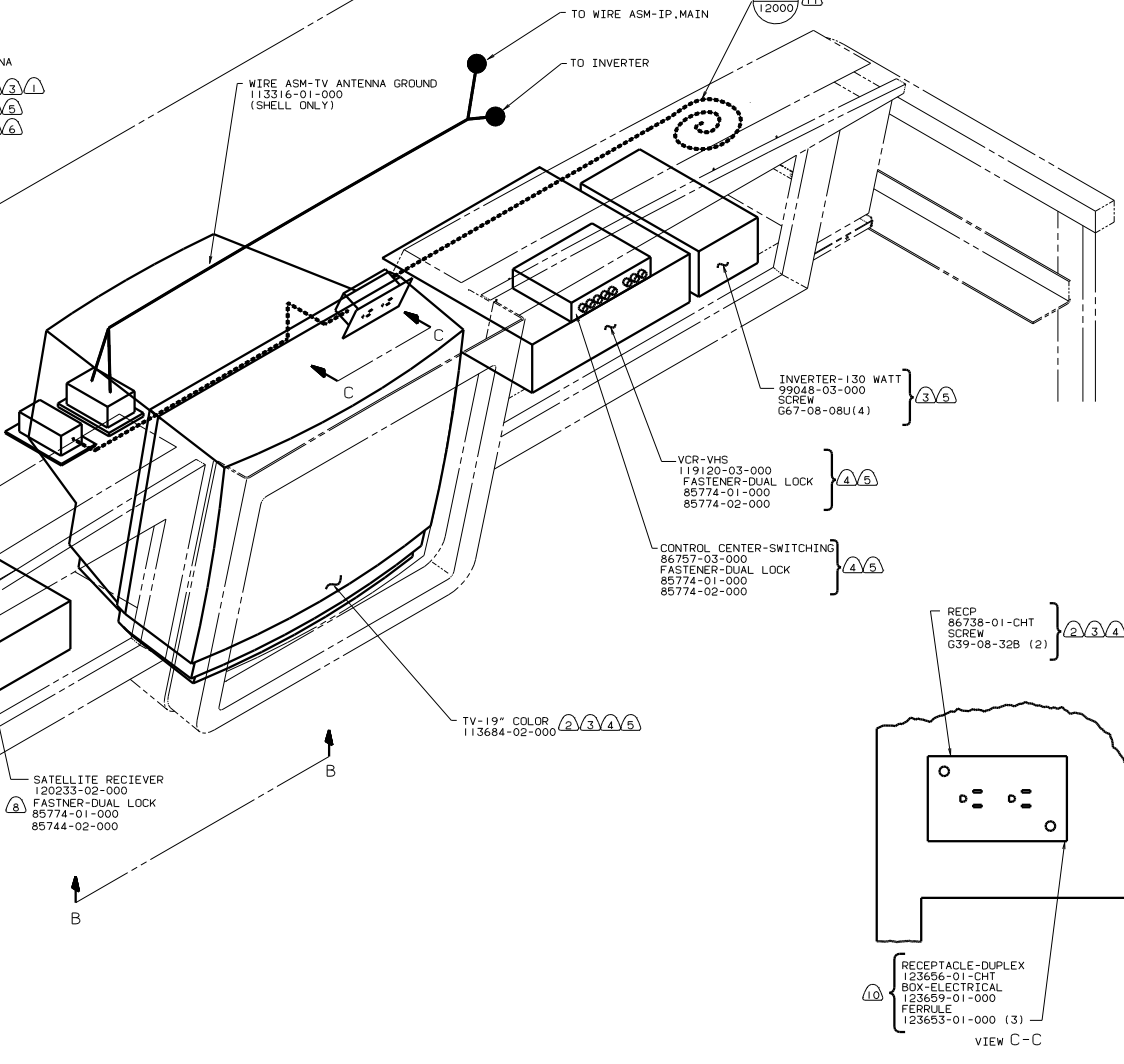
**CAUTION**

If you lack the skills, tools or equipment to perform diagnostic or repair work leave such work to an authorized Winnebago Industries dealer or other qualified shop.

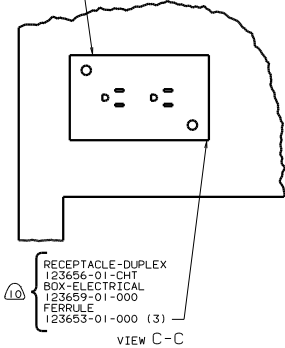


VIEW B-B

- RECP 86738-01-CHT (9)
- PLATE-WALL, ANTENNA
- 86784-01-CHT (2, 3, 1)
- 86784-03-CHT (4, 5)
- 86784-02-CHT (1, 6)



- RECP 86738-01-CHT
- SCREW G39-08-32B (2) (2, 3, 4, 5, 9)



VIEW C-C

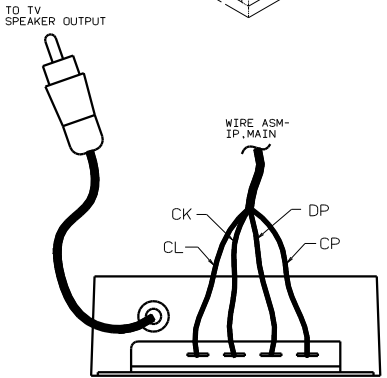
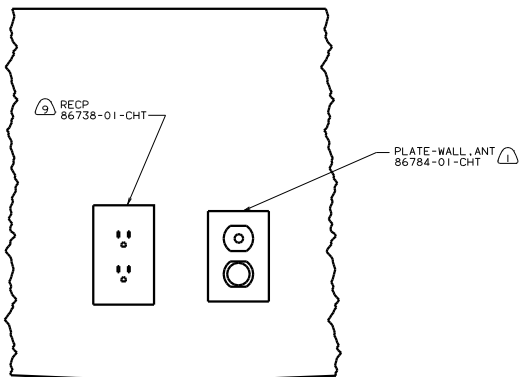
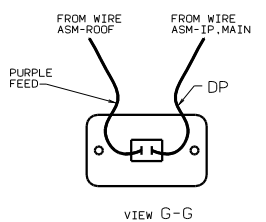
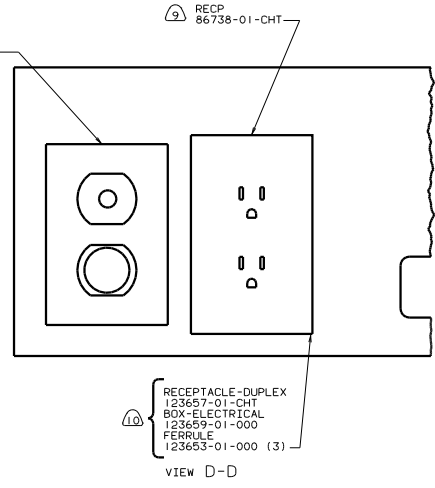
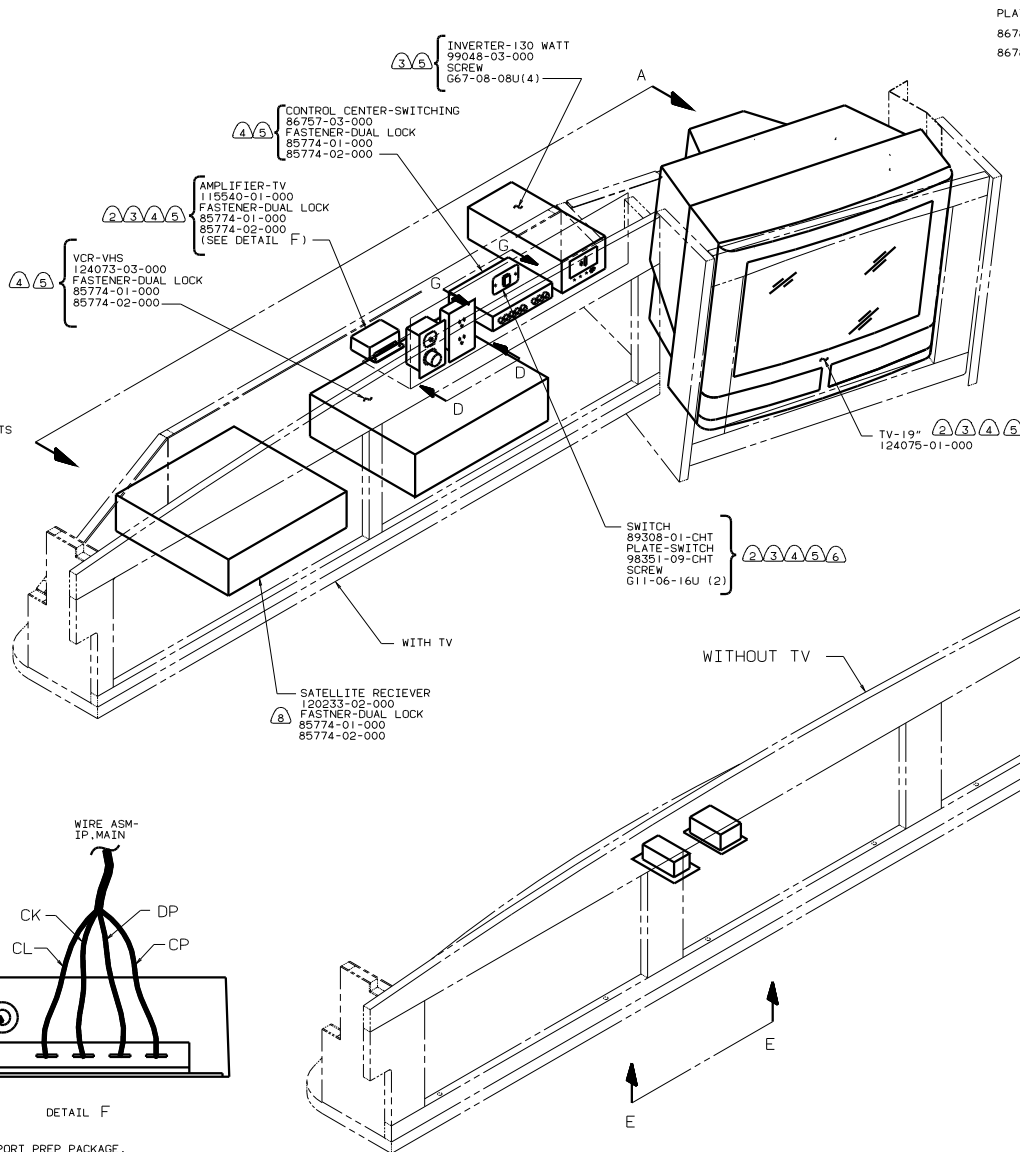
- RECEPTACLE-DUPLEX 123656-01-CHT
- BOX-ELECTRICAL 123659-01-000
- FERRULE 123653-01-000 (3) (10)

- (11) USE WITH SHELL ONLY. COIL EXCESS AND LEAVE IN OVERHEAD.
- (10) USE WITH WIE EXPORT PREP PACKAGE.
- (9) NOT USED WITH WIE EXPORT PREP PACKAGE.
- (8) WITH SATELLITE SYSTEM RECIEVER.
- (7) WHERE WIRES PASS THROUGH HOLES IN STEEL AND ARE NOT OTHERWISE PROTECTED, USE GROMMET 92908-02-00.
- (6) USE ON D25RU AND D27RC.
- (5) USE WITH TV,VCR,SWITCHING CONTROL CENTER,INVERTER AND TV ANTENNA ONLY.
- (4) USE WITH TV,VCR,SWITCHING CONTROL CENTER AND TV ANTENNA ONLY.
- (3) USE WITH TV,INVERTER AND TV ANTENNA ONLY.
- (2) USE WITH TV AND TV ANTENNA ONLY.
- (1) USE WITH TV ANTENNA ONLY.

NOTES:

97 D-SERIES  
97 F&G-SERIES

WINNEBAGO		97 A-BODY	
OF IN	DATE	UNSPECIFIED TOLERANCES ARE:	MATERIAL
CHP	DATE	WHOLE OR 1/16"	
DR	DATE	ONE-PLACE (1/32)"	
DFE	DATE	TWO-PLACE (1/64)"	
DFE	DATE	THREE-PLACE (1/128)"	
DFE	DATE	FOUR-PLACE (1/256)"	
DFE	DATE	FIVE-PLACE (1/512)"	
DFE	DATE	SIX-PLACE (1/1024)"	
DFE	DATE	SEVEN-PLACE (1/2048)"	
DFE	DATE	EIGHT-PLACE (1/4096)"	
DFE	DATE	TEN-PLACE (1/10240)"	
DFE	DATE	TWELVE-PLACE (1/12288)"	
DFE	DATE	FIFTEEN-PLACE (1/15360)"	
DFE	DATE	TWENTY-PLACE (1/30720)"	
DFE	DATE	TWENTY-FIVE-PLACE (1/38400)"	
DFE	DATE	THIRTY-PLACE (1/46080)"	
DFE	DATE	THIRTY-FIVE-PLACE (1/53760)"	
DFE	DATE	FOURTY-PLACE (1/61440)"	
DFE	DATE	FOURTY-FIVE-PLACE (1/69120)"	
DFE	DATE	FIFTY-PLACE (1/76800)"	
DFE	DATE	FIFTY-FIVE-PLACE (1/84480)"	
DFE	DATE	SIXTY-PLACE (1/92160)"	
DFE	DATE	SIXTY-FIVE-PLACE (1/99840)"	
DFE	DATE	SEVENTY-PLACE (1/107520)"	
DFE	DATE	SEVENTY-FIVE-PLACE (1/115200)"	
DFE	DATE	EIGHTY-PLACE (1/122880)"	
DFE	DATE	EIGHTY-FIVE-PLACE (1/130560)"	
DFE	DATE	NINETY-PLACE (1/138240)"	
DFE	DATE	NINETY-FIVE-PLACE (1/145920)"	
DFE	DATE	HUNDRED-PLACE (1/153600)"	
DFE	DATE	HUNDRED-FIVE-PLACE (1/161280)"	
DFE	DATE	HUNDRED-TEN-PLACE (1/168960)"	
DFE	DATE	HUNDRED-FIFTEEN-PLACE (1/176640)"	
DFE	DATE	HUNDRED-TWENTY-PLACE (1/184320)"	
DFE	DATE	HUNDRED-TWENTY-FIVE-PLACE (1/192000)"	
DFE	DATE	HUNDRED-THIRTY-PLACE (1/199680)"	
DFE	DATE	HUNDRED-THIRTY-FIVE-PLACE (1/207360)"	
DFE	DATE	HUNDRED-FORTY-PLACE (1/215040)"	
DFE	DATE	HUNDRED-FORTY-FIVE-PLACE (1/222720)"	
DFE	DATE	HUNDRED-FIFTY-PLACE (1/230400)"	
DFE	DATE	HUNDRED-FIFTY-FIVE-PLACE (1/238080)"	
DFE	DATE	HUNDRED-SIXTY-PLACE (1/245760)"	
DFE	DATE	HUNDRED-SIXTY-FIVE-PLACE (1/253440)"	
DFE	DATE	HUNDRED-SEVENTY-PLACE (1/261120)"	
DFE	DATE	HUNDRED-SEVENTY-FIVE-PLACE (1/268800)"	
DFE	DATE	HUNDRED-EIGHTY-PLACE (1/276480)"	
DFE	DATE	HUNDRED-EIGHTY-FIVE-PLACE (1/284160)"	
DFE	DATE	HUNDRED-NINETY-PLACE (1/291840)"	
DFE	DATE	HUNDRED-NINETY-FIVE-PLACE (1/299520)"	
DFE	DATE	NINE HUNDRED-PLACE (1/307200)"	
DFE	DATE	NINE HUNDRED-FIVE-PLACE (1/314880)"	
DFE	DATE	NINE HUNDRED-TEN-PLACE (1/322560)"	
DFE	DATE	NINE HUNDRED-FIFTEEN-PLACE (1/330240)"	
DFE	DATE	NINE HUNDRED-TWENTY-PLACE (1/337920)"	
DFE	DATE	NINE HUNDRED-TWENTY-FIVE-PLACE (1/345600)"	
DFE	DATE	NINE HUNDRED-THIRTY-PLACE (1/353280)"	
DFE	DATE	NINE HUNDRED-THIRTY-FIVE-PLACE (1/360960)"	
DFE	DATE	NINE HUNDRED-FORTY-PLACE (1/368640)"	
DFE	DATE	NINE HUNDRED-FORTY-FIVE-PLACE (1/376320)"	
DFE	DATE	NINE HUNDRED-FIFTY-PLACE (1/384000)"	
DFE	DATE	NINE HUNDRED-FIFTY-FIVE-PLACE (1/391680)"	
DFE	DATE	NINE HUNDRED-SIXTY-PLACE (1/399360)"	
DFE	DATE	NINE HUNDRED-SIXTY-FIVE-PLACE (1/407040)"	
DFE	DATE	NINE HUNDRED-SEVENTY-PLACE (1/414720)"	
DFE	DATE	NINE HUNDRED-SEVENTY-FIVE-PLACE (1/422400)"	
DFE	DATE	NINE HUNDRED-EIGHTY-PLACE (1/430080)"	
DFE	DATE	NINE HUNDRED-EIGHTY-FIVE-PLACE (1/437760)"	
DFE	DATE	NINE HUNDRED-NINETY-PLACE (1/445440)"	
DFE	DATE	NINE HUNDRED-NINETY-FIVE-PLACE (1/453120)"	
DFE	DATE	TEN HUNDRED-PLACE (1/460800)"	
DFE	DATE	TEN HUNDRED-FIVE-PLACE (1/468480)"	
DFE	DATE	TEN HUNDRED-TEN-PLACE (1/476160)"	
DFE	DATE	TEN HUNDRED-FIFTEEN-PLACE (1/483840)"	
DFE	DATE	TEN HUNDRED-TWENTY-PLACE (1/491520)"	
DFE	DATE	TEN HUNDRED-TWENTY-FIVE-PLACE (1/499200)"	
DFE	DATE	TEN HUNDRED-THIRTY-PLACE (1/506880)"	
DFE	DATE	TEN HUNDRED-THIRTY-FIVE-PLACE (1/514560)"	
DFE	DATE	TEN HUNDRED-FORTY-PLACE (1/522240)"	
DFE	DATE	TEN HUNDRED-FORTY-FIVE-PLACE (1/529920)"	
DFE	DATE	TEN HUNDRED-FIFTY-PLACE (1/537600)"	
DFE	DATE	TEN HUNDRED-FIFTY-FIVE-PLACE (1/545280)"	
DFE	DATE	TEN HUNDRED-SIXTY-PLACE (1/552960)"	
DFE	DATE	TEN HUNDRED-SIXTY-FIVE-PLACE (1/560640)"	
DFE	DATE	TEN HUNDRED-SEVENTY-PLACE (1/568320)"	
DFE	DATE	TEN HUNDRED-SEVENTY-FIVE-PLACE (1/576000)"	
DFE	DATE	TEN HUNDRED-EIGHTY-PLACE (1/583680)"	
DFE	DATE	TEN HUNDRED-EIGHTY-FIVE-PLACE (1/591360)"	
DFE	DATE	TEN HUNDRED-NINETY-PLACE (1/599040)"	
DFE	DATE	TEN HUNDRED-NINETY-FIVE-PLACE (1/606720)"	
DFE	DATE	ELEVEN HUNDRED-PLACE (1/614400)"	
DFE	DATE	ELEVEN HUNDRED-FIVE-PLACE (1/622080)"	
DFE	DATE	ELEVEN HUNDRED-TEN-PLACE (1/629760)"	
DFE	DATE	ELEVEN HUNDRED-FIFTEEN-PLACE (1/637440)"	
DFE	DATE	ELEVEN HUNDRED-TWENTY-PLACE (1/645120)"	
DFE	DATE	ELEVEN HUNDRED-TWENTY-FIVE-PLACE (1/652800)"	
DFE	DATE	ELEVEN HUNDRED-THIRTY-PLACE (1/660480)"	
DFE	DATE	ELEVEN HUNDRED-THIRTY-FIVE-PLACE (1/668160)"	
DFE	DATE	ELEVEN HUNDRED-FORTY-PLACE (1/675840)"	
DFE	DATE	ELEVEN HUNDRED-FORTY-FIVE-PLACE (1/683520)"	
DFE	DATE	ELEVEN HUNDRED-FIFTY-PLACE (1/691200)"	
DFE	DATE	ELEVEN HUNDRED-FIFTY-FIVE-PLACE (1/698880)"	
DFE	DATE	ELEVEN HUNDRED-SIXTY-PLACE (1/706560)"	
DFE	DATE	ELEVEN HUNDRED-SIXTY-FIVE-PLACE (1/714240)"	
DFE	DATE	ELEVEN HUNDRED-SEVENTY-PLACE (1/721920)"	
DFE	DATE	ELEVEN HUNDRED-SEVENTY-FIVE-PLACE (1/729600)"	
DFE	DATE	ELEVEN HUNDRED-EIGHTY-PLACE (1/737280)"	
DFE	DATE	ELEVEN HUNDRED-EIGHTY-FIVE-PLACE (1/744960)"	
DFE	DATE	ELEVEN HUNDRED-NINETY-PLACE (1/752640)"	
DFE	DATE	ELEVEN HUNDRED-NINETY-FIVE-PLACE (1/760320)"	
DFE	DATE	TWELVE HUNDRED-PLACE (1/768000)"	
DFE	DATE	TWELVE HUNDRED-FIVE-PLACE (1/775680)"	
DFE	DATE	TWELVE HUNDRED-TEN-PLACE (1/783360)"	
DFE	DATE	TWELVE HUNDRED-FIFTEEN-PLACE (1/791040)"	
DFE	DATE	TWELVE HUNDRED-TWENTY-PLACE (1/798720)"	
DFE	DATE	TWELVE HUNDRED-TWENTY-FIVE-PLACE (1/806400)"	
DFE	DATE	TWELVE HUNDRED-THIRTY-PLACE (1/814080)"	
DFE	DATE	TWELVE HUNDRED-THIRTY-FIVE-PLACE (1/821760)"	
DFE	DATE	TWELVE HUNDRED-FORTY-PLACE (1/829440)"	
DFE	DATE	TWELVE HUNDRED-FORTY-FIVE-PLACE (1/837120)"	
DFE	DATE	TWELVE HUNDRED-FIFTY-PLACE (1/844800)"	
DFE	DATE	TWELVE HUNDRED-FIFTY-FIVE-PLACE (1/852480)"	
DFE	DATE	TWELVE HUNDRED-SIXTY-PLACE (1/860160)"	
DFE	DATE	TWELVE HUNDRED-SIXTY-FIVE-PLACE (1/867840)"	
DFE	DATE	TWELVE HUNDRED-SEVENTY-PLACE (1/875520)"	
DFE	DATE	TWELVE HUNDRED-SEVENTY-FIVE-PLACE (1/883200)"	
DFE	DATE	TWELVE HUNDRED-EIGHTY-PLACE (1/890880)"	
DFE	DATE	TWELVE HUNDRED-EIGHTY-FIVE-PLACE (1/898560)"	
DFE	DATE	TWELVE HUNDRED-NINETY-PLACE (1/906240)"	
DFE	DATE	TWELVE HUNDRED-NINETY-FIVE-PLACE (1/913920)"	
DFE	DATE	THIRTEEN HUNDRED-PLACE (1/921600)"	
DFE	DATE	THIRTEEN HUNDRED-FIVE-PLACE (1/929280)"	
DFE	DATE	THIRTEEN HUNDRED-TEN-PLACE (1/936960)"	
DFE	DATE	THIRTEEN HUNDRED-FIFTEEN-PLACE (1/944640)"	
DFE	DATE	THIRTEEN HUNDRED-TWENTY-PLACE (1/952320)"	
DFE	DATE	THIRTEEN HUNDRED-TWENTY-FIVE-PLACE (1/960000)"	
DFE	DATE	THIRTEEN HUNDRED-THIRTY-PLACE (1/967680)"	
DFE	DATE	THIRTEEN HUNDRED-THIRTY-FIVE-PLACE (1/975360)"	
DFE	DATE	THIRTEEN HUNDRED-FORTY-PLACE (1/983040)"	
DFE	DATE	THIRTEEN HUNDRED-FORTY-FIVE-PLACE (1/990720)"	
DFE	DATE	THIRTEEN HUNDRED-FIFTY-PLACE (1/998400)"	
DFE	DATE	THIRTEEN HUNDRED-FIFTY-FIVE-PLACE (1/1006080)"	
DFE	DATE	THIRTEEN HUNDRED-SIXTY-PLACE (1/1013760)"	
DFE	DATE	THIRTEEN HUNDRED-SIXTY-FIVE-PLACE (1/1021440)"	
DFE	DATE	THIRTEEN HUNDRED-SEVENTY-PLACE (1/1029120)"	
DFE	DATE	THIRTEEN HUNDRED-SEVENTY-FIVE-PLACE (1/1036800)"	
DFE	DATE	THIRTEEN HUNDRED-EIGHTY-PLACE (1/1044480)"	
DFE	DATE	THIRTEEN HUNDRED-EIGHTY-FIVE-PLACE (1/1052160)"	
DFE	DATE	THIRTEEN HUNDRED-NINETY-PLACE (1/1059840)"	
DFE	DATE	THIRTEEN HUNDRED-NINETY-FIVE-PLACE (1/1067520)"	
DFE	DATE	FOURTEEN HUNDRED-PLACE (1/1075200)"	
DFE	DATE	FOURTEEN HUNDRED-FIVE-PLACE (1/1082880)"	
DFE	DATE	FOURTEEN HUNDRED-TEN-PLACE (1/1090560)"	
DFE	DATE	FOURTEEN HUNDRED-FIFTEEN-PLACE (1/1098240)"	
DFE	DATE	FOURTEEN HUNDRED-TWENTY-PLACE (1/1105920)"	
DFE	DATE	FOURTEEN HUNDRED-TWENTY-FIVE-PLACE (1/1113600)"	
DFE	DATE	FOURTEEN HUNDRED-THIRTY-PLACE (1/1121280)"	
DFE	DATE	FOURTEEN HUNDRED-THIRTY-FIVE-PLACE (1/1128960)"	
DFE	DATE	FOURTEEN HUNDRED-FORTY-PLACE (1/1136640)"	
DFE	DATE	FOURTEEN HUNDRED-FORTY-FIVE-PLACE (1/1144320)"	
DFE	DATE	FOURTEEN HUNDRED-FIFTY-PLACE (1/1152000)"	
DFE	DATE	FOURTEEN HUNDRED-FIFTY-FIVE-PLACE (1/1159680)"	
DFE	DATE	FOURTEEN HUNDRED-SIXTY-PLACE (1/1167360)"	
DFE	DATE	FOURTEEN HUNDRED-SIXTY-FIVE-PLACE (1/1175040)"	
DFE	DATE	FOURTEEN HUNDRED-SEVENTY-PLACE (1/1182720)"	
DFE	DATE	FOURTEEN HUNDRED-SEVENTY-FIVE-PLACE (1/1190400)"	
DFE	DATE	FOURTEEN HUNDRED-EIGHTY-PLACE (1/1198080)"	
DFE	DATE	FOURTEEN HUNDRED-EIGHTY-FIVE-PLACE (1/1205760)"	
DFE	DATE	FOURTEEN HUNDRED-NINETY-PLACE (1/1213440)"	
DFE	DATE	FOURTEEN HUNDRED-NINETY-FIVE-PLACE (1/1221120)"	
DFE	DATE	FIFTEEN HUNDRED-PLACE (1/1228800)"	
DFE	DATE	FIFTEEN HUNDRED-FIVE-PLACE (1/1236480)"	
DFE	DATE	FIFTEEN HUNDRED-TEN-PLACE (1/1244160)"	
DFE	DATE	FIFTEEN HUNDRED-FIFTEEN-PLACE (1/1251840)"	
DFE	DATE	FIFTEEN HUNDRED-TWENTY-PLACE (1/1259520)"	
DFE	DATE	FIFTEEN HUNDRED-TWENTY-FIVE-PLACE (1/1267200)"	
DFE	DATE	FIFTEEN HUNDRED-THIRTY-PLACE (1/1274880)"	
DFE	DATE	FIFTEEN HUNDRED-THIRTY-FIVE-PLACE (1/1282560)"	
DFE	DATE	FIFTEEN HUNDRED-FORTY-PLACE (1/1290240)"	
DFE	DATE	FIFTEEN HUNDRED-FORTY-FIVE-PLACE (1/1297920)"	
DFE	DATE	FIFTEEN HUNDRED-FIFTY-PLACE (1/1305600)"	
DFE	DATE	FIFTEEN HUNDRED-FIFTY-FIVE-PLACE (1/1313280)"	
DFE	DATE	FIFTEEN HUNDRED-SIXTY-PLACE (1/1320960)"	
DFE	DATE	FIFTEEN HUNDRED-SIXTY-FIVE-PLACE (1/1328640)"	
DFE	DATE	FIFTEEN HUNDRED-SEVENTY-PLACE (1/1336320)"	
DFE	DATE	FIFTEEN HUNDRED-SEVENTY-FIVE-PLACE (1/1344000)"	
DFE	DATE	FIFTEEN HUNDRED-EIGHTY-PLACE (1/1351680)"	
DFE	DATE	FIFTEEN HUNDRED-EIGHTY-FIVE-PLACE (1/1359360)"	
DFE	DATE	FIFTEEN HUNDRED-NINETY-PLACE (1/1367040)"	
DFE	DATE	FIFTEEN HUNDRED-NINETY-FIVE-PLACE (1/1374720)"	
DFE	DATE	SIXTEEN HUNDRED-PLACE (1/1382400)"	
DFE	DATE	SIXTEEN HUNDRED-FIVE-PLACE (1/1390080)"	
DFE	DATE	SIXTEEN HUNDRED-TEN-PLACE (1/1397760)"	
DFE	DATE	SIXTEEN HUNDRED-FIFTEEN-PLACE (1/1405440)"	
DFE	DATE	SIXTEEN HUNDRED-TWENTY-PLACE (1/1413120)"	
DFE	DATE	SIXTEEN HUNDRED-TWENTY-FIVE-PLACE (1/1420800)"	
DFE	DATE	SIXTEEN HUNDRED-THIRTY-PLACE (1/1428480)"	
DFE	DATE	SIXTEEN HUNDRED-THIRTY-FIVE-PLACE (1/1436160)"	
DFE	DATE	SIXTEEN HUNDRED-FORTY-PLACE (1/1443840)"	
DFE	DATE	SIXTEEN HUNDRED-FORTY-FIVE-PLACE (1/1451520)"	
DFE	DATE	SIXTEEN HUNDRED-FIFTY-PLACE (1/1459200)"	
DFE	DATE	SIXTEEN HUNDRED-FIFTY-FIVE-PLACE (1/1466880)"	
DFE	DATE	SIXTEEN HUNDRED-SIXTY-PLACE (1/1474560)"	
DFE	DATE	SIXTEEN HUNDRED-SIXTY-FIVE-PLACE (1/1482240)"	
DFE	DATE	SIXTEEN HUNDRED-SEVENTY-PLACE (1/1489920)"	
DFE	DATE	SIXTEEN HUNDRED-SEVENTY-FIVE-PLACE (1/1497600)"	
DFE			



- NOTES:
- ⑩ USE WITH WIE EXPORT PREP PACKAGE.
  - ⑨ NOT USED WITH WIE EXPORT PREP PACKAGE.
  - ⑧ WITH SATELLITE SYSTEM WITH RECIEVER.
  - 7. WHERE WIRES PASS THROUGH HOLES IN STEEL AND ARE NOT OTHERWISE PROTECTED, USE GROMMET 92908-02-000.
  - ⑥ REMOVE VINYL FROM CUTOUT AT INSTALLATION.
  - ⑤ USE WITH TV,VCR,SWITCHING CONTROL CENTER,INVERTER AND TV ANTENNA ONLY.
  - ④ USE WITH TV,VCR,SWITCHING CONTROL CENTER AND TV ANTENNA ONLY.
  - ③ USE WITH TV,INVERTER AND TV ANTENNA ONLY.
  - ② USE WITH TV AND TV ANTENNA ONLY.
  - ① USE WITH TV ANTENNA ONLY.

TV-19"-STEREO  
124075-02-000

AMPLIFIER-STEREO  
126755-01-000  
FASTENER-DUAL LOCK  
85774-01-000  
85774-02-000  
(SEE DETAIL J)

VCR-VHS-STEREO  
124073-02-000  
FASTENER-DUAL LOCK  
85774-01-000  
85774-02-000

CONTROL CENTER-SWITCHING  
86757-03-000  
TAPE-FOAM  
MOUNT-SWITCH\_BOTTOM  
118847-01-CHT  
SCREW  
G39-10-10B(4)

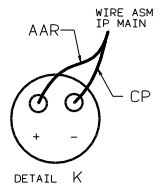
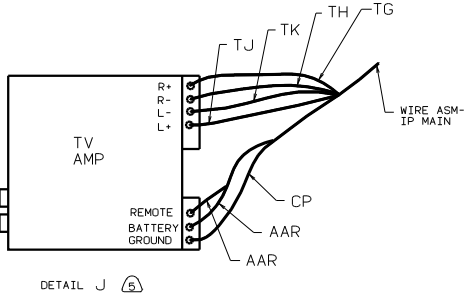
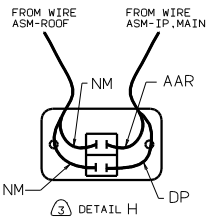
CAPACITOR  
119930-01-000  
WIRE TIE  
108041-01-000  
SCREW  
G39-08-10B  
BOOT  
77479-02-000  
(SEE DETAIL K)

RECP  
86738-01-CHT

SWITCH  
120192-01-CHT  
PLATE-SWITCH  
98351-09-CHT  
SCREW  
G11-06-16U (2)  
(SEE DETAIL H)

PLATE-WALL, ANTENNA  
86784-03-CHT

SATELLITE RECIEVER  
120233-02-000  
FASTNER-DUAL LOCK  
85774-01-000  
85774-02-000



- 5 SET BASS AND TREBLE CONTROLS TO MAXIMUM CLOCKWISE DIRECTION. SET GAIN CONTROL TO MID POSITION.
- 4. WHERE WIRES PASS THROUGH HOLES IN STEEL AND ARE NOT OTHERWISE PROTECTED, USE GROMMET 92908-02-000.
- 3 NOT USED WITH DELUXE SOUND SYSTEM.
- 2 WITH SATELLITE SYSTEM RECIEVER.
- 1 REMOVE VINYL FROM CUTOUT AT INSTALLATION.

TV-19"  
124075-01-000

AMPLIFIER-TV  
115540-01-000  
FASTENER-DUAL LOCK  
85774-01-000  
85774-02-000  
(SEE DETAIL M)

VCR-VHS  
124073-03-000  
FASTENER-DUAL LOCK  
85774-01-000  
85774-02-000

CONTROL CENTER-SWITCHING  
86757-03-000  
TAPE-FOAM  
MOUNT-SWITCH BOTTOM  
118847-01-CHT  
SCREW  
G39-10-10B(4)

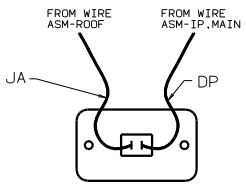
INVERTER-130 WATT  
99048-03-000  
SCREW  
G67-08-08U (4)

PLATE-WALL ANTENNA  
86784-01-CHT  
86784-03-CHT

RECP  
86738-01-CHT

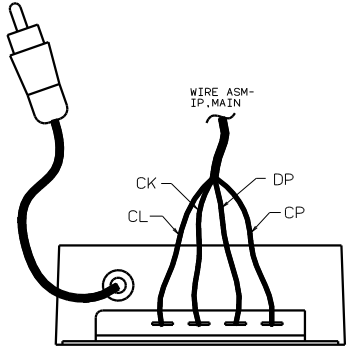
SWITCH  
89308-01-CHT  
PLATE-SWITCH  
98351-09-CHT  
SCREW  
G11-06-16U (2)  
(SEE DETAIL L)

SATELLITE RECIEVER  
120233-02-000  
FASTNER-DUAL LOCK  
85774-01-000  
85774-02-000



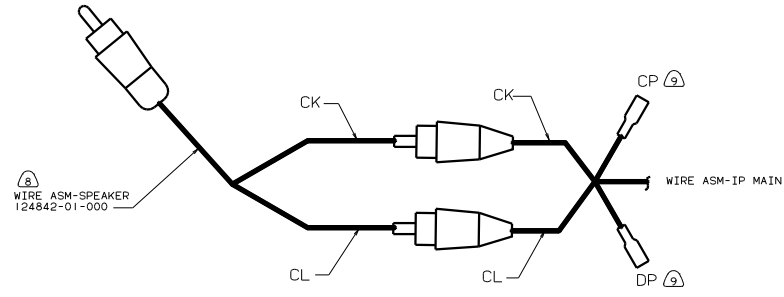
VIEW L

TO TV SPEAKER OUTPUT



DETAIL M (9)

TO TV SPEAKER OUTPUT

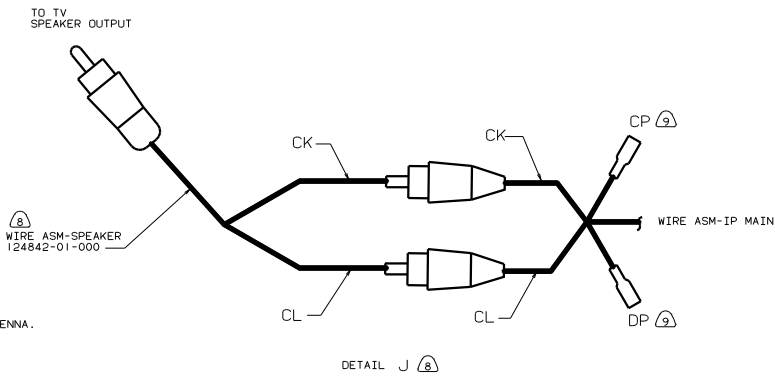
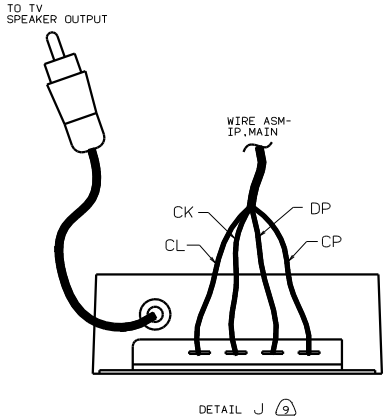
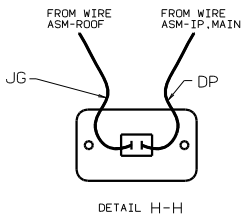
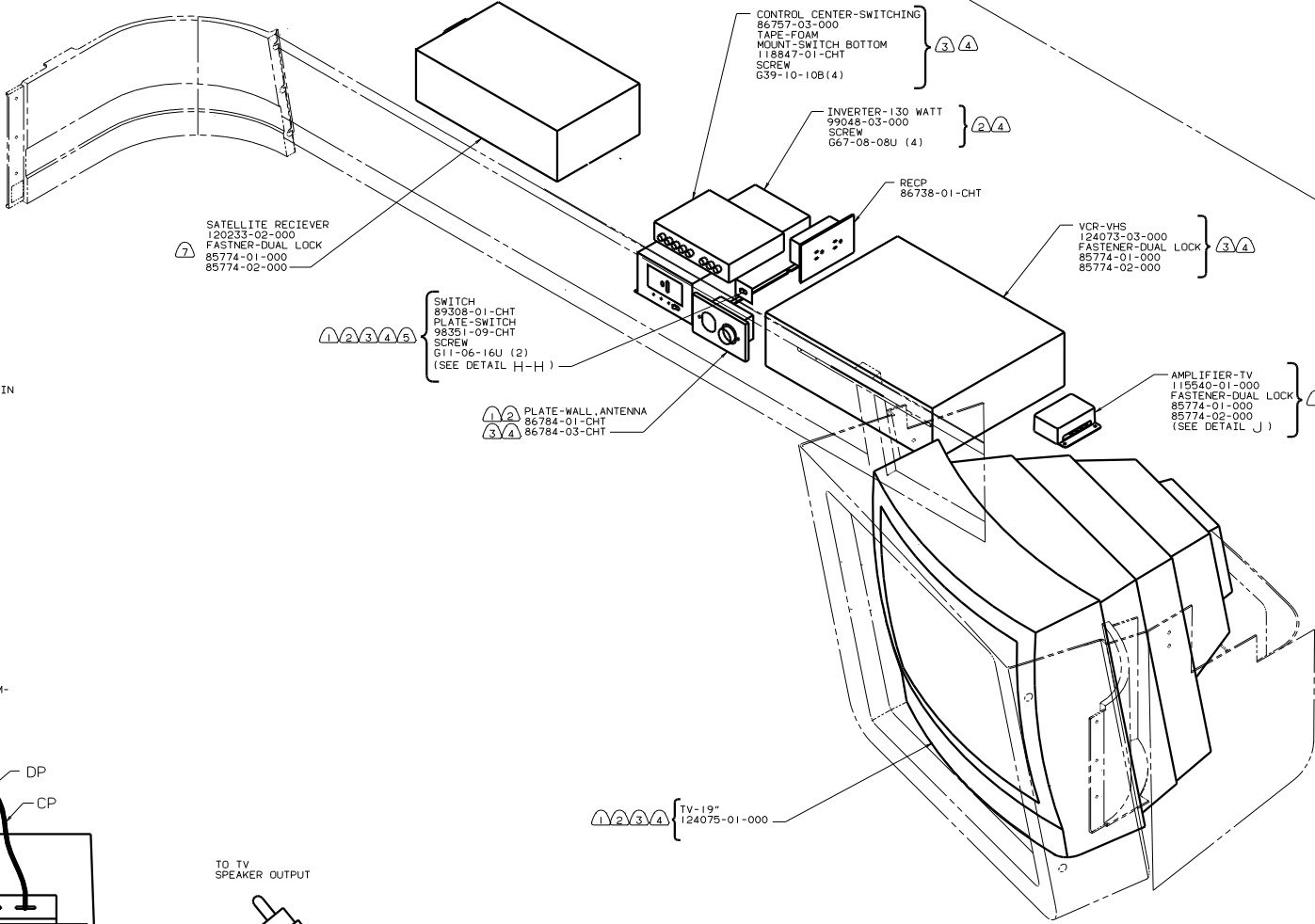


DETAIL M (8)

- (9) NOT USED WITH DELUXE SOUND SYSTEM.
- (8) WITH DELUXE SOUND SYSTEM.
- (7) WITH SATELLITE SYSTEM RECIEVER.
- 6. WHERE WIRES PASS THROUGH HOLES IN STEEL AND ARE NOT OTHERWISE PROTECTED, USE GROMMET 92905-02-000.
- (5) REMOVE VINYL FROM CUTOUT AT INSTALLATION.
- (4) USE WITH TV,VCR,SWITCHING CONTROL CENTER,INVERTER AND TV ANTENNA.
- (3) USE WITH TV,VCR,SWITCHING CONTROL CENTER AND TV ANTENNA.
- (2) USE WITH TV,INVERTER AND TV ANTENNA ONLY.
- (1) USE WITH TV AND TV ANTENNA ONLY.

NOTES:

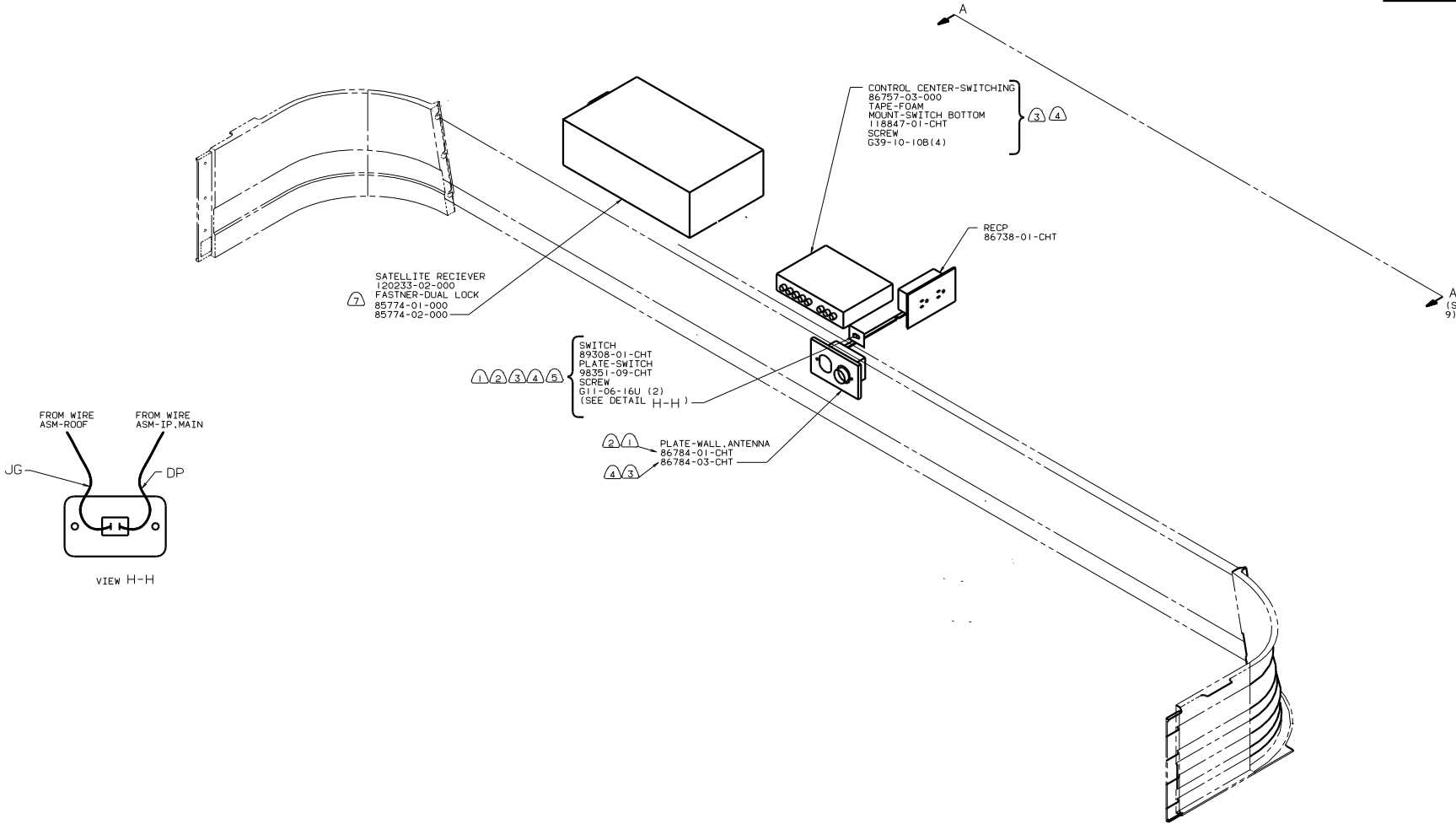
97 M-SERIES  
WIDE BODY  
SIDE TV LEFT



- (9) NOT USED WITH DELUXE SOUND SYSTEM.
- (8) WITH DELUXE SOUND SYSTEM.
- (7) WITH SATELLITE SYSTEM RECIEVER.
- 6. WHERE WIRES PASS THROUGH HOLES IN STEEL AND ARE NOT OTHERWISE PROTECTED, USE GROMMET 92905-02-000.
- (5) REMOVE VINYL FROM CUTOUT AT INSTALLATION.
- (4) USE WITH TV,VCR,SWITCHING CONTROL CENTER,INVERTER AND TV ANTENNA.
- (3) USE WITH TV,VCR,SWITCHING CONTROL CENTER AND TV ANTENNA.
- (2) USE WITH TV,INVERTER AND TV ANTENNA ONLY.
- (1) USE WITH TV AND TV ANTENNA ONLY.

97 M-SERIES  
WIDE BODY RIGHT  
HAND TV

TITLE		WIRING INSTL-TV/VCR_FRONT	
NO. OF SHEETS	5	SHEET NO.	5
REV.	1	REV. NO.	1
DATE		122837	

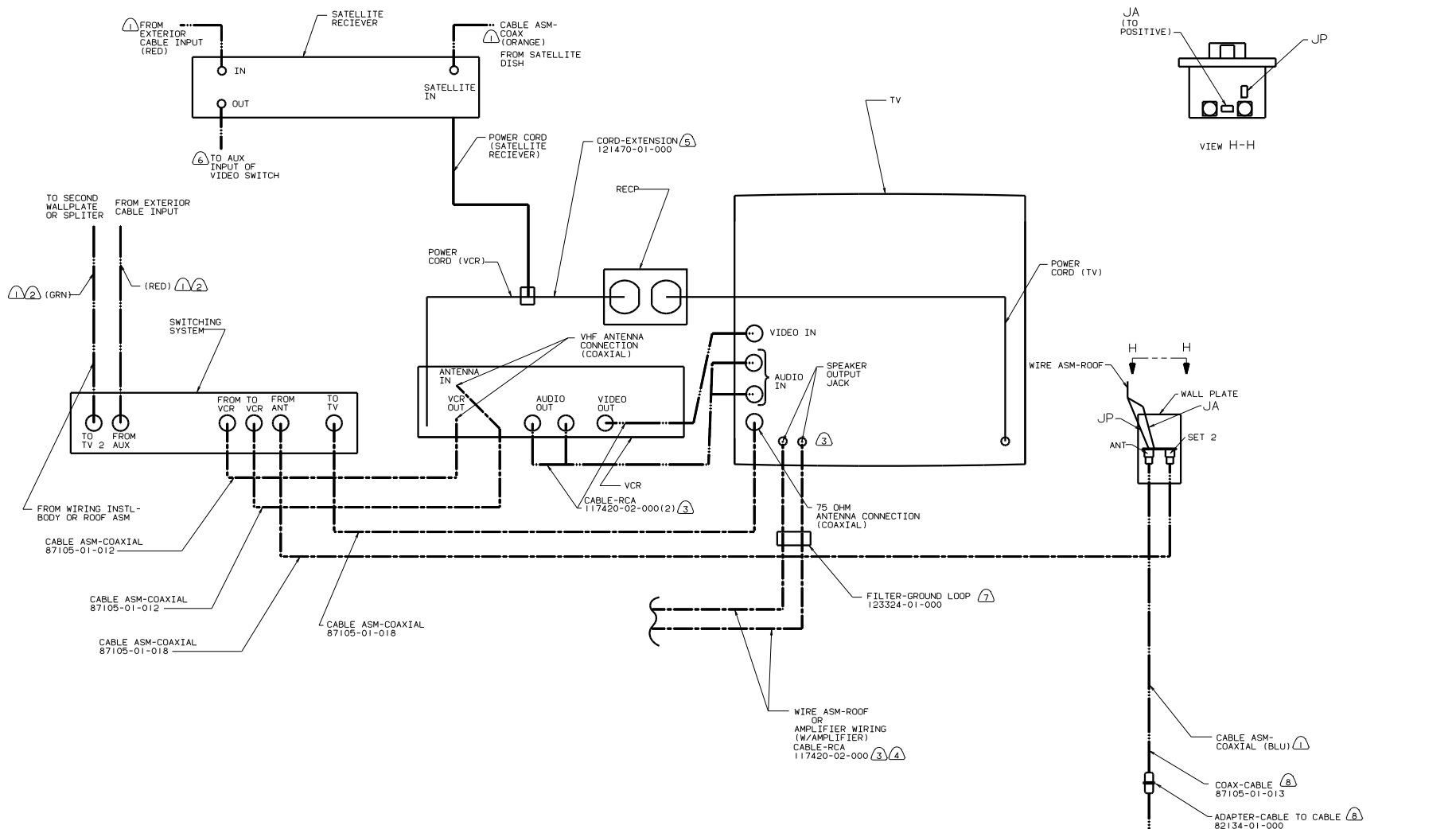


- ⑧ SEE WIRING INSTL-TV/VCR SIDE FOR ADDITIONAL INFORMATION.
- ⑦ WITH SATELLITE SYSTEM RECIEVER.
- ⑥ WHERE WIRES PASS THROUGH HOLES IN STEEL AND ARE NOT OTHERWISE PROTECTED, USE GROMMET 92908-02-000.
- ⑤ REMOVE VINYL FROM CUTOUT AT INSTALLATION.
- ④ USE WITH TV VCR SWITCHING CONTROL CENTER INVERTER AND TV ANTENNA.
- ③ USE WITH TV VCR SWITCHING CONTROL CENTER AND TV ANTENNA.
- ② USE WITH TV INVERTER AND TV ANTENNA ONLY.
- ① USE WITH TV AND TV ANTENNA ONLY.

NOTES:

97 M36WQ  
WITH SIDE ENT CTR

TITLE		122837	
WIRING INSTL-TV/VCR_FRONT			
NO OF SHEETS	TOTAL SHEETS	DATE	REV
6 OF 9	6		



VIEW A-A  
 (COAXIAL HOOK-UP)  
 (WITHOUT INVERTER)  
 (WITH TV AND VCR)  
 (WITH SATELLITE RECEIVER)

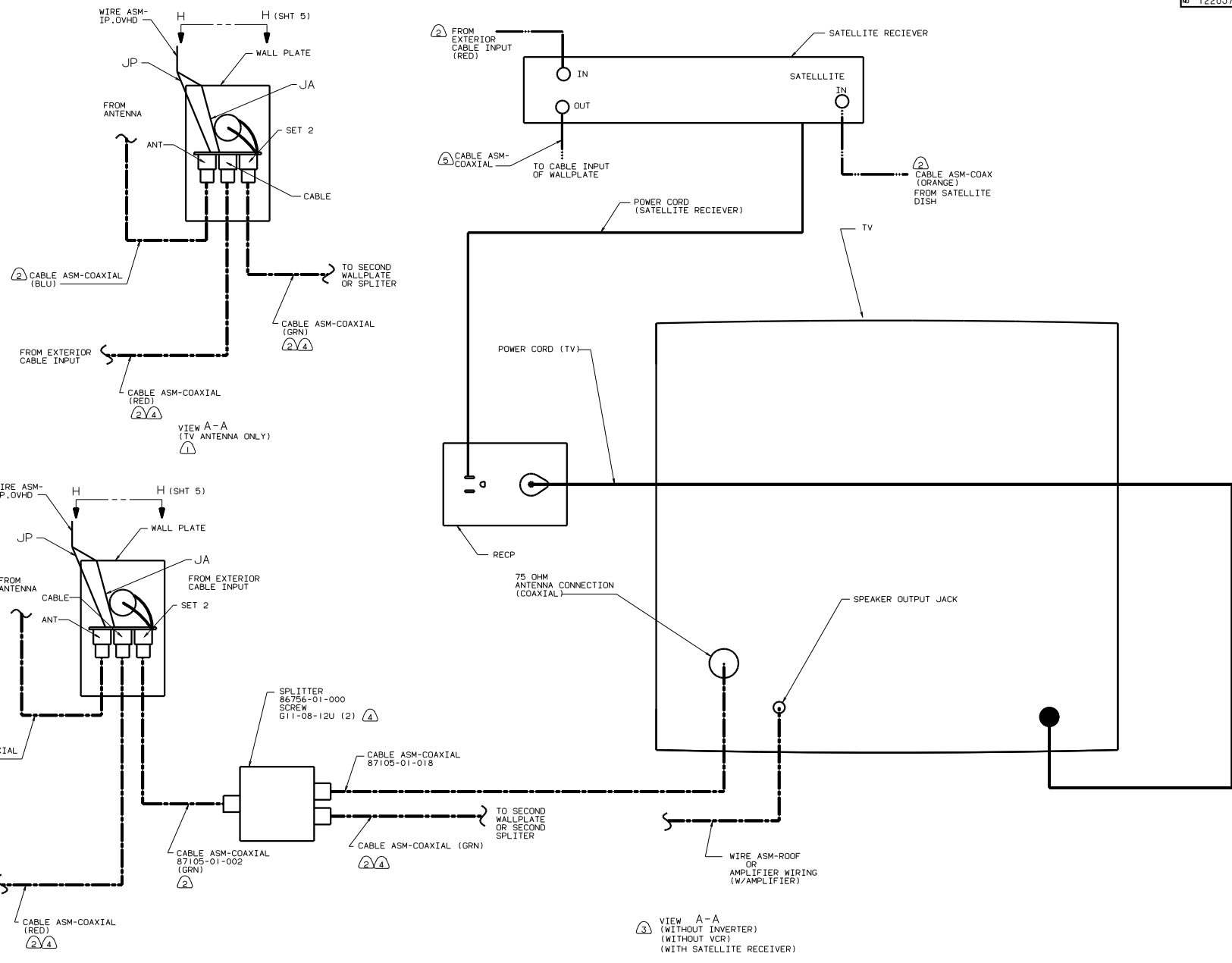
- ⑧ USE WITH SHELL ONLY.
- ⑦ WITH 0-BODY DELUXE SOUND SYSTEM ONLY.
- ⑥ SUPPLIED WITH SATELLITE RECEIVER.
- ⑤ WITH SATELLITE RECEIVER ONLY.
- ④ NOT USED WITH 0-BODY DELUXE SOUND SYSTEM.
- ③ 0-SERIES ONLY.
- ② NOT USED ON SHELL.
- ① CABLE ASM MARKED WITH COLORED TAPE.

NOTES:

EXCEPT M36W0  
 WITH SIDE ENT CENTER

TITLE		WIRING INSTL-TV/VCR FRONT	
NO. OF SHEETS	NO. OF SHEETS	REV.	REV.
7	9	1	1
SHEET 7 OF 9		122837	

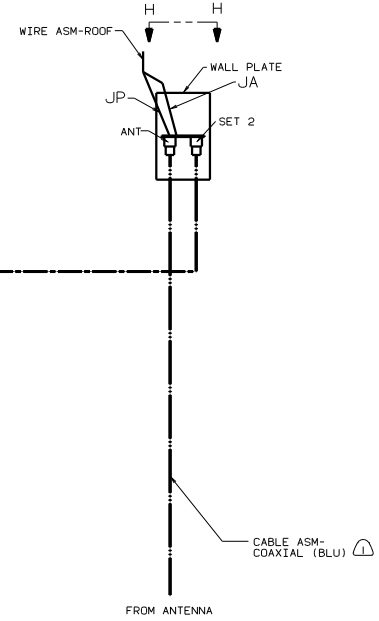
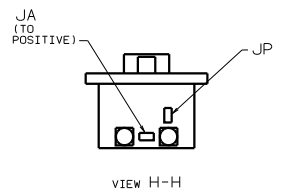
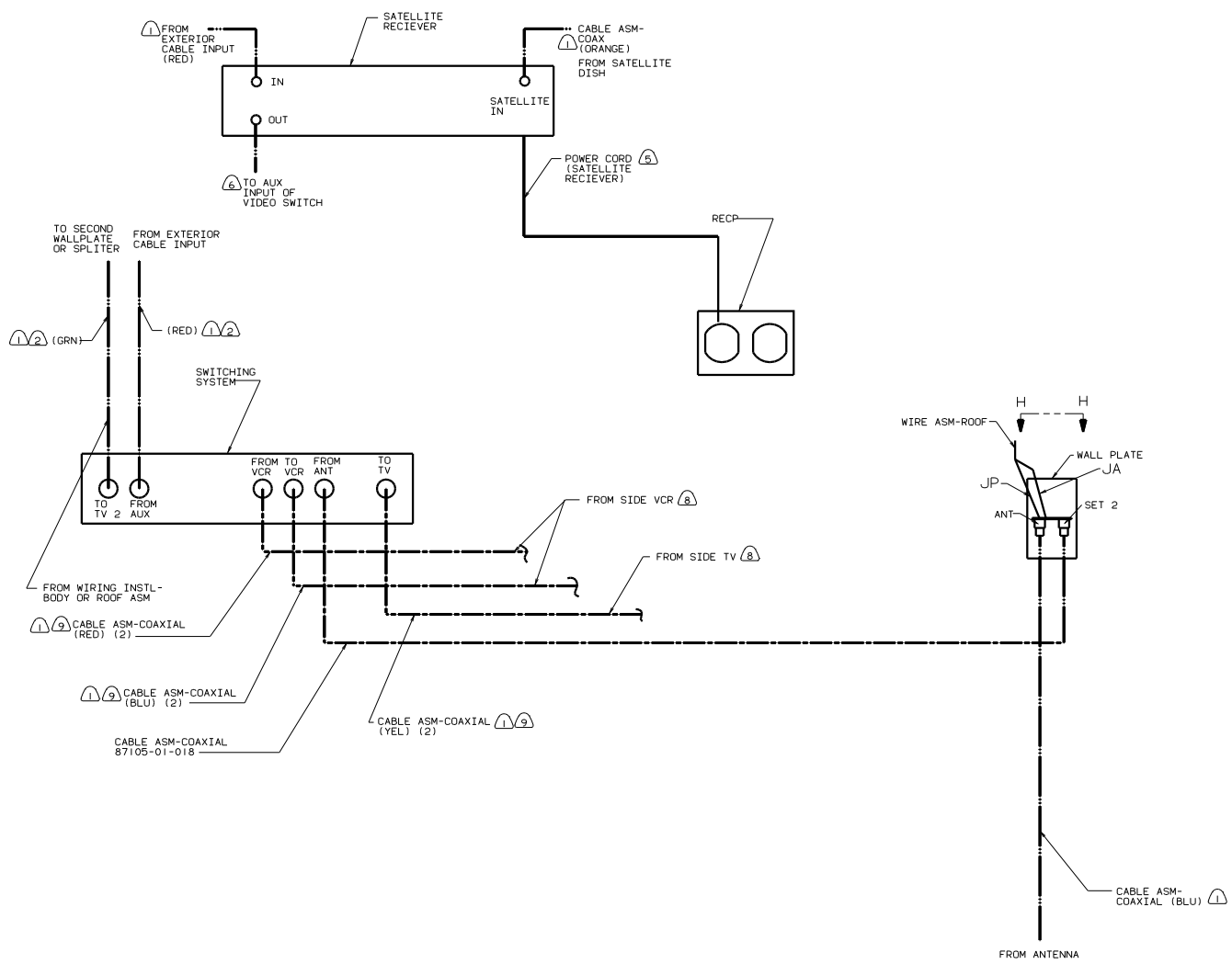




- (5) SUPPLIED WITH SATELLITE RECEIVER.
- (4) NOT USED ON SHELL.
- (3) USE WITH TV ANTENNA AND TV ONLY.
- (2) CABLE ASM MARKED WITH COLORED TAPE AS INDICATED.
- (1) USE WITH TV ANTENNA ONLY.

EXCEPT M36W0  
WITH SIDE ENT CENTER

TITLE		WIRING INSTL - TV/VCR_FRONT	
NO. OF SHEETS	8	OF	8
SHEET NO.	8	REV. NO.	1
DATE		122837	



- ⑨ CABLE ASM FROM ROOF ASM.
- ⑧ SEE WIRING INSTL-TV/VCR,SIDE FOR ADDITIONAL INFORMATION.
- ⑦ WITH DELUXE SOUND SYSTEM ONLY.
- ⑥ SUPPLIED WITH SATELLITE RECEIVER.
- ⑤ WITH SATELLITE RECEIVER ONLY.
- ④ NOT USED WITH DELUXE SOUND SYSTEM.
- ③ O-SERIES ONLY.
- ② NOT USED ON SHELL.
- ① CABLE ASM MARKED WITH COLORED TAPE.

NOTES:

M36WQ  
WITH SIDE ENT CTR

TITLE		122837	
WIRING INSTL-TV/VCR,FRONT			
DATE	REV	BY	CHK
11/83	1		
SHEET 3 OF 3		122837	