



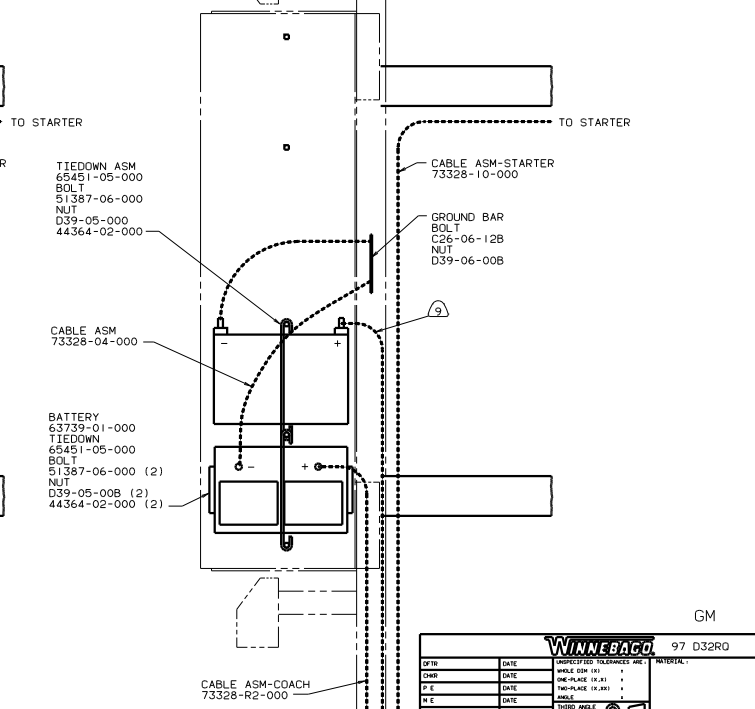
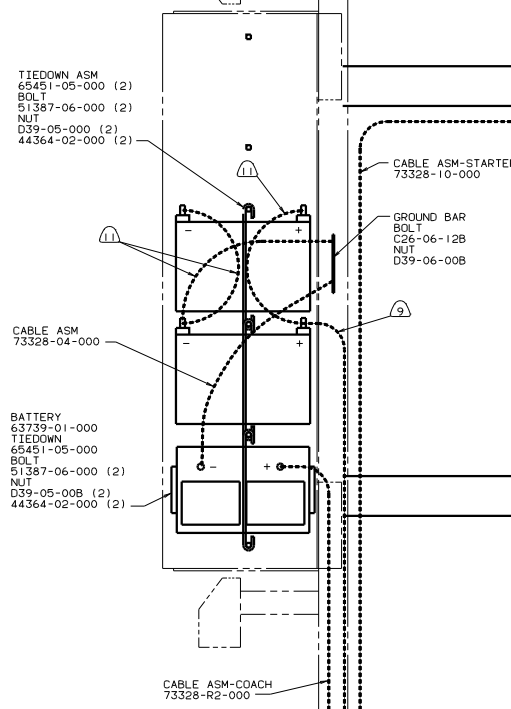
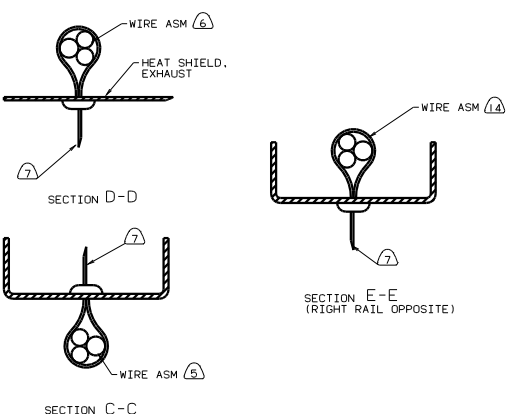
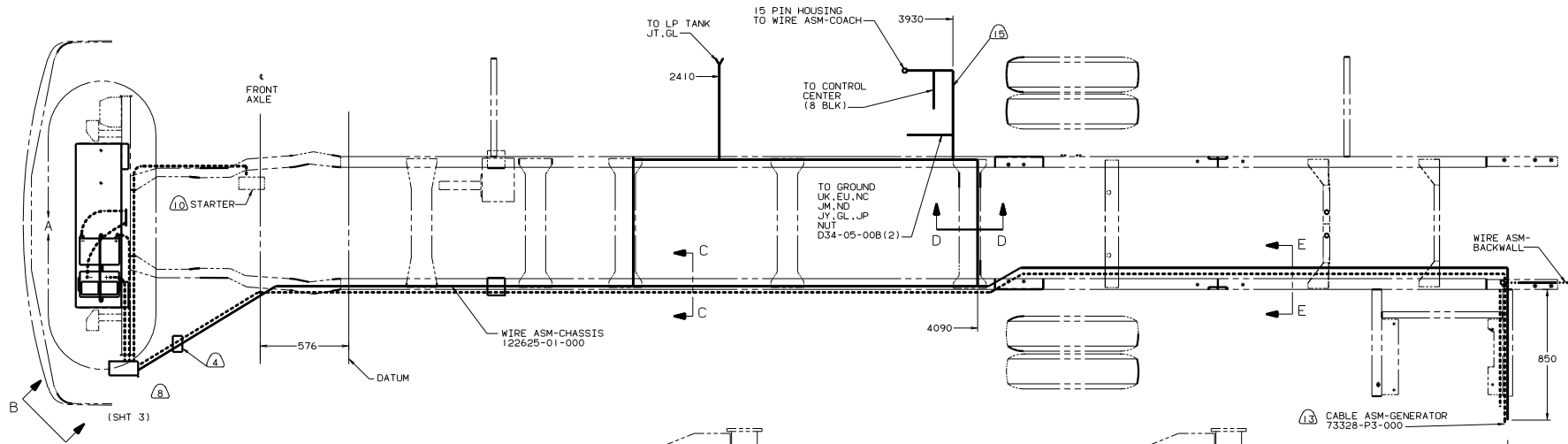
**DANGER**

**Danger of electrical shock, burns or death.** Always remove all power sources before attempting any repair, service or diagnostic work. Power can be present from shore power, generator, inverter or battery. All power sources must be disabled and secured before performing any service.



**CAUTION**

If you lack the skills, tools or equipment to perform diagnostic or repair work leave such work to an authorized Winnebago Industries dealer or other qualified shop.



- (15) WIRES TO BE TIED TO LOWER FLOOR SUPPORT FRAME.
  - (14) WIRES TO BE TIED INSIDE OF RAIL USING EXISTING HOLES.
  - (13) USE WITH GENERATOR ONLY.
  - (12) USE TWO NUTS HERE TO ACCOUNT FOR BATTERY HEIGHT DIFFERENCE.
  - (11) SUPPLIED WITH CHASSIS.
  - (10) BATTERY CABLE MUST BE INSTALLED TO STARTER MOTOR BEFORE ENGINE WIRING HARNESS AND ROUTED IN SUCH A MANNER AS TO PREVENT ANY POSSIBLE DEGRADATION FROM THE EXHAUST SYSTEM.
  - (9) CHASSIS SUPPLIED STARTER CABLE RE-USED FOR CHASSIS CABLE.
  - (8) SEE WIRING INSTALLATION FRONT END FOR ADDITIONAL INFORMATION.
  - (7) CUT OFF EXCESS END OF WIRE TIE.
  - (6) WIRES TO BE TIED TO HEAT SHIELD USING EXISTING HOLES.
  - (5) WIRES TO BE TIED OUTSIDE OF RAIL USING EXISTING HOLES.
  - (4) CLAMP 83610-01-000, SCREW G39-08-12B.
3. USE WIRE TIES 8343-01-000 AND 116673-01-000 APPROXIMATELY 600 ON CENTER UNLESS OTHERWISE SPECIFIED.
2. SECURE CONDUIT 41953-01-000 OVER ALL WIRES IN CONTACT WITH SHARP EDGES.
1. LEGEND: — WINNEBAGO; ..... CABLE; — CHASSIS SUPPLIED.

GM 97 D32R0

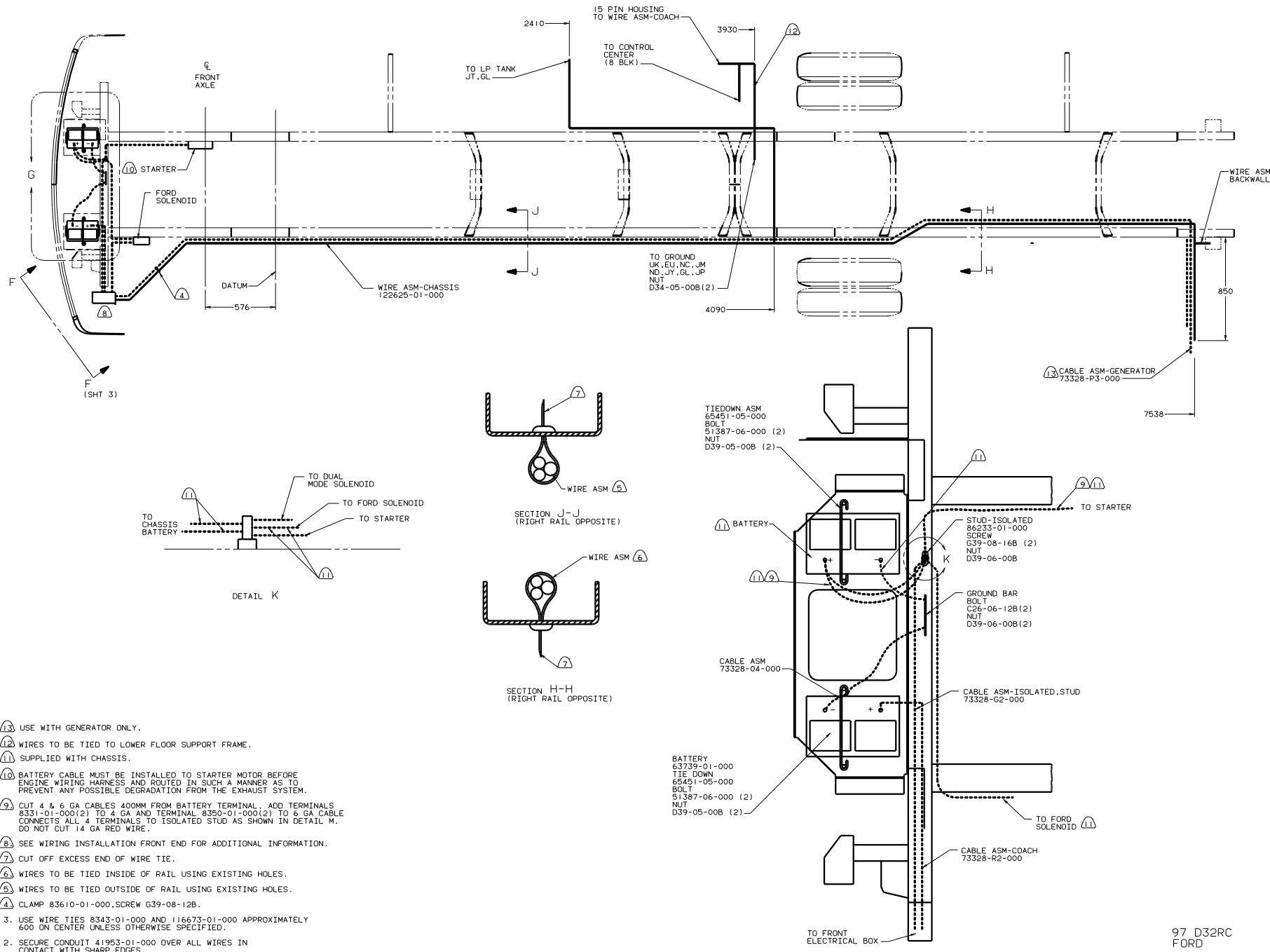
**WINNEBAGO**

DATE	UNSPECIFIED TOLERANCES ARE	MATERIAL
DATE	WHOLE DIM IN	
DATE	ONE-PLACE IN .01	
DATE	TWO-PLACE IN .001	
DATE	THREE-PLACE IN .0005	
DATE	THREE-PLACE IN .0005	
DATE	THREE-PLACE IN .0005	

WIRING INSTL-CHASSIS

SHEET 1 OF 3

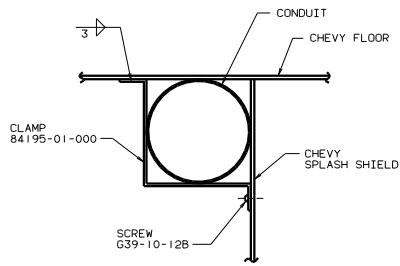
REF: 120985 F 1



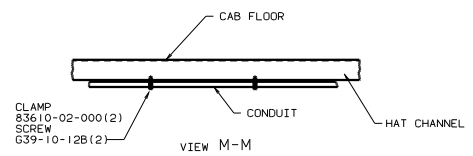
- 13 USE WITH GENERATOR ONLY.
  - 12 WIRES TO BE TIED TO LOWER FLOOR SUPPORT FRAME.
  - 11 SUPPLIED WITH CHASSIS.
  - 10 BATTERY CABLE MUST BE INSTALLED TO STARTER MOTOR BEFORE ENGINE WIRING HARNESS AND ROUTED IN SUCH A MANNER AS TO PREVENT ANY POSSIBLE DEGRADATION FROM THE EXHAUST SYSTEM.
  - 9 CUT 4 & 6 GA CABLES 400MM FROM BATTERY TERMINAL. ADD TERMINALS 8331-01-000(2) TO 4 GA AND TERMINAL 8350-01-000(2) TO 6 GA CABLE CONNECTS ALL 4 TERMINALS TO ISOLATED STUD AS SHOWN IN DETAIL M. DO NOT CUT 14 GA RED WIRE.
  - 8 SEE WIRING INSTALLATION FRONT END FOR ADDITIONAL INFORMATION.
  - 7 CUT OFF EXCESS END OF WIRE TIE.
  - 6 WIRES TO BE TIED INSIDE OF RAIL USING EXISTING HOLES.
  - 5 WIRES TO BE TIED OUTSIDE OF RAIL USING EXISTING HOLES.
  - 4 CLAMP 83610-01-000, SCREW G39-08-12B.
3. USE WIRE TIES 8343-01-000 AND 116673-01-000 APPROXIMATELY 600 ON CENTER UNLESS OTHERWISE SPECIFIED.
2. SECURE CONDUIT 41953-01-000 OVER ALL WIRES IN CONTACT WITH SHARP EDGES.
1. LEGEND: — WINNEBAGO; ..... CABLE; — CHASSIS SUPPLIED.

97 D32RC FORD

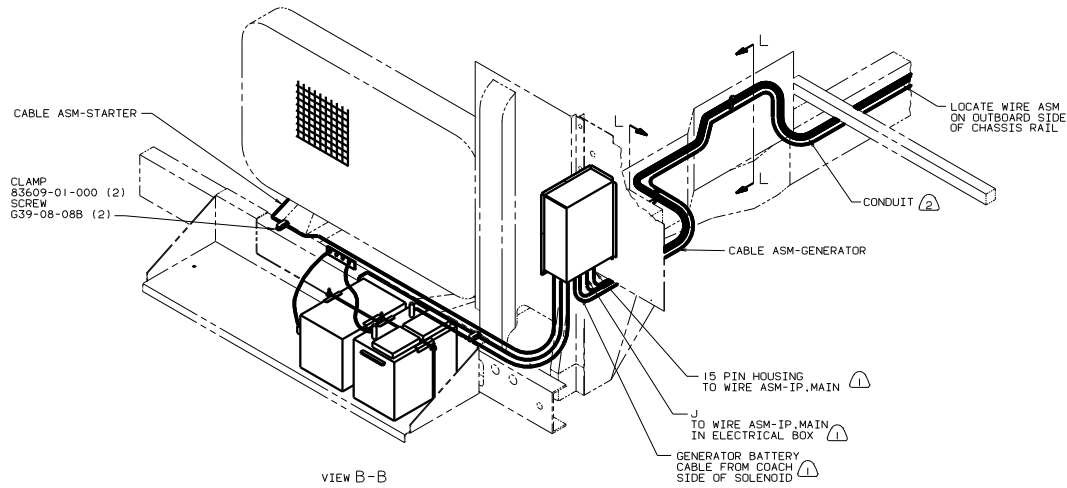
TITLE		WIRING INSTL-CHASSIS	
DO NOT SCALE DRAWING	REV	DATE	NO
SHEET 2 OF 3	1		122455



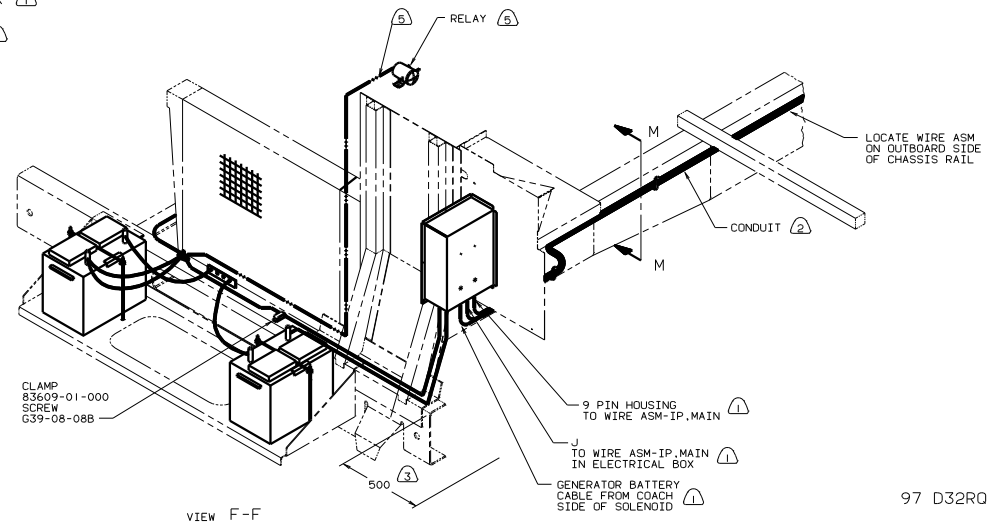
VIEW L-L  
(2 PLCS)



VIEW M-M



VIEW B-B



VIEW F-F

- ② SUPPLIED WITH CHASSIS
- ⚠ SEE WIRING INSTL-FRONT END FOR ADDITIONAL INFORMATION

NOTES

97 D32RQ

TITLE		WIRING INSTL-CHASSIS	
NO. OF SHEETS	3	SHEET	3 OF 3
REV.	1.0	DATE	122455