



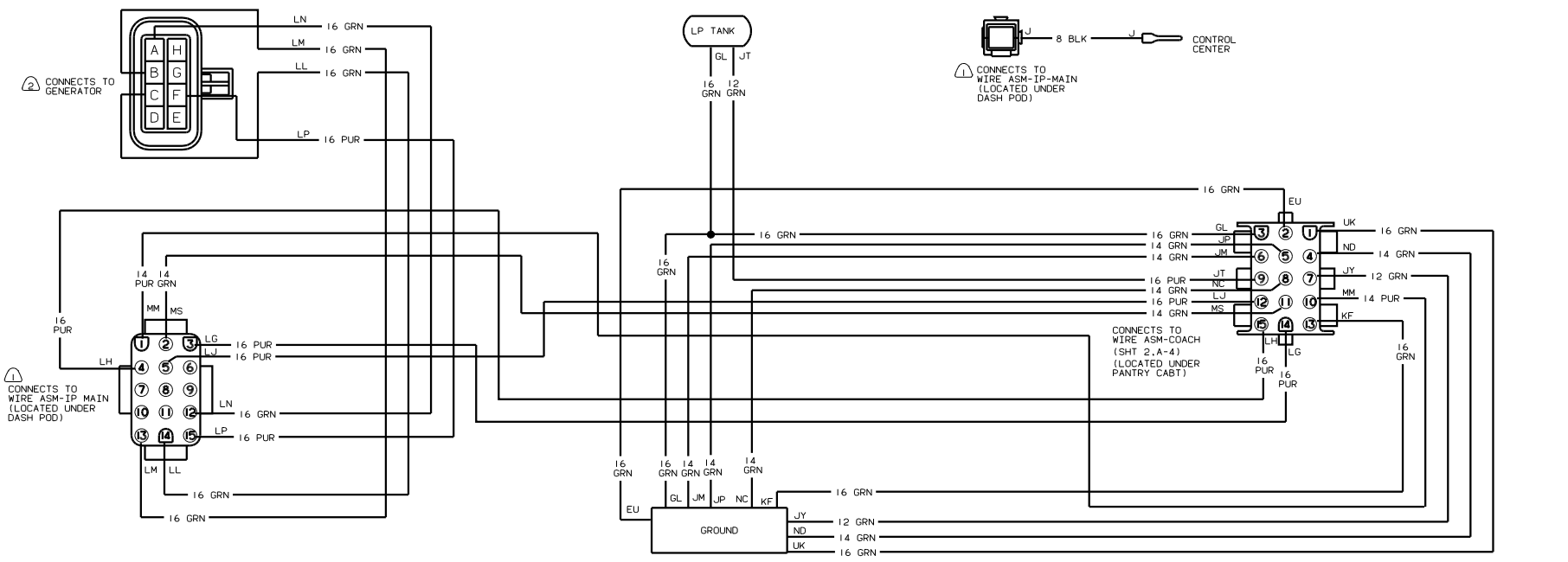
DANGER

Danger of electrical shock, burns or death. Always remove all power sources before attempting any repair, service or diagnostic work. Power can be present from shore power, generator, inverter or battery. All power sources must be disabled and secured before performing any service.

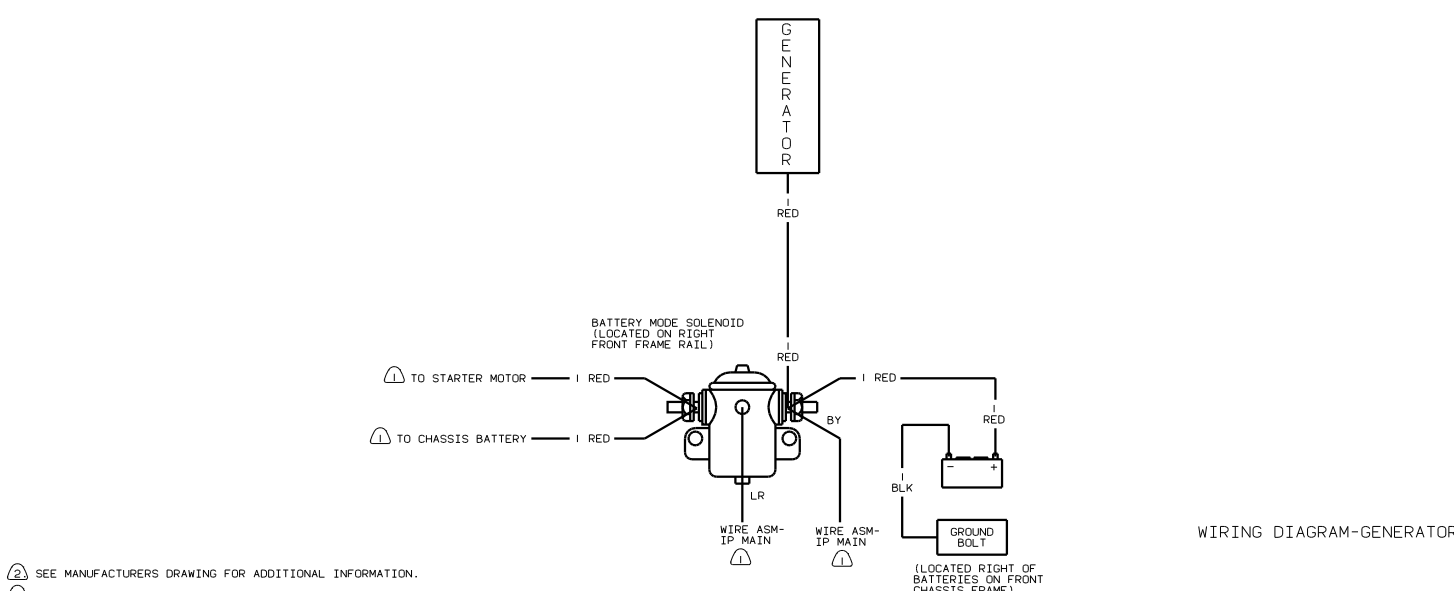


CAUTION

If you lack the skills, tools or equipment to perform diagnostic or repair work leave such work to an authorized Winnebago Industries dealer or other qualified shop.



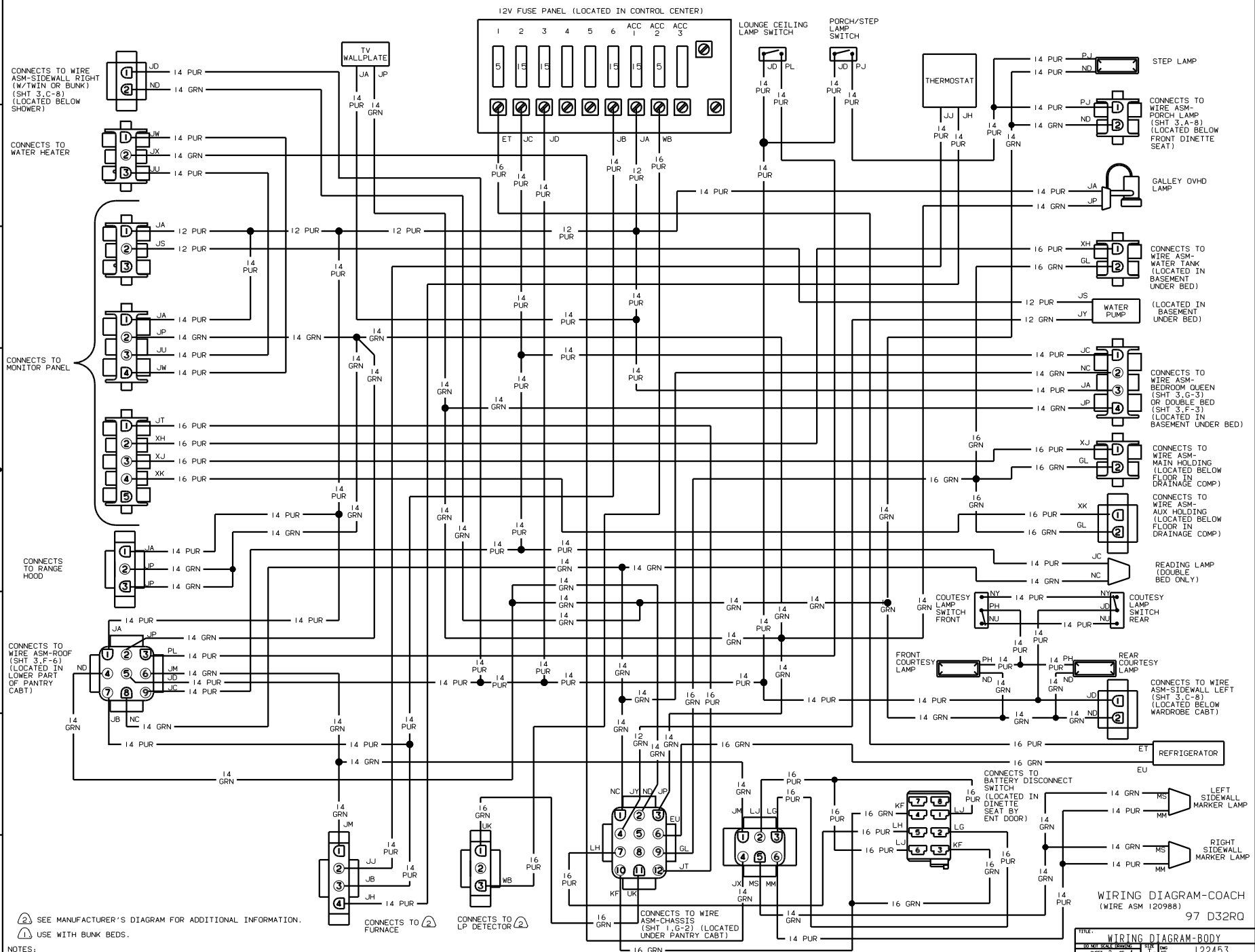
WIRING DIAGRAM-CHASSIS
 (WIRE ASM 120865)



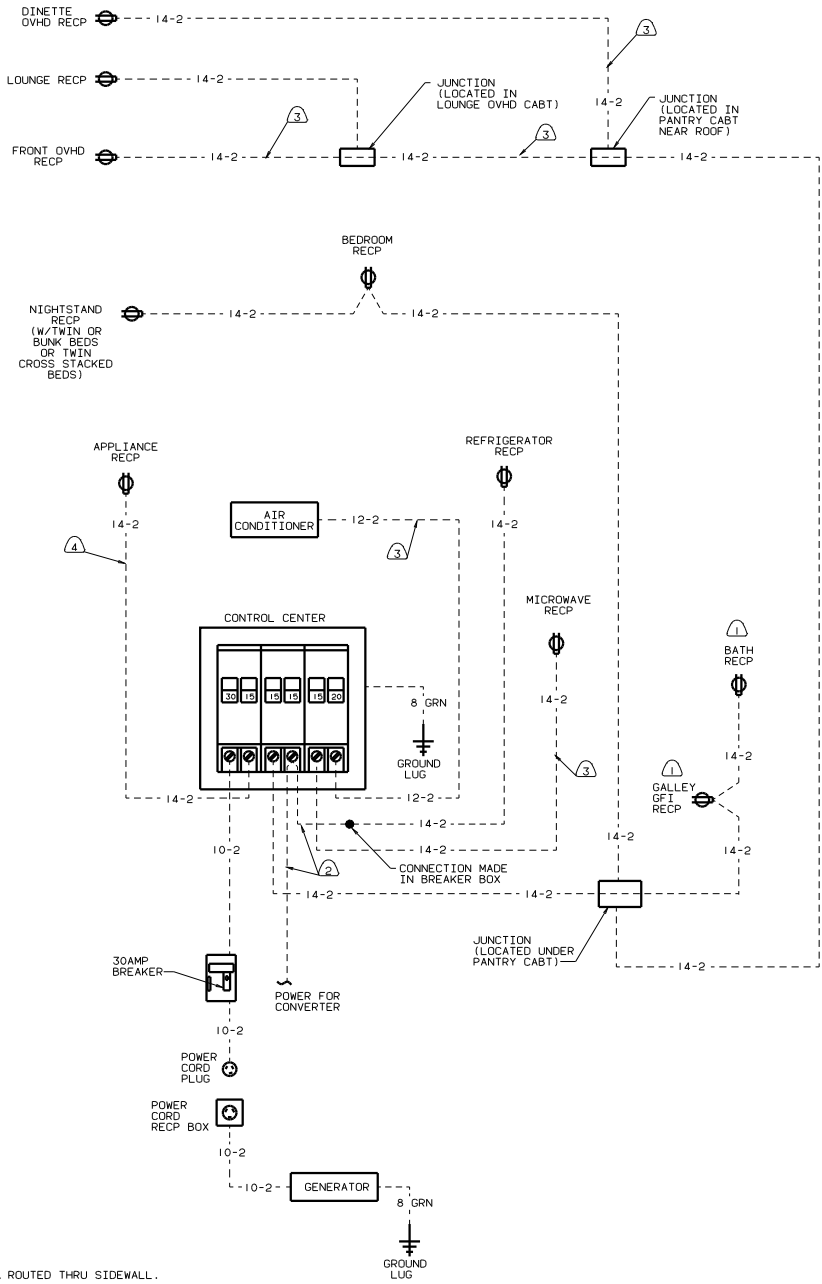
WIRING DIAGRAM-GENERATOR

② SEE MANUFACTURERS DRAWING FOR ADDITIONAL INFORMATION.
 ① SEE WIRING DIAGRAM-AUTO FOR ADDITIONAL INFORMATION.

WINNEBAGO		97 032R0
DATE	UNDESIGNED TOLERANCES ARE:	MATERIAL
DATE	WHOLE DIM IN	
DATE	ONE-PLACE IN .01	
DATE	TWO-PLACE IN .001	
DATE	THREE-PLACE IN .0005	
DATE	FOUR-PLACE IN .0002	
DATE	FIVE-PLACE IN .0001	
DATE	SIX-PLACE IN .00005	
DATE	SEVEN-PLACE IN .00002	
DATE	EIGHT-PLACE IN .00001	
DATE	NINE-PLACE IN .000005	
DATE	TEN-PLACE IN .000002	
DATE	ELEVEN-PLACE IN .000001	
DATE	TWELVE-PLACE IN .0000005	
DATE	THIRTEEN-PLACE IN .0000002	
DATE	FOURTEEN-PLACE IN .0000001	
DATE	FIFTEEN-PLACE IN .00000005	
DATE	SIXTEEN-PLACE IN .00000002	
DATE	SEVENTEEN-PLACE IN .00000001	
DATE	EIGHTEEN-PLACE IN .000000005	
DATE	NINETEEN-PLACE IN .000000002	
DATE	TWENTY-PLACE IN .000000001	
DATE	UNDESIGNED TOLERANCES ARE:	
DATE	WHOLE DIM IN	
DATE	ONE-PLACE IN .01	
DATE	TWO-PLACE IN .001	
DATE	THREE-PLACE IN .0005	
DATE	FOUR-PLACE IN .0002	
DATE	FIVE-PLACE IN .0001	
DATE	SIX-PLACE IN .00005	
DATE	SEVEN-PLACE IN .00002	
DATE	EIGHT-PLACE IN .00001	
DATE	NINE-PLACE IN .000005	
DATE	TEN-PLACE IN .000002	
DATE	ELEVEN-PLACE IN .000001	
DATE	TWELVE-PLACE IN .0000005	
DATE	THIRTEEN-PLACE IN .0000002	
DATE	FOURTEEN-PLACE IN .0000001	
DATE	FIFTEEN-PLACE IN .00000005	
DATE	SIXTEEN-PLACE IN .00000002	
DATE	SEVENTEEN-PLACE IN .00000001	
DATE	EIGHTEEN-PLACE IN .000000005	
DATE	NINETEEN-PLACE IN .000000002	
DATE	TWENTY-PLACE IN .000000001	
DATE	UNDESIGNED TOLERANCES ARE:	
DATE	WHOLE DIM IN	
DATE	ONE-PLACE IN .01	
DATE	TWO-PLACE IN .001	
DATE	THREE-PLACE IN .0005	
DATE	FOUR-PLACE IN .0002	
DATE	FIVE-PLACE IN .0001	
DATE	SIX-PLACE IN .00005	
DATE	SEVEN-PLACE IN .00002	
DATE	EIGHT-PLACE IN .00001	
DATE	NINE-PLACE IN .000005	
DATE	TEN-PLACE IN .000002	
DATE	ELEVEN-PLACE IN .000001	
DATE	TWELVE-PLACE IN .0000005	
DATE	THIRTEEN-PLACE IN .0000002	
DATE	FOURTEEN-PLACE IN .0000001	
DATE	FIFTEEN-PLACE IN .00000005	
DATE	SIXTEEN-PLACE IN .00000002	
DATE	SEVENTEEN-PLACE IN .00000001	
DATE	EIGHTEEN-PLACE IN .000000005	
DATE	NINETEEN-PLACE IN .000000002	
DATE	TWENTY-PLACE IN .000000001	
DATE	UNDESIGNED TOLERANCES ARE:	
DATE	WHOLE DIM IN	
DATE	ONE-PLACE IN .01	
DATE	TWO-PLACE IN .001	
DATE	THREE-PLACE IN .0005	
DATE	FOUR-PLACE IN .0002	
DATE	FIVE-PLACE IN .0001	
DATE	SIX-PLACE IN .00005	
DATE	SEVEN-PLACE IN .00002	
DATE	EIGHT-PLACE IN .00001	
DATE	NINE-PLACE IN .000005	
DATE	TEN-PLACE IN .000002	
DATE	ELEVEN-PLACE IN .000001	
DATE	TWELVE-PLACE IN .0000005	
DATE	THIRTEEN-PLACE IN .0000002	
DATE	FOURTEEN-PLACE IN .0000001	
DATE	FIFTEEN-PLACE IN .00000005	
DATE	SIXTEEN-PLACE IN .00000002	
DATE	SEVENTEEN-PLACE IN .00000001	
DATE	EIGHTEEN-PLACE IN .000000005	
DATE	NINETEEN-PLACE IN .000000002	
DATE	TWENTY-PLACE IN .000000001	
DATE	UNDESIGNED TOLERANCES ARE:	
DATE	WHOLE DIM IN	
DATE	ONE-PLACE IN .01	
DATE	TWO-PLACE IN .001	
DATE	THREE-PLACE IN .0005	
DATE	FOUR-PLACE IN .0002	
DATE	FIVE-PLACE IN .0001	
DATE	SIX-PLACE IN .00005	
DATE	SEVEN-PLACE IN .00002	
DATE	EIGHT-PLACE IN .00001	
DATE	NINE-PLACE IN .000005	
DATE	TEN-PLACE IN .000002	
DATE	ELEVEN-PLACE IN .000001	
DATE	TWELVE-PLACE IN .0000005	
DATE	THIRTEEN-PLACE IN .0000002	
DATE	FOURTEEN-PLACE IN .0000001	
DATE	FIFTEEN-PLACE IN .00000005	
DATE	SIXTEEN-PLACE IN .00000002	
DATE	SEVENTEEN-PLACE IN .00000001	
DATE	EIGHTEEN-PLACE IN .000000005	
DATE	NINETEEN-PLACE IN .000000002	
DATE	TWENTY-PLACE IN .000000001	
DATE	UNDESIGNED TOLERANCES ARE:	
DATE	WHOLE DIM IN	
DATE	ONE-PLACE IN .01	
DATE	TWO-PLACE IN .001	
DATE	THREE-PLACE IN .0005	
DATE	FOUR-PLACE IN .0002	
DATE	FIVE-PLACE IN .0001	
DATE	SIX-PLACE IN .00005	
DATE	SEVEN-PLACE IN .00002	
DATE	EIGHT-PLACE IN .00001	
DATE	NINE-PLACE IN .000005	
DATE	TEN-PLACE IN .000002	
DATE	ELEVEN-PLACE IN .000001	
DATE	TWELVE-PLACE IN .0000005	
DATE	THIRTEEN-PLACE IN .0000002	
DATE	FOURTEEN-PLACE IN .0000001	
DATE	FIFTEEN-PLACE IN .00000005	
DATE	SIXTEEN-PLACE IN .00000002	
DATE	SEVENTEEN-PLACE IN .00000001	
DATE	EIGHTEEN-PLACE IN .000000005	
DATE	NINETEEN-PLACE IN .000000002	
DATE	TWENTY-PLACE IN .000000001	
DATE	UNDESIGNED TOLERANCES ARE:	
DATE	WHOLE DIM IN	
DATE	ONE-PLACE IN .01	
DATE	TWO-PLACE IN .001	
DATE	THREE-PLACE IN .0005	
DATE	FOUR-PLACE IN .0002	
DATE	FIVE-PLACE IN .0001	
DATE	SIX-PLACE IN .00005	
DATE	SEVEN-PLACE IN .00002	
DATE	EIGHT-PLACE IN .00001	
DATE	NINE-PLACE IN .000005	
DATE	TEN-PLACE IN .000002	
DATE	ELEVEN-PLACE IN .000001	
DATE	TWELVE-PLACE IN .0000005	
DATE	THIRTEEN-PLACE IN .0000002	
DATE	FOURTEEN-PLACE IN .0000001	
DATE	FIFTEEN-PLACE IN .00000005	
DATE	SIXTEEN-PLACE IN .00000002	
DATE	SEVENTEEN-PLACE IN .00000001	
DATE	EIGHTEEN-PLACE IN .000000005	
DATE	NINETEEN-PLACE IN .000000002	
DATE	TWENTY-PLACE IN .000000001	
DATE	UNDESIGNED TOLERANCES ARE:	
DATE	WHOLE DIM IN	
DATE	ONE-PLACE IN .01	
DATE	TWO-PLACE IN .001	
DATE	THREE-PLACE IN .0005	
DATE	FOUR-PLACE IN .0002	
DATE	FIVE-PLACE IN .0001	
DATE	SIX-PLACE IN .00005	
DATE	SEVEN-PLACE IN .00002	
DATE	EIGHT-PLACE IN .00001	
DATE	NINE-PLACE IN .000005	
DATE	TEN-PLACE IN .000002	
DATE	ELEVEN-PLACE IN .000001	
DATE	TWELVE-PLACE IN .0000005	
DATE	THIRTEEN-PLACE IN .0000002	
DATE	FOURTEEN-PLACE IN .0000001	
DATE	FIFTEEN-PLACE IN .00000005	
DATE	SIXTEEN-PLACE IN .00000002	
DATE	SEVENTEEN-PLACE IN .00000001	
DATE	EIGHTEEN-PLACE IN .000000005	
DATE	NINETEEN-PLACE IN .000000002	
DATE	TWENTY-PLACE IN .000000001	



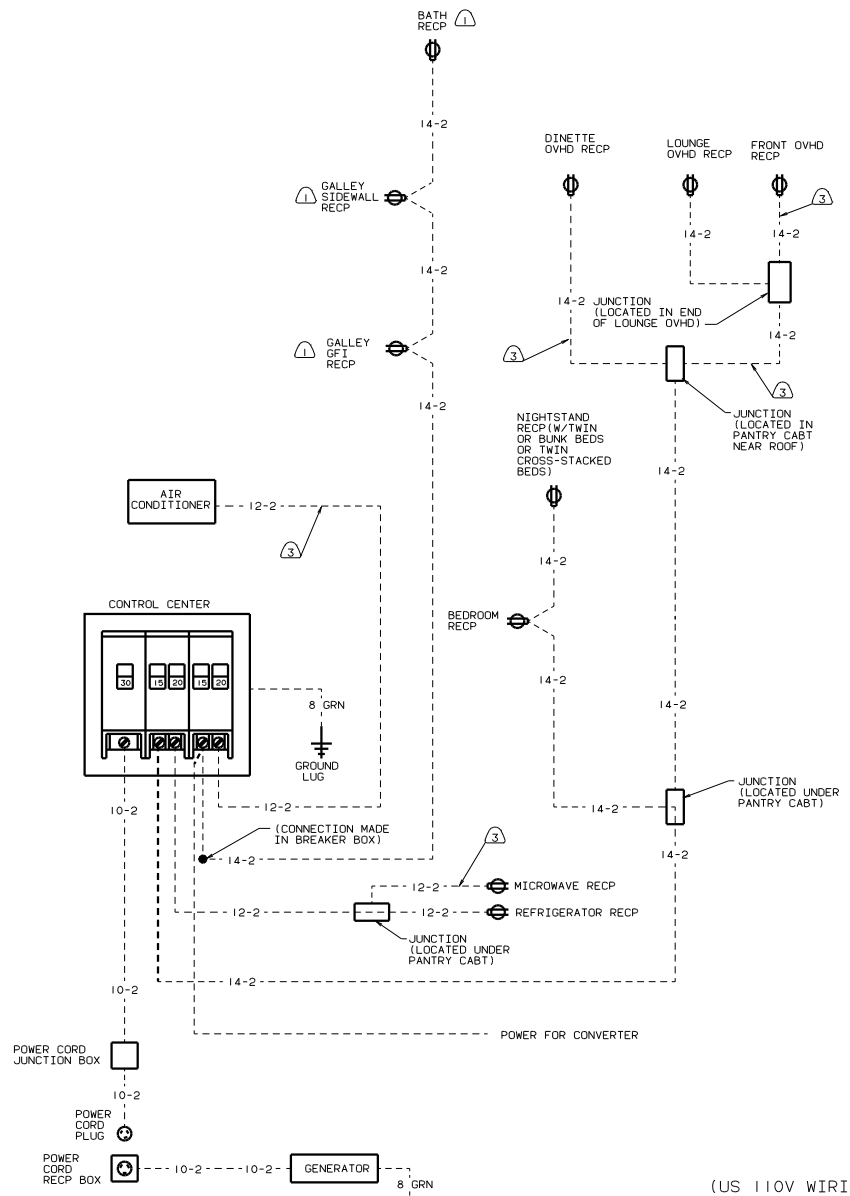
2 SEE MANUFACTURER'S DIAGRAM FOR ADDITIONAL INFORMATION.
 1 USE WITH BUNK BEDS.



(CAN 110V WIRING)

- ④ ROUTED THRU SIDEWALL.
- ③ ROUTED IN ROOF.
- ② LEAD SUPPLIED WITH CONVERTER.
- ① PROTECTED BY GFI RECP.

NOTES:



(US 110V WIRING)

TITLE		97 D32R0	
WIRING DIAGRAM-BODY			
NO. OF SHEETS	TOTAL SHEETS	DWG. NO.	REV. NO.
4	4	122453	