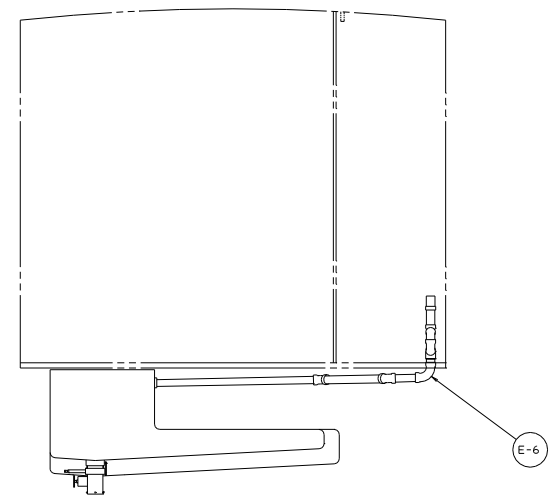
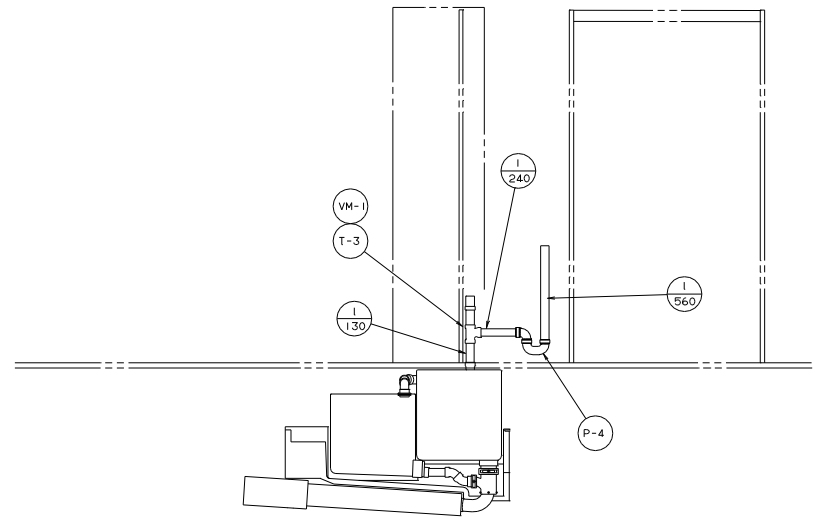


- NOTES:
- ⑬ USE WITH CSA.
 - ⑫ USE WITH US.
 - ⑪ USE WITH DISHWASHER.
 - 10 SECURE VENT TUBES TO FLOOR WITH BRACKET 95061-01-000(2), CLAMP 62401-02-000, PLATE COVER 94346-03-000, SCREW 667-10-12B(2), AND STAPLE 5403-03-000.
 - 9 VENT PIPE MUST PROJECT 51 MM MIN AND 63.5 MM MAX ABOVE ROOF FOR PROPER FIT AND FUNCTION.
 8. SEE DWG 61607-01-000 FOR INSTL OF GROMMETS.
 7. SEAL ALL AROUND SHOWER WITH SILICONE.
 6. FOR CAN UNITS EACH HOLDING TANK SHALL HAVE A CSA APPROVAL STAMPED NEAR THE IAMPO APPROVAL.
 5. EXPOSED PIPE ABOVE ROOF TO BE PAINTED 37163-01-000.
 4. ALL EXTERIOR OPENINGS AROUND PIPE TO BE SEALED WITH 69637-01-000.
 3. ALL PIPE AND FITTINGS TO BE ASSEMBLED WITH SOLVENT 4020-01-000.
 2. SLOPE OF TRAP ARM MUST BE 6 PER 305.
 1. SLOPE OF HORIZONTAL PIPING TO BE 6 PER 305 MIN.

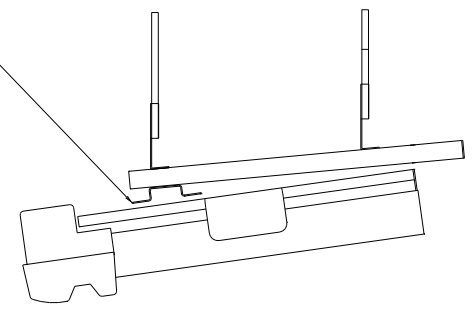
FOR DRAINAGE CALLOUTS SEE DWG NO. 116229-01-000

WINNERAGO		96 Q37WQ
Q37WQ	TITLE: DRAINAGE SYSTEM INSTL	120928
REV. NO.:	SCALE:	SHEET 1 OF 2
DATE:	NO.:	REF: 117658 C I
ALL DIMENSIONS ARE IN MILLIMETERS	UNLESS OTHERWISE SPECIFIED	TOLERANCES ARE:
Ø FTR	Ø UNF	Ø UNF
Ø	Ø	Ø
Ø	Ø	Ø
Ø	Ø	Ø
Ø	Ø	Ø



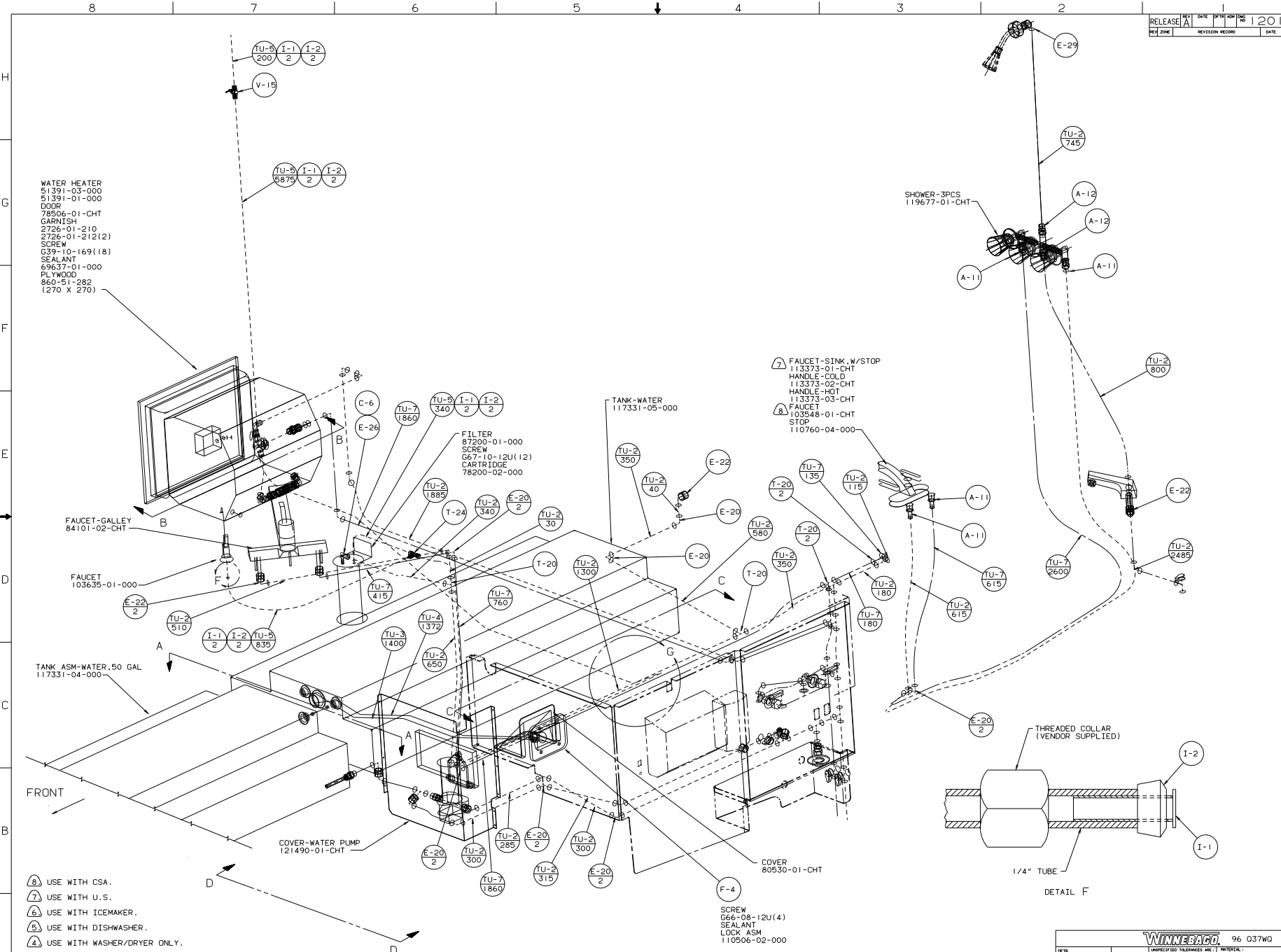
USE WITH WASHER/DRYER

FASTEN TELESCOPING DRAIN WITH CLAMP AND SUPPLIED HARDWARE TO SUPPORT ASM UNDER SEWER COMPT



WASHER/DRYER
96 Q37W0

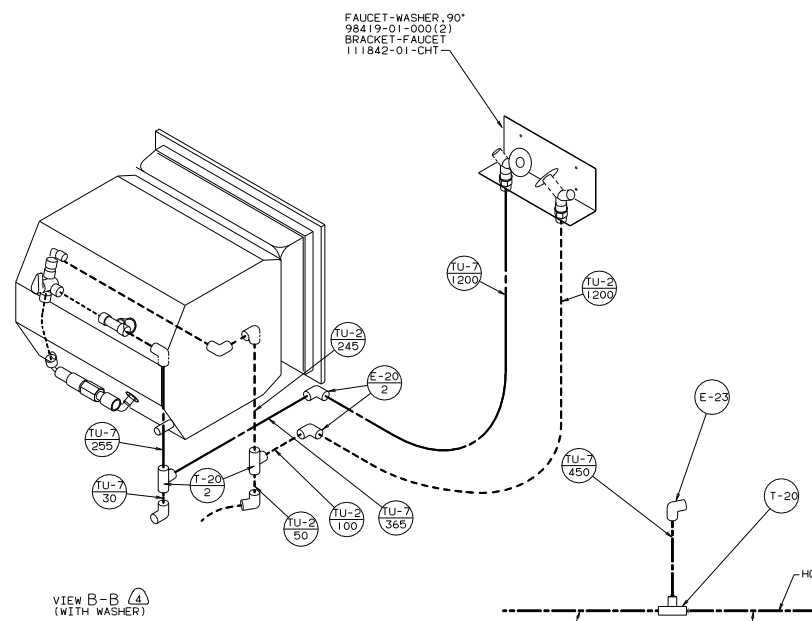
TITLE: DRAINAGE SYSTEM INSIL		DWG NO: 120928	
30 NET SCALE DRAWING	FILE	1	1
SHEET 2 OF 2	DATE		



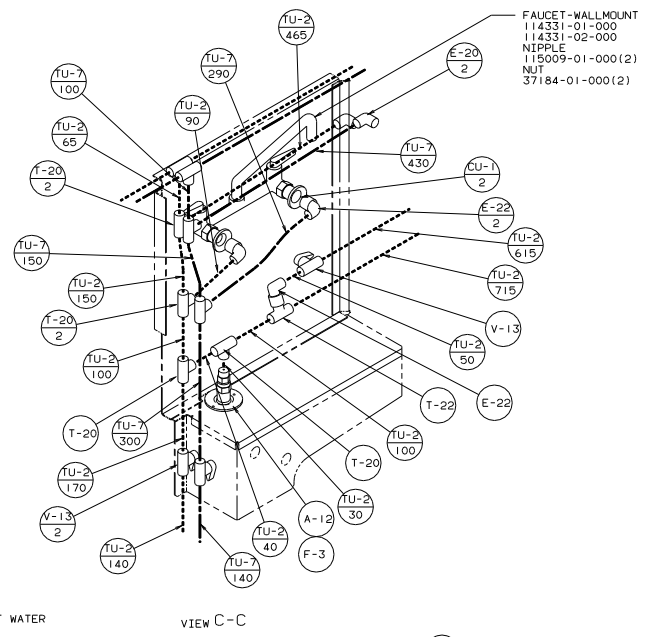
WINNEBAGO 96 037W0

DATE	REVISED	BY	DATE	DESCRIPTION
037W06				

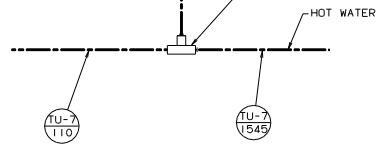
SCALE: NONE
 SHEET 1 OF 4
 120144



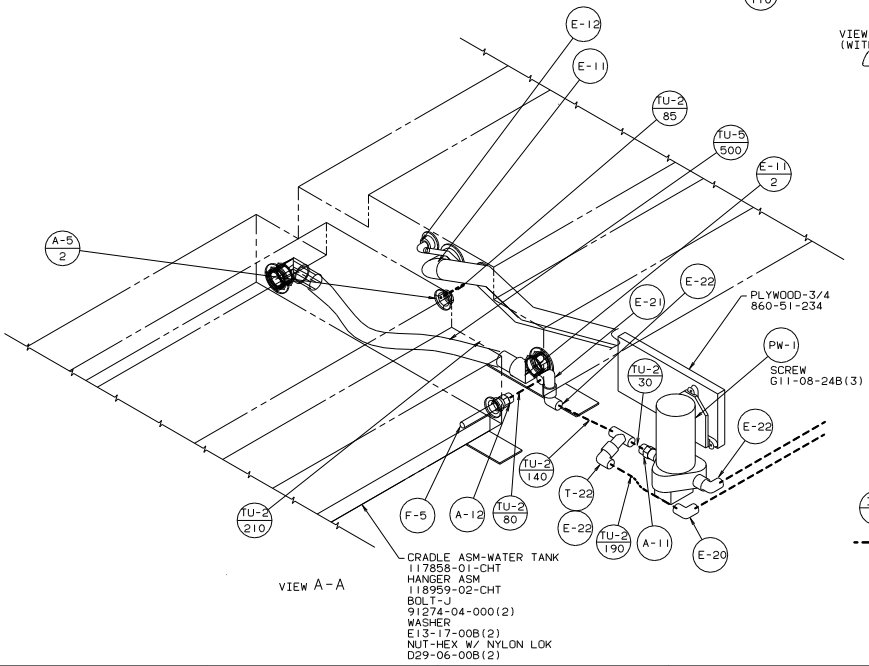
VIEW B-B (4)
(WITH WASHER)



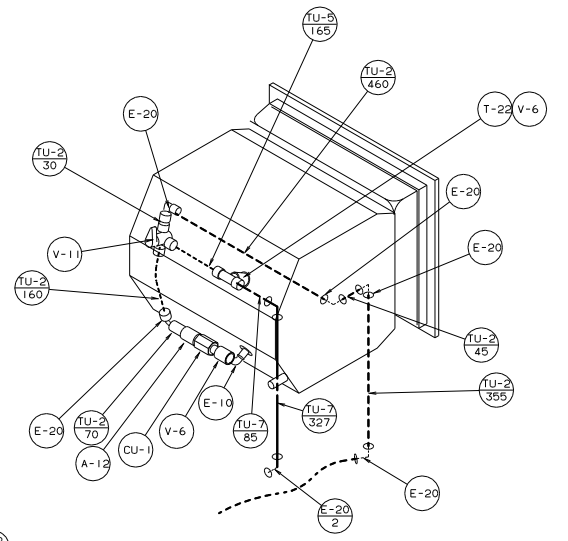
VIEW C-C



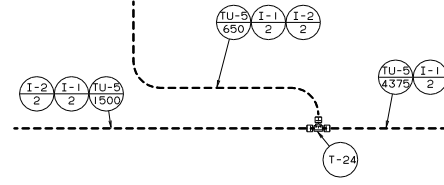
VIEW C-C (WITH DISHWASHER)



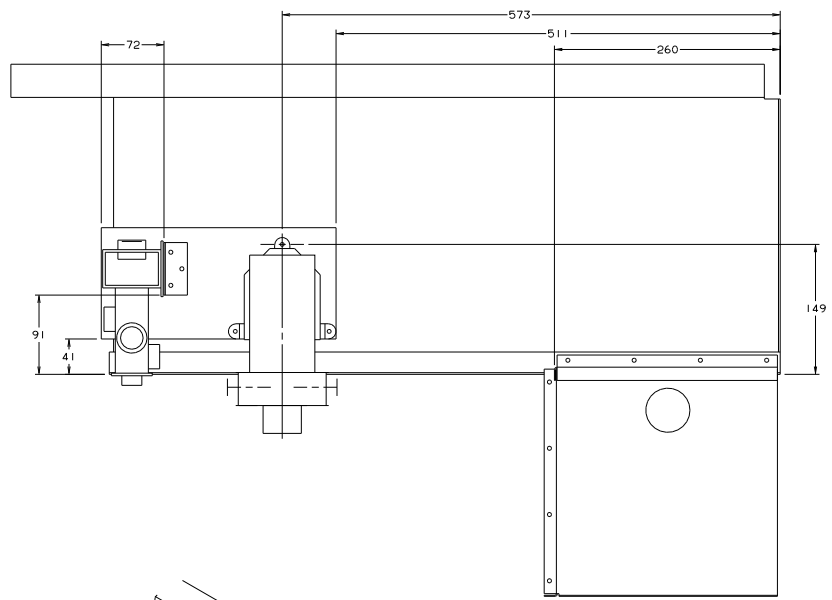
VIEW A-A



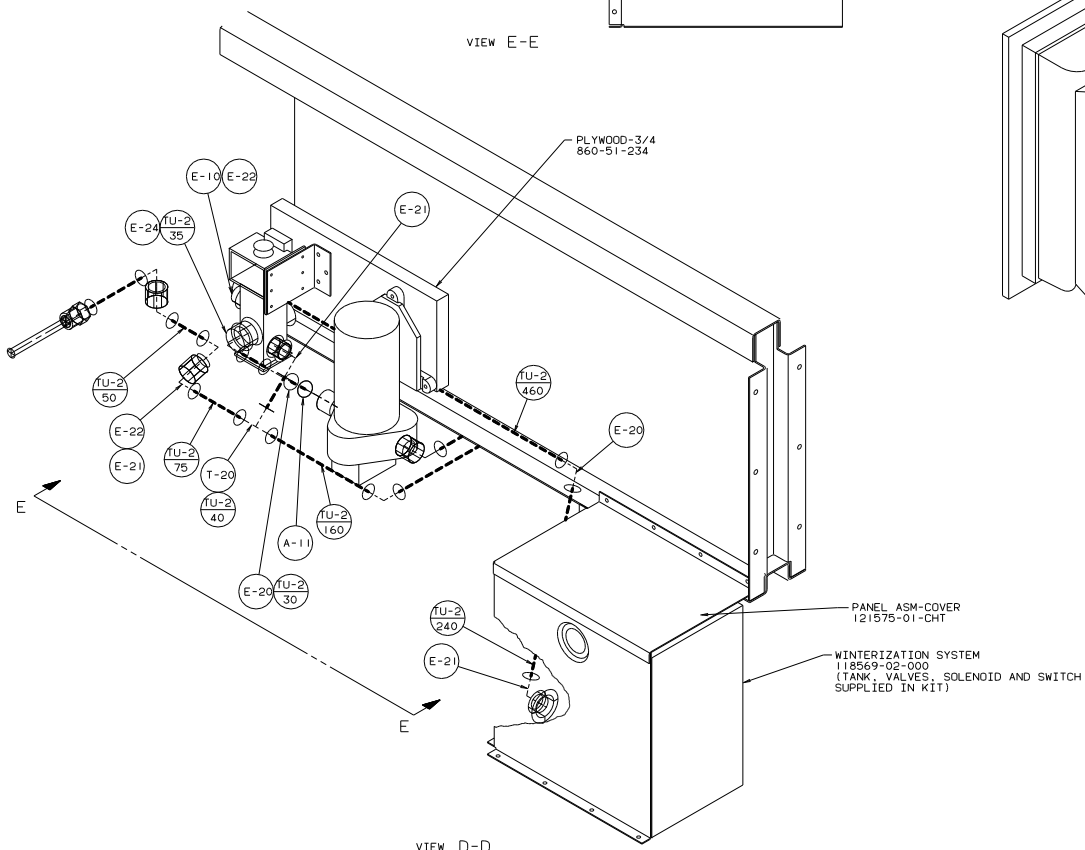
VIEW B-B (WITHOUT WASHER)



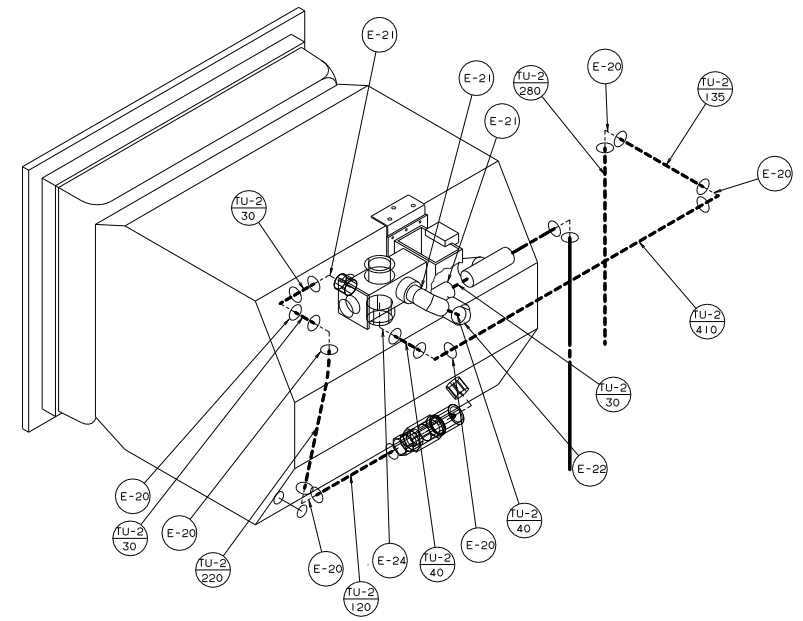
DETAIL G (6)
(WITH ICE MAKER)



VIEW E-E



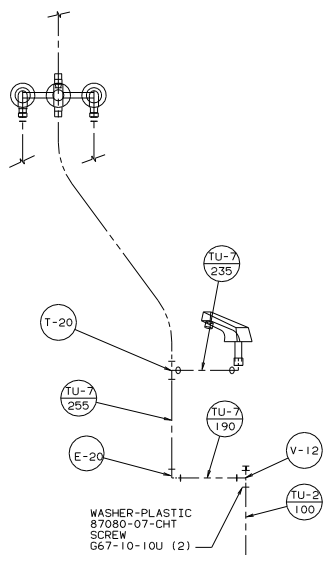
VIEW D-D



VIEW B-B

96 Q37W0
 WINTERIZATION SYSTEM

TITLE: WINTERIZATION SYSTEM INSTL	
30 NET SCALE DRAWING	REV 1
SHEET 3 OF 3	DATE 120144



VIEW F-F

TITLE		WATER SYSTEM INSTL	
NO	DATE	BY	CHK
SHEET 4	OF 4	120144	