

DETAIL B

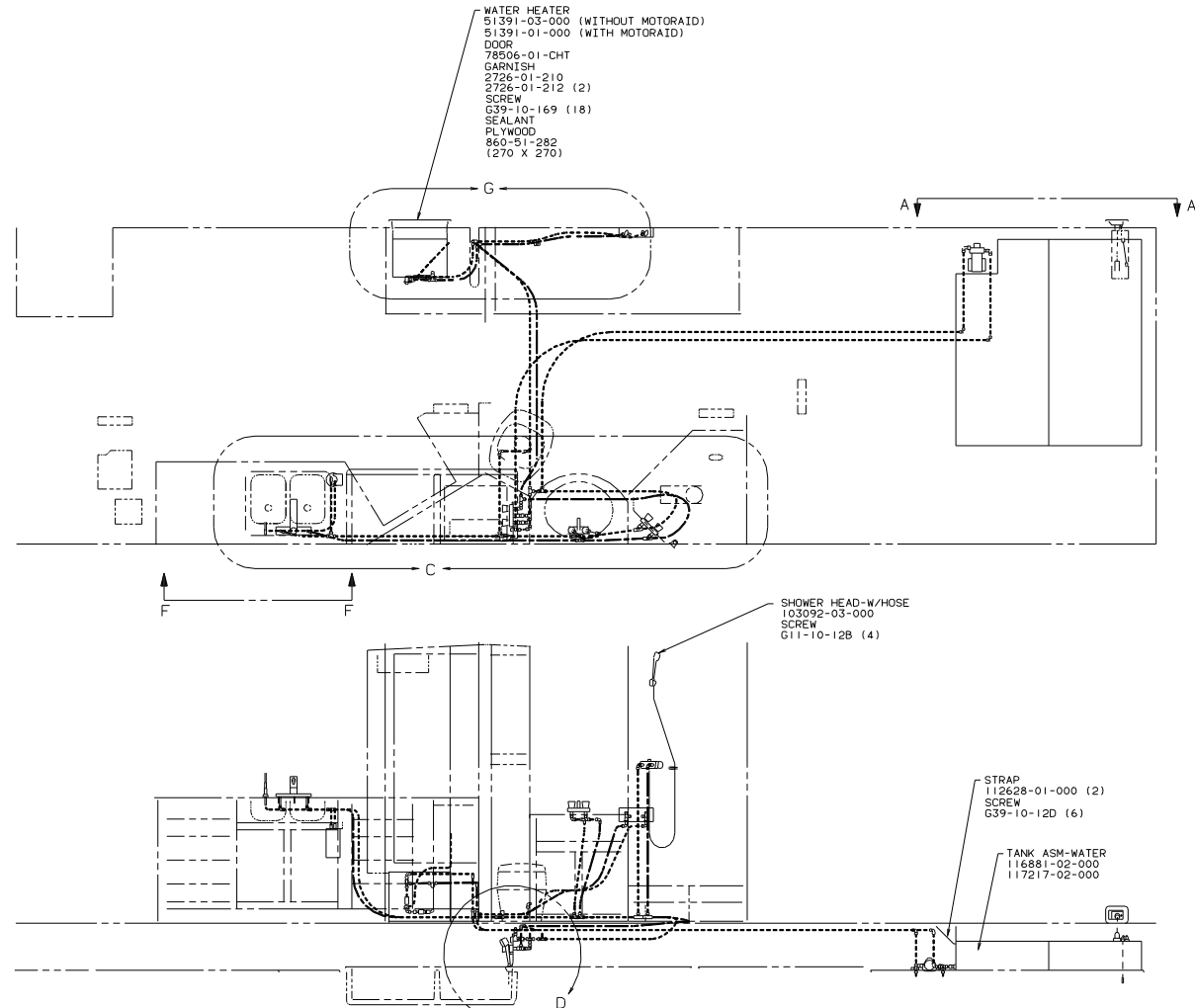
WITH WASHER/DRYER

94 M37RW

TITLE: DRAINAGE SYSTEM INSIT

30-NEE SCALE DRAWING FILE NO

SHEET 2 OF 2 111556



- 15 CLAMP MUST BE ON BARBS.
- 14 USE WITHOUT WASHER-DRYER.
- 13 USE WITH WASHER-DRYER.
- 12 USE WITHOUT REFRIGERATOR ICEMAKER.
- 11 USE WITH MOTORAID.
- 10 USE WITHOUT MOTORAID.
- 9 NOT USED WITH ICEMAKER APPLIANCE.
- 8 NOT USED WITH DISHWASHER.
- 7 SPLICE INTO COLD WATER LINE.
- 6 USE WITH REFRIGERATOR ICEMAKER.
- 5 USE WITH DISHWASHER.
- 4 USE WITH ICEMAKER APPLIANCE.

3. ALL TUBING TO BE SECURED AT 1200 INTERVALS MAX WITH CLAMP 10495-01-000 OR CLIP 91951-01-000 AND SCREW G67-10-12B.
2. TUBING TO BE INSTALLED WITH SUFFICIENT SLOPE TO PROVIDE DRAINAGE TO NEAREST VALVE.
1. PLASTIC FITTINGS TO BE SEALED WITH SEALANT 84456-01-000.

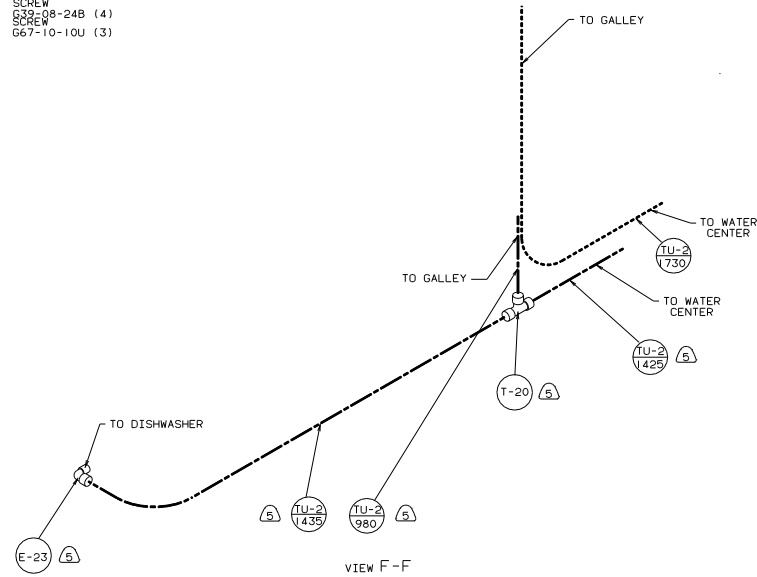
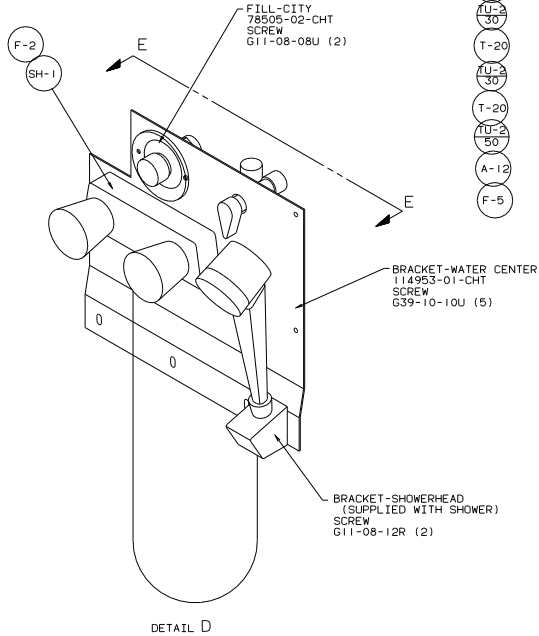
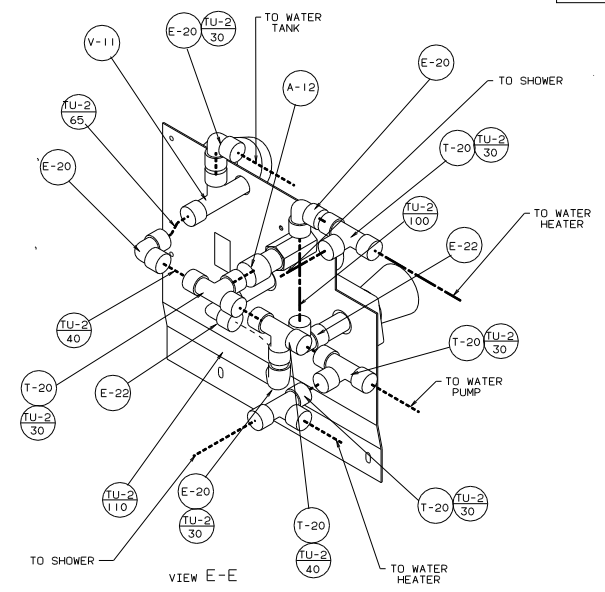
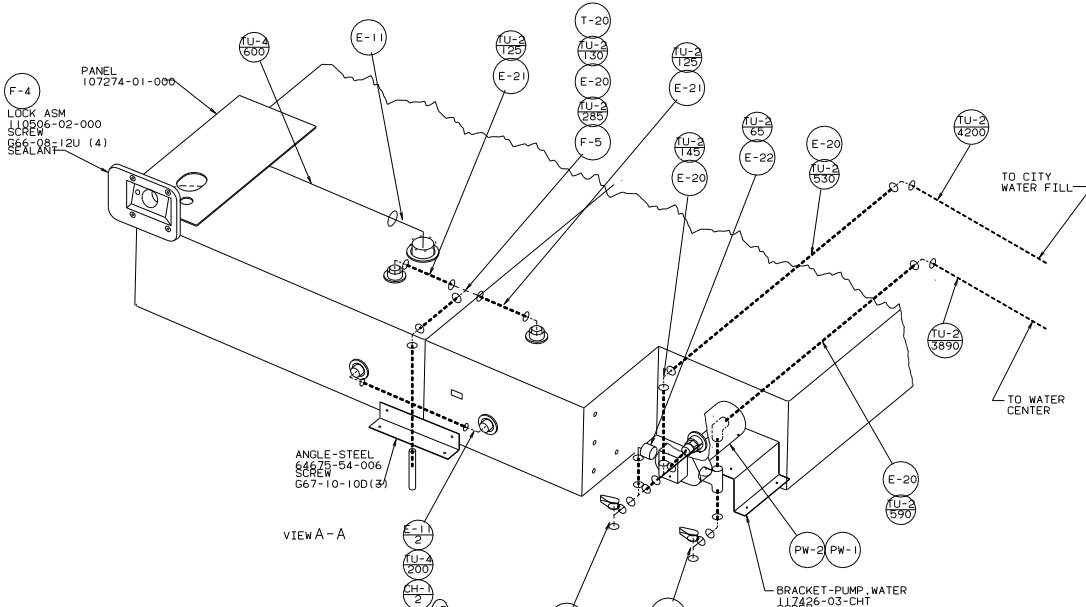
X-X FOR WATER CALLOUTS SEE DWG NO. 116230-01-000

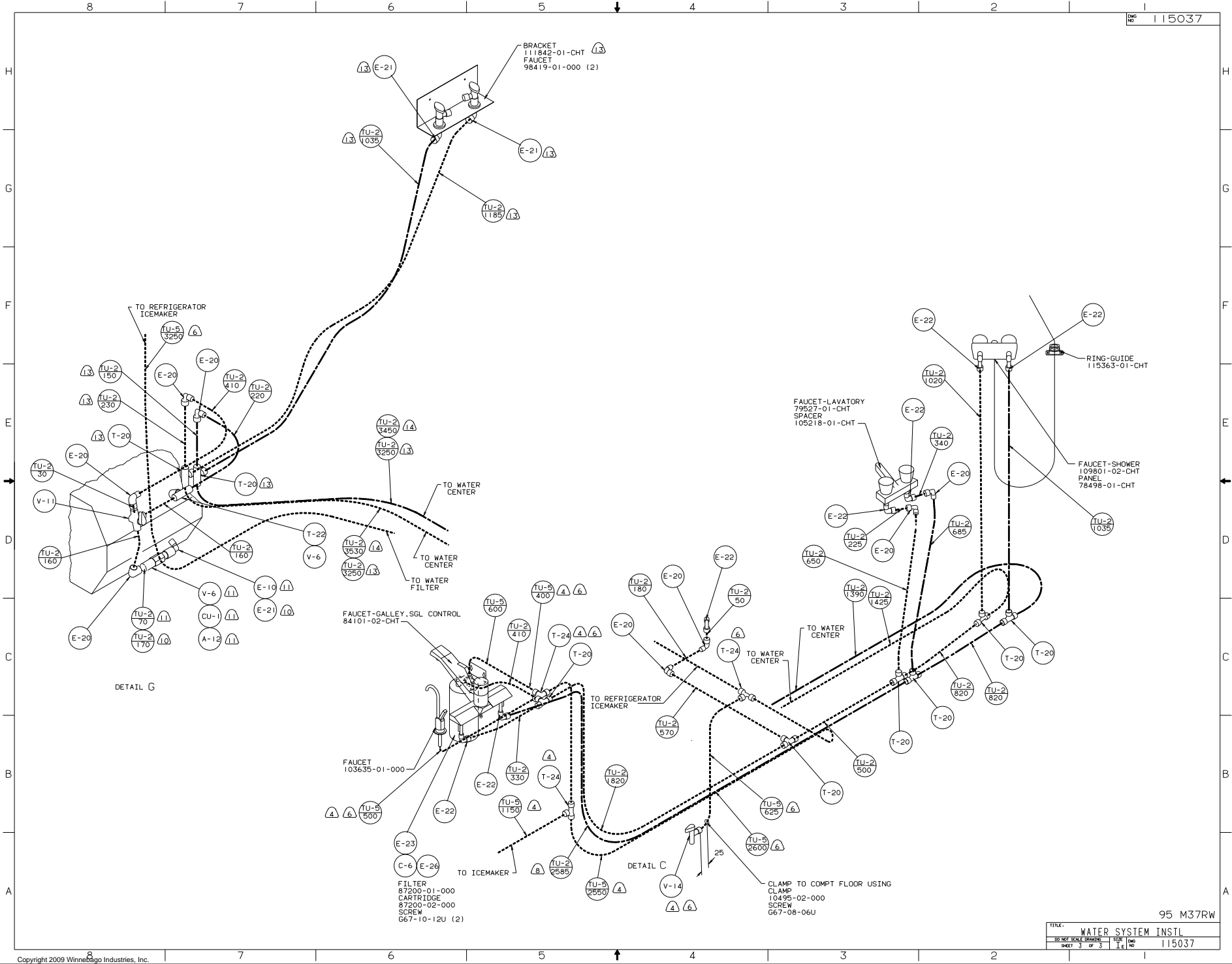
LEGEND	
HOT	—————
COLD	-----

**WINNEAGO** 95 M37RW

DATE	UNSPECIFIED TOLERANCES ARE:	MATERIAL
CHRP	WHOLE DIM 1/8"	
F/F	ONE-PLACE 1/8"	
F/E	TWO-PLACE 1/8"	
F/C	ANGLE	
CDR	THIRD ANGLE PROJECTION	

LANE# M37RW5 TITLE: WATER SYSTEM INSTL  
 DIA # SCALE: NONE 3D NET SCALE DRAWING SHEET 1 OF 3  
 ALL DIMENSIONS ARE IN MILLIMETERS REF: 111623 115037





BRACKET  
111842-01-CHT  
FAUCET  
98419-01-000 (2)

E-21

TU-2  
1035

E-21

TU-2  
1185

TO REFRIGERATOR  
ICEMAKER

TU-5  
3250

E-20

TU-2  
410

TU-2  
220

TU-2  
150

TU-2  
230

T-20

TU-2  
30

V-11

TU-2  
160

TU-2  
160

V-6

TU-2  
70

TU-2  
170

V-6

CU-1

A-12

E-10

E-21

T-22

TU-2  
3530

TU-2  
3250

V-6

TO WATER  
CENTER

TO WATER  
CENTER

TO WATER  
FILTER

FAUCET-GALLEY, SGL CONTROL  
84101-02-CHT

FAUCET  
103635-01-000

TU-5  
1500

E-23

C-6

E-26

TO ICEMAKER

FILTER  
87200-01-000  
CARTRIDGE  
87200-02-000  
SCREW  
G67-10-12U (2)

TU-5  
400

TU-2  
410

T-24

T-20

E-20

TU-2  
180

E-20

E-22

TU-2  
50

T-24

T-20

E-20

TU-2  
570

TU-2  
1820

TU-5  
330

TU-5  
1150

TU-2  
2585

TU-5  
2550

V-14

FAUCET-LAVATORY  
79527-01-CHT  
SPACER  
105218-01-CHT

E-22

TU-2  
225

E-20

TU-2  
650

TU-2  
1390

TU-2  
1425

TO WATER  
CENTER

T-20

T-20

T-20

TU-2  
500

TU-5  
625

TU-5  
2600

CLAMP TO COMPT FLOOR USING  
CLAMP  
10495-02-000  
SCREW  
G67-08-06U

E-22

TU-2  
1020

E-22

TU-2  
340

E-20

TU-2  
225

E-20

TU-2  
685

TU-2  
820

TU-2  
820

T-20

T-20

T-20

TU-2  
500

TU-5  
625

TU-5  
2600

V-14

E-22

RING-GUIDE  
115363-01-CHT

FAUCET-SHOWER  
109801-02-CHT  
PANEL  
78498-01-CHT

TU-2  
1035

DETAIL G

DETAIL C