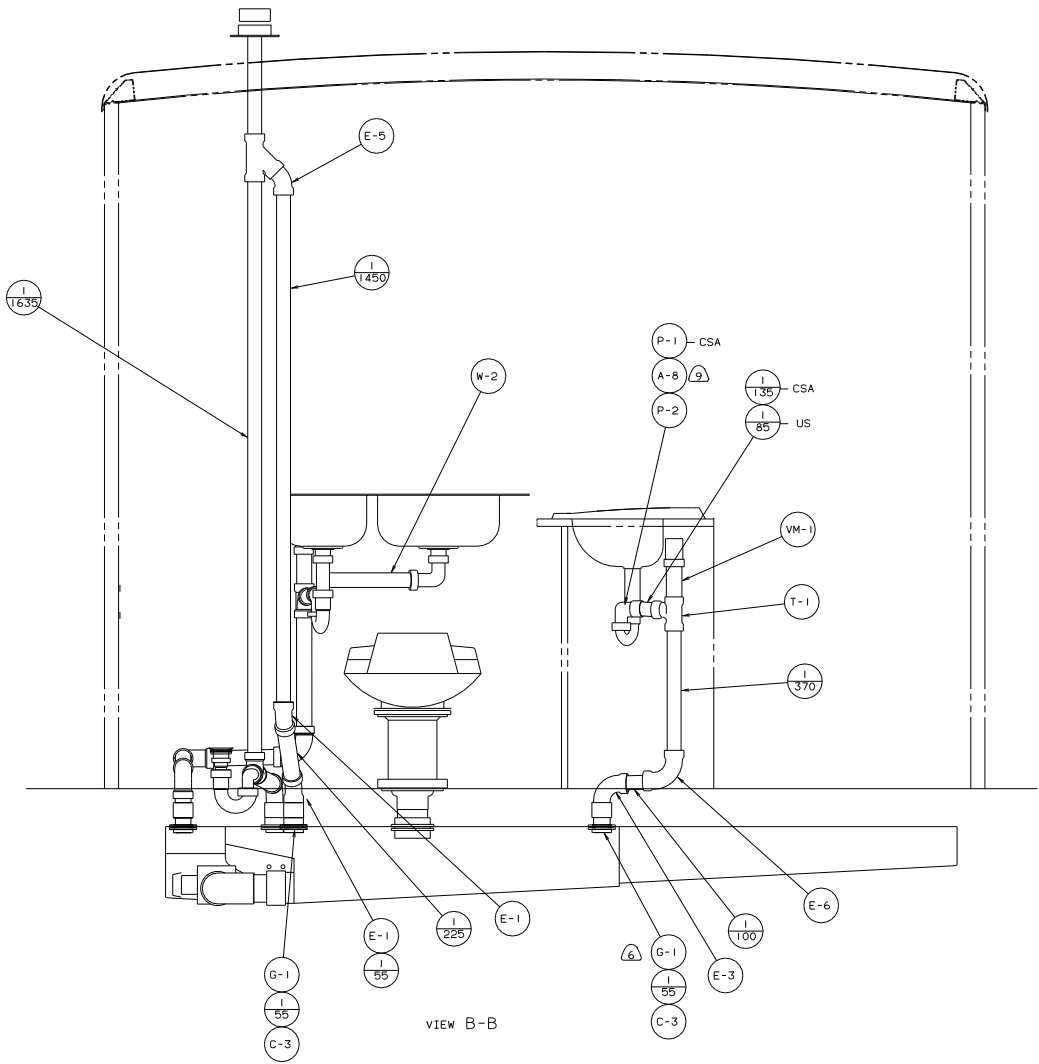


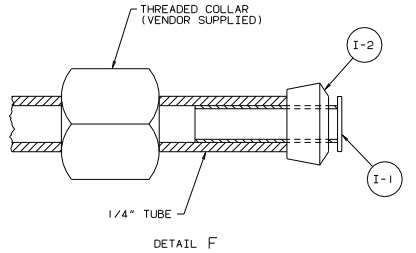
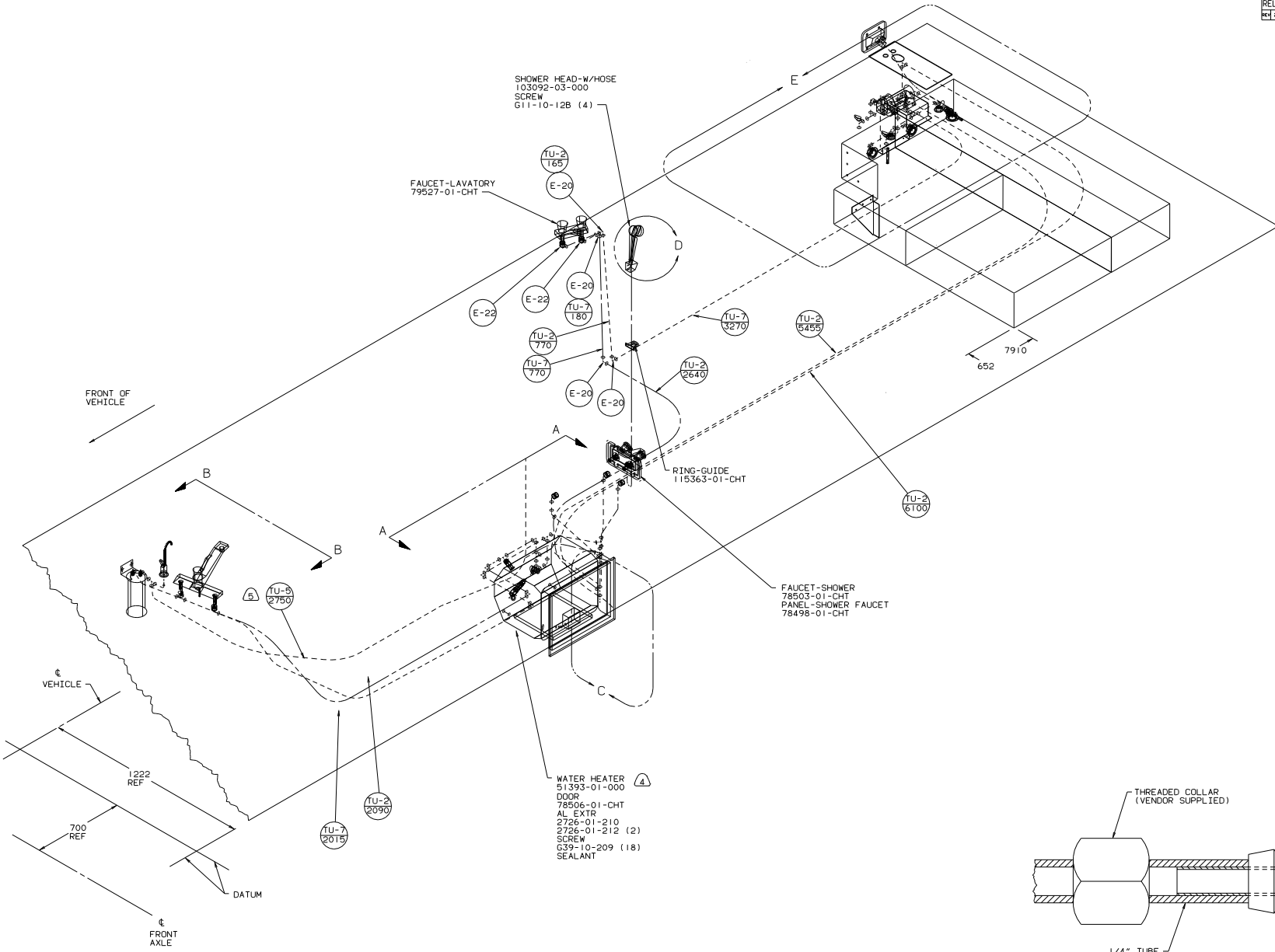
- 9. NOT USED ON CANADIAN UNITS.
- 8. APPLY SEAL 98408-01-000 TO BACK OF TUBES TO PREVENT SHORTING OUT OF SENSOR.
- 7. VENT PIPE MUST BE PROJECTED 51 TO 64 MAXIMUM ABOVE ROOF FOR PROPER FIT AND FUNCTION.
- 6. SEE DRAWING 61607-01-000 FOR INSTALLATION OF GROMMET.
- 5. SEAL ALL AROUND SHOWER WITH SILICONE 78474-01-CHT.
- 4. FOR CANADIAN UNITS EACH HOLDING TANK SHALL HAVE A CSA APPROVAL STAMPED NEAR IAPMO APPROVAL.
- 3. ALL PIPE AND FITTINGS TO BE ASSEMBLED WITH SOLVENT 4020-01-000.
- 2. SLOPE OF TRAP MUST BE 6 PER 300 MINIMUM.
- 1. SLOPE OF HORIZONTAL PIPING TO BE 6 PER 300 MINIMUM.

FOR DRAINAGE CALL-OUTS SEE DWG NO. 116229-01-000

		96 M36WA
DATE	UNSPECIFIED TOLERANCES ARE:	MATERIAL
CHG#	WHOLE DIM (IN)	
REV	ONE-PLACE (IN, IN)	
BY	TWO-PLACE (IN, IN)	
CHK	ANGLE	
APP	THIRD ANGLE PROJECTION	
DRW NO	M36WA	
TITLE: DRAINAGE SYSTEM INSTL		118884
SCALE: NONE	SHEET 1 OF 2	DATE: 11/7803 C I



VIEW B-B

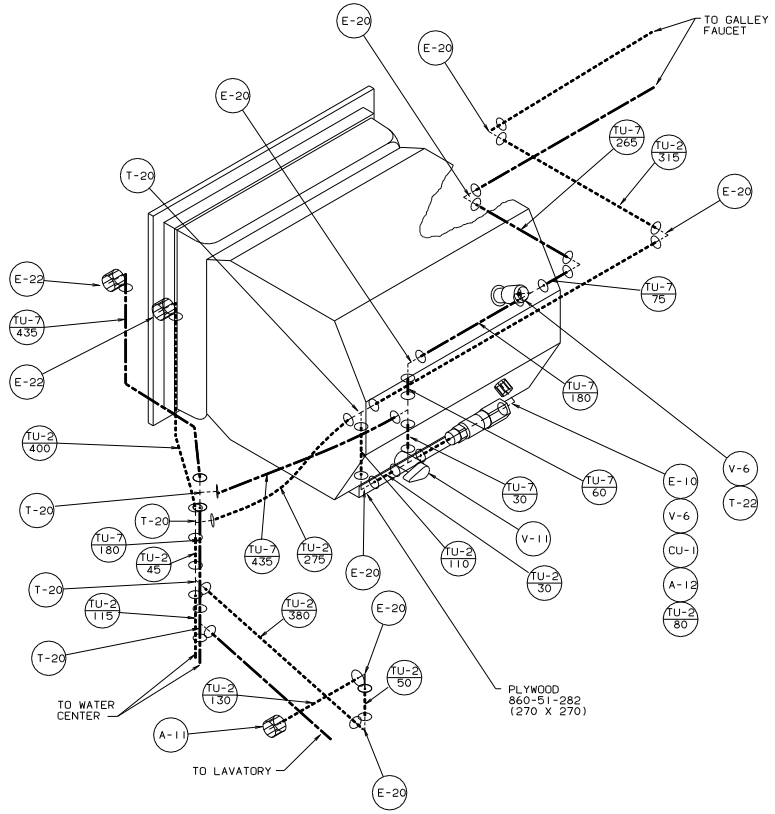
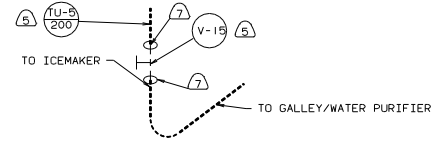


- NOTES:
1. PLASTIC FITTINGS TO BE SEALED WITH SEALANT 84456-01-000.
 2. TUBING TO BE INSTALLED WITH SUFFICIENT SLOPE TO PROVIDE DRAINAGE TO NEAREST VALVE.
 3. ALL TUBING TO BE SECURED AT 1200 INTERVALS MAXIMUM WITH CLAMP 10495-01-000 OR CLIP 91951-01-000 AND SCREW G67-10-12B.
 4. CLAMPS MUST BE ON BARBS.
 5. USE WITH REFRIGERATOR WITH ICEMAKER.
 6. USE WITH REFRIGERATOR WITHOUT ICEMAKER.
 7. USE DETAIL "G" IN THIS AREA.

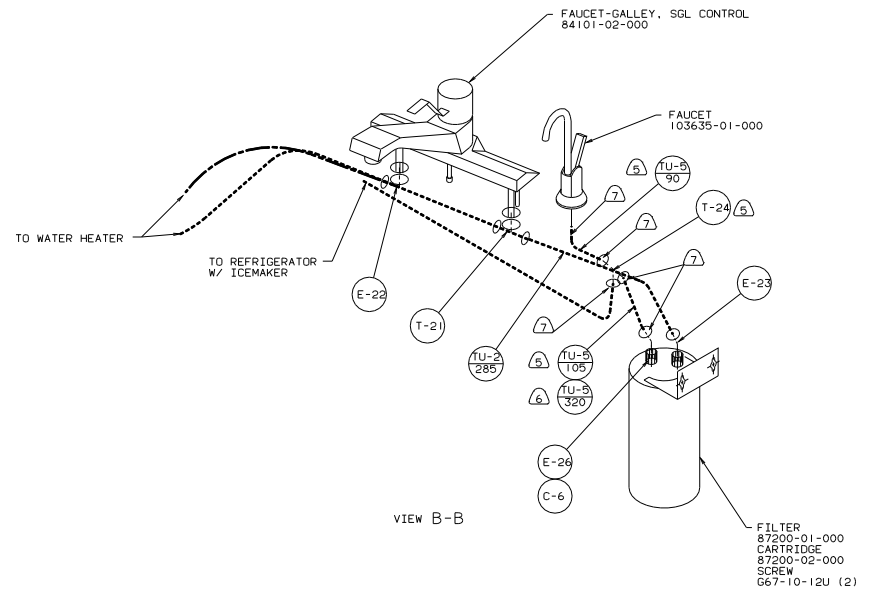
FOR WATER CALLOUTS SEE DWG NO. 116230-01-000

LEGEND	
HOT	— — — — —
COLD	— — — — —

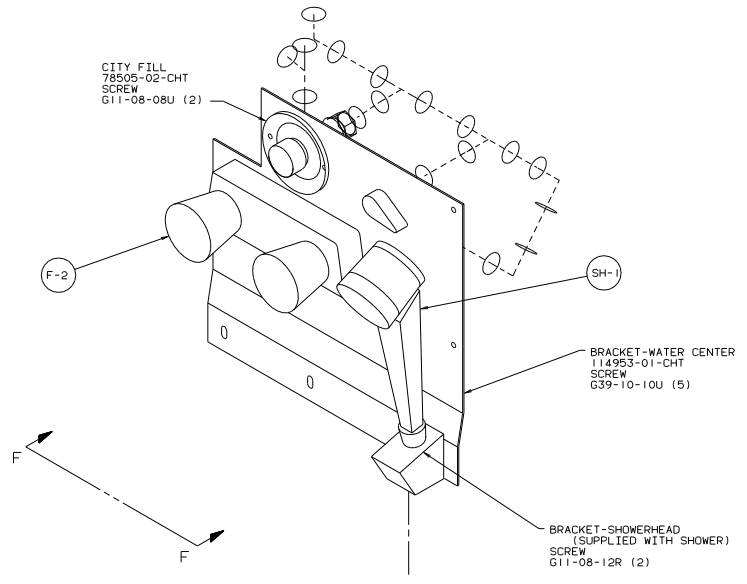
WINNEBAGO		96 M36WA
DATE	ISSUED	PROPOSED TOLERANCES ARE:
P.E.		FRAMES 1/16"
		PIPE 1/32"
		WELDS 1/32"
		OTHER AS SHOWN
LAYER M36WA		TITLE WATER SYSTEM INSTL
DATE	SCALE	NO. 118888
ALL DIMENSIONS ARE IN MILLIMETERS		SHEET 1 OF 4



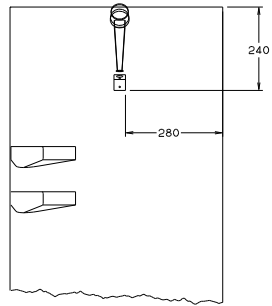
VIEW A-A



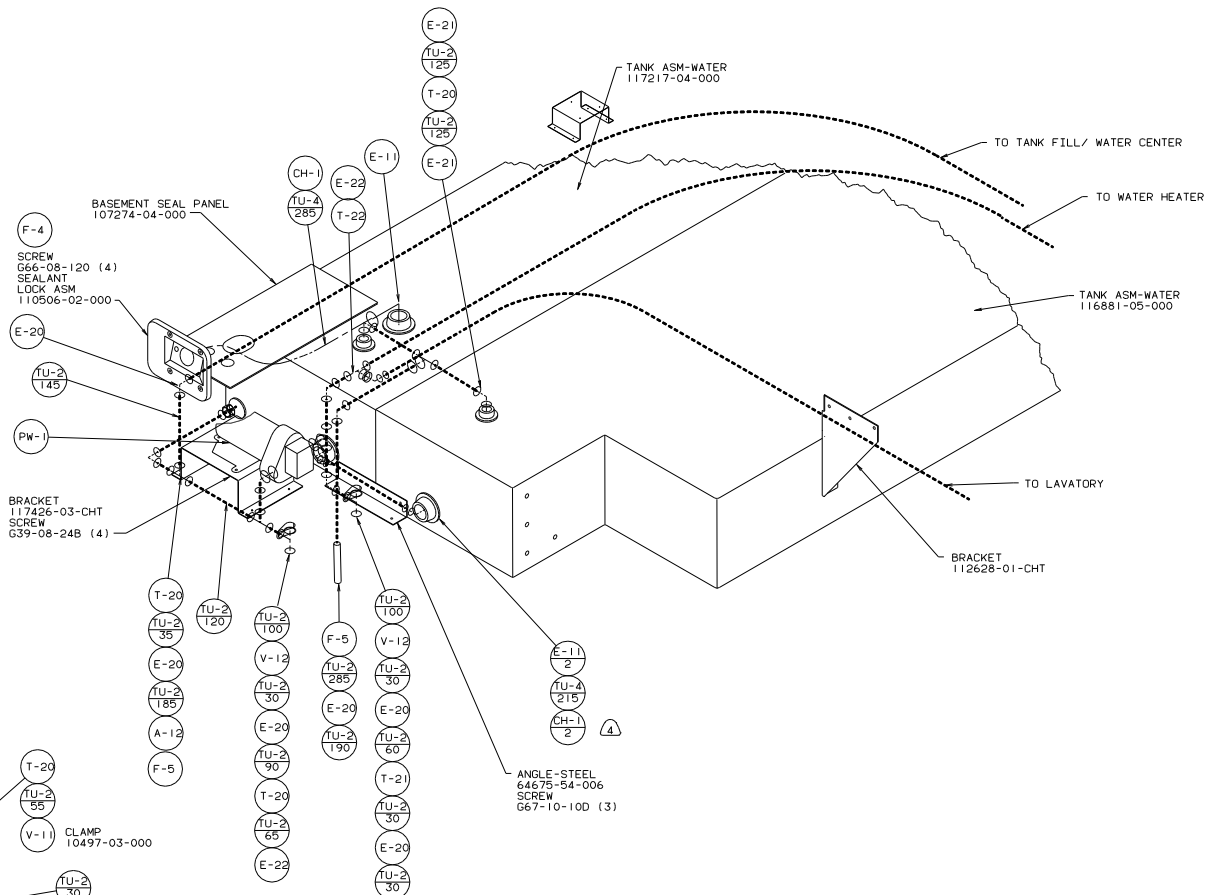
VIEW B-B



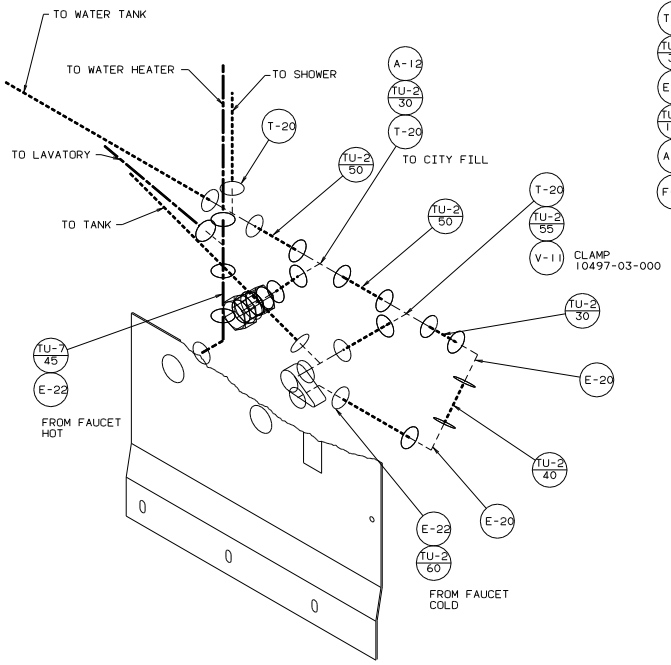
DETAIL C



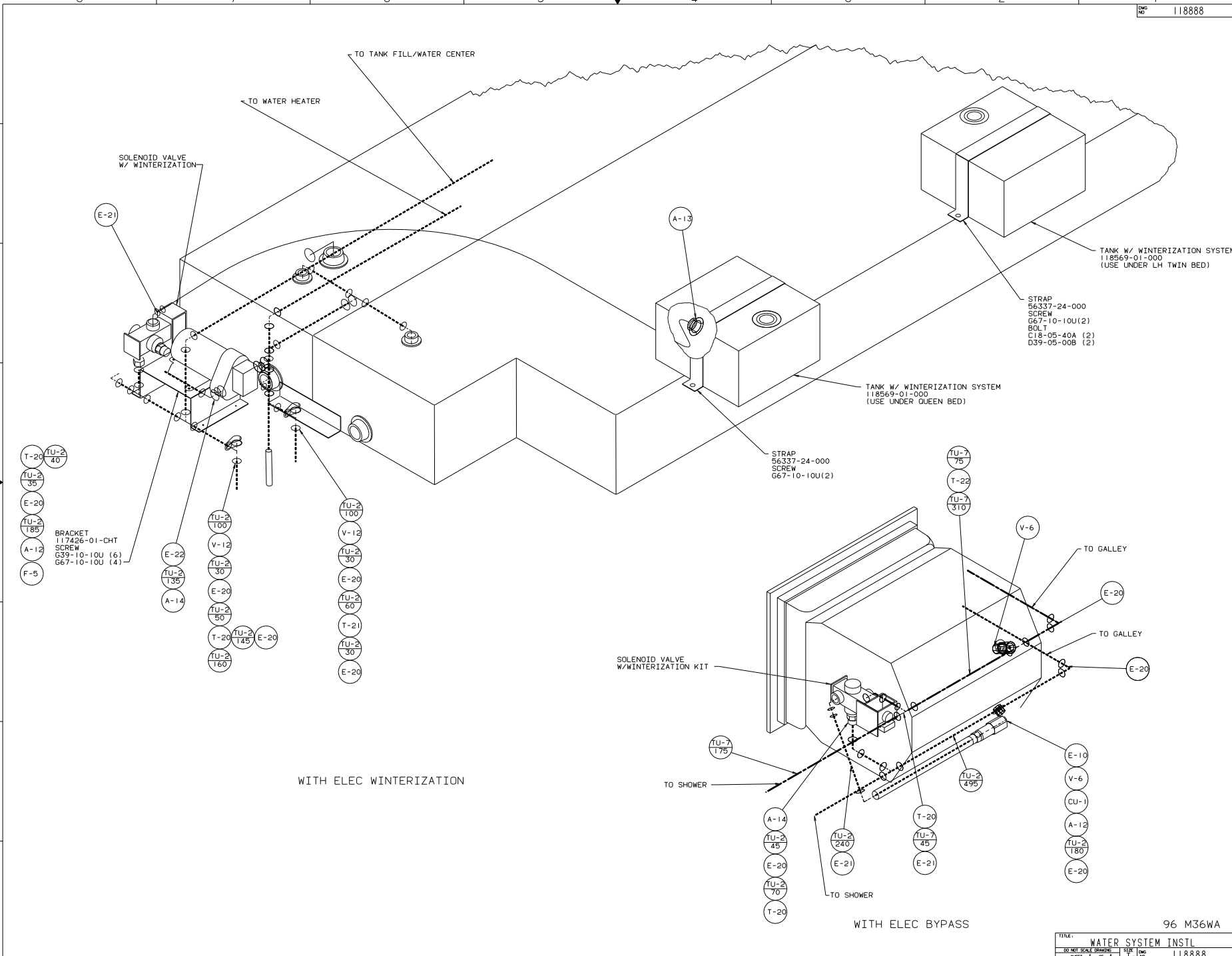
DETAIL D



DETAIL E



VIEW F-F



96 M36WA

TITLE: WATER SYSTEM INSTL	
30 NET SCALE DRAWING	REV 1
SHEET 4 OF 4	DATE