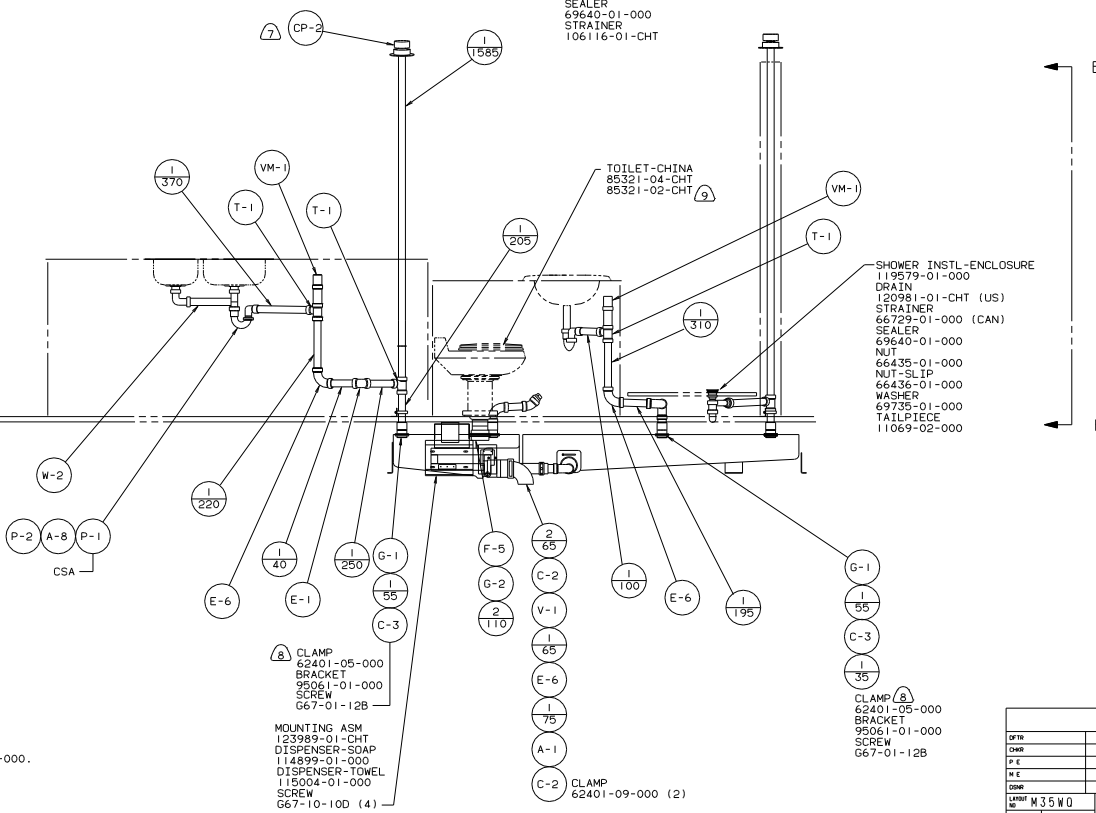
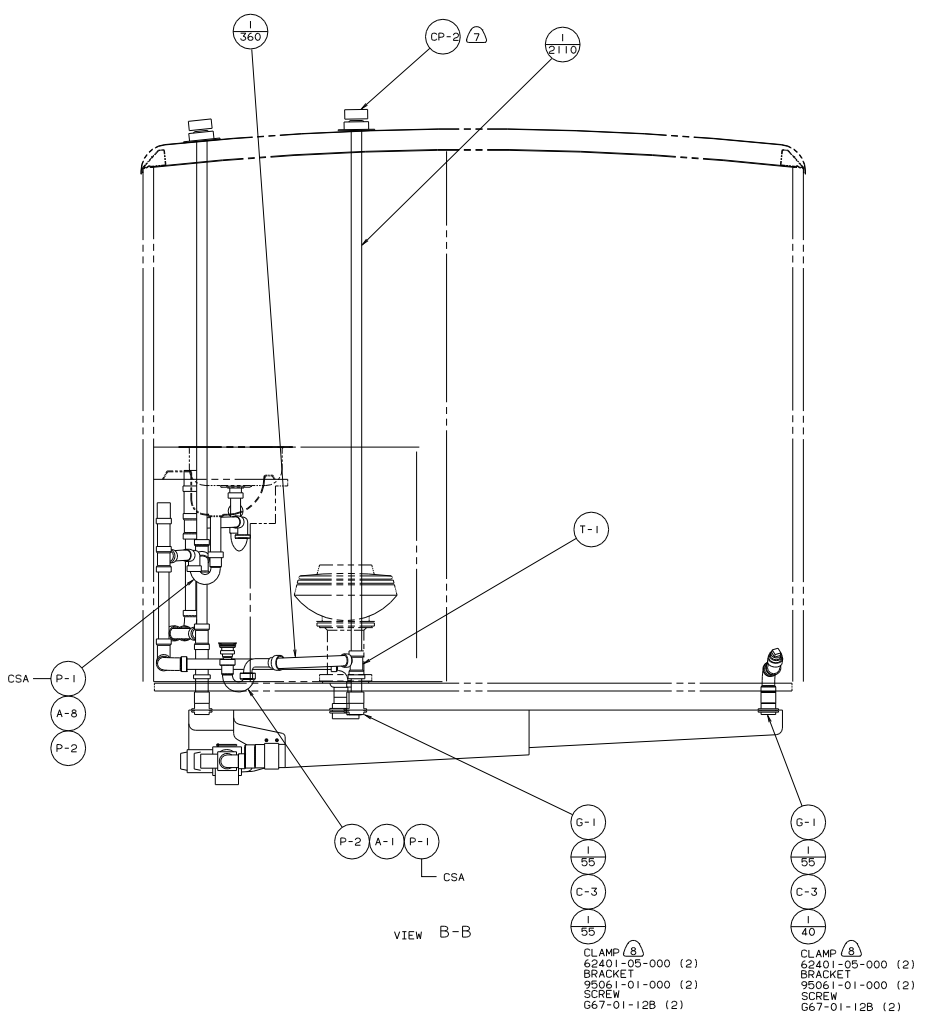


- 9. OPTIONAL TOILET.
- 8. SECURE VENT TUBES TO FLOOR.
- 7. VENT PIPE MUST BE PROJECTED 51 TO 64 MAXIMUM ABOVE ROOF FOR PROPER FIT AND FUNCTION.
- 6. SEE DRAWING 61607-01-000 FOR INSTALLATION OF GROMMET.
- 5. SEAL ALL AROUND SHOWER WITH SILICONE 78474-01-CHT.
- 4. FOR CANADIAN UNITS EACH HOLDING TANK SHALL HAVE A CSA APPROVAL STAMPED NEAR IAPMO APPROVAL.
- 3. ALL PIPE AND FITTINGS TO BE ASSEMBLED WITH SOLVENT 4020-01-000.
- 2. SLOPE OF TRAP MUST BE 6 PER 300 MINIMUM.
- 1. SLOPE OF HORIZONTAL PIPING TO BE 6 PER 300 MINIMUM.



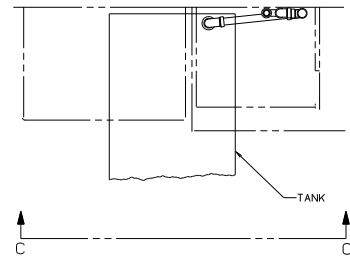
X-X FOR DRAINAGE CALLOUTS SEE DWG NO. 116229-01-000

WINNEGAGO 96 M35W0	
DRN#	UNSPECIFIED TOLERANCES ARE: MATERIAL:
DRP	WHOLE DIM (IN) .5
DRF	ONE-PLACE (IN.XI) .1
DRG	TWO-PLACE (IN.XI) .05
DRH	ANGLE
DRJ	THIRD ANGLE PROJECTION
DRK	
DRM	
DRN	
DRP	
DRQ	
DRR	
DRS	
DRT	
DRU	
DRV	
DRW	
DRX	
DRY	
DRZ	
DR1	
DR2	
DR3	
DR4	
DR5	
DR6	
DR7	
DR8	
DR9	
DR10	
DR11	
DR12	
DR13	
DR14	
DR15	
DR16	
DR17	
DR18	
DR19	
DR20	
DR21	
DR22	
DR23	
DR24	
DR25	
DR26	
DR27	
DR28	
DR29	
DR30	
DR31	
DR32	
DR33	
DR34	
DR35	
DR36	
DR37	
DR38	
DR39	
DR40	
DR41	
DR42	
DR43	
DR44	
DR45	
DR46	
DR47	
DR48	
DR49	
DR50	
DR51	
DR52	
DR53	
DR54	
DR55	
DR56	
DR57	
DR58	
DR59	
DR60	
DR61	
DR62	
DR63	
DR64	
DR65	
DR66	
DR67	
DR68	
DR69	
DR70	
DR71	
DR72	
DR73	
DR74	
DR75	
DR76	
DR77	
DR78	
DR79	
DR80	
DR81	
DR82	
DR83	
DR84	
DR85	
DR86	
DR87	
DR88	
DR89	
DR90	
DR91	
DR92	
DR93	
DR94	
DR95	
DR96	
DR97	
DR98	
DR99	
DR100	

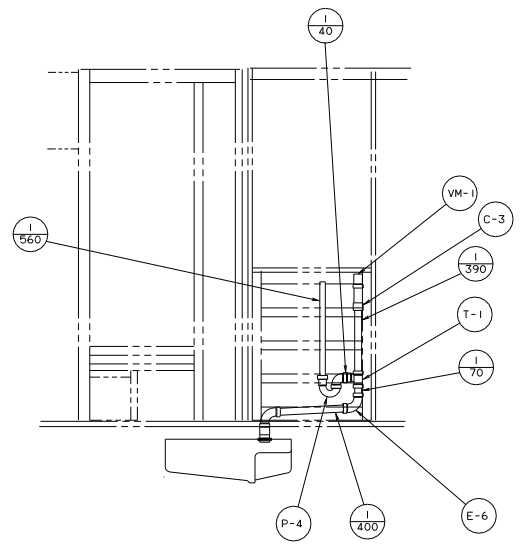


VIEW B-B

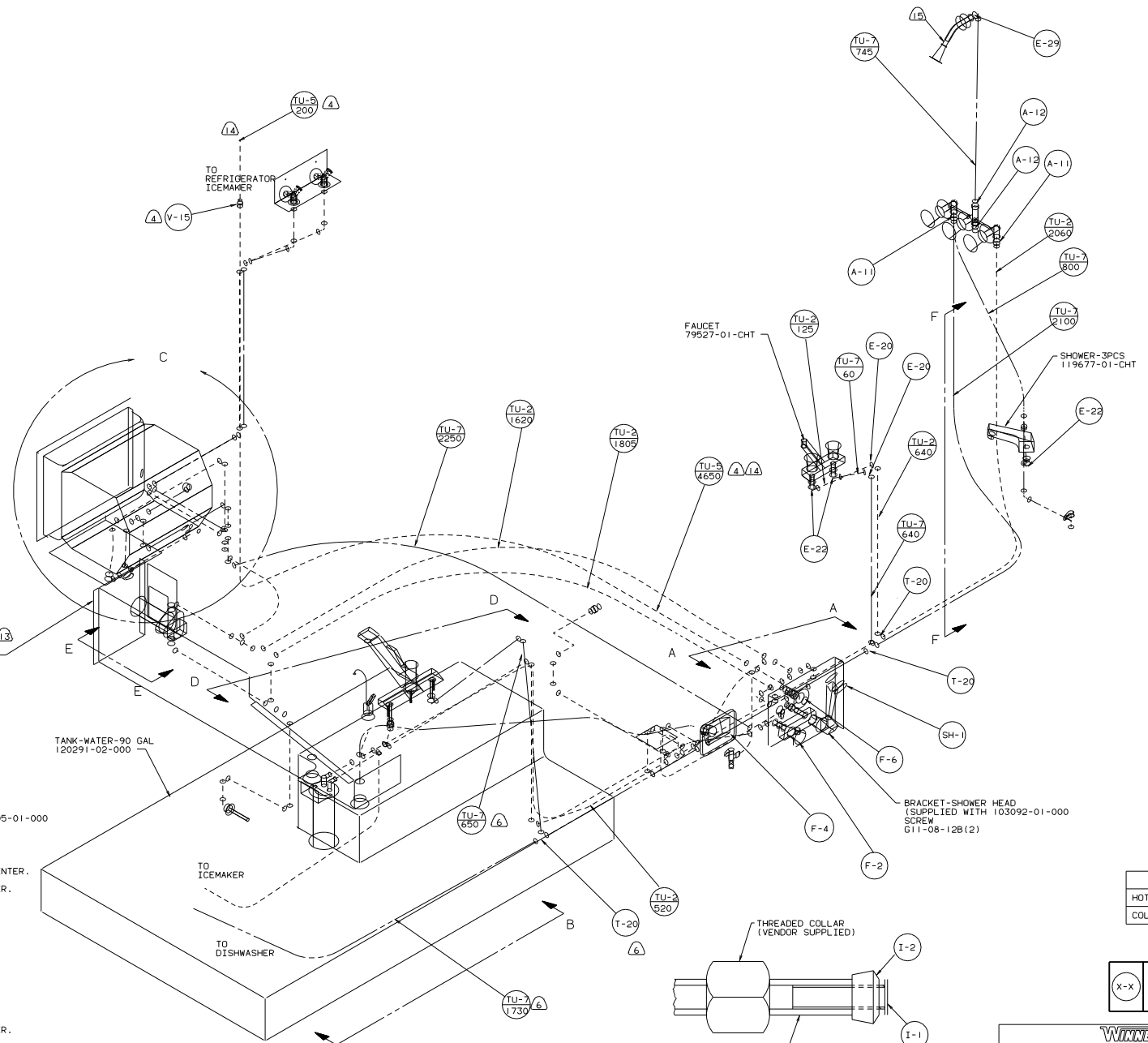
- CLAMP (8)
- 62401-05-000 (2)
- BRACKET
- 95061-01-000 (2)
- SCREW
- 667-01-12B (2)



DETAIL A  
WITH WASHER/DRYER



VIEW C-C



- (15) WRAP W/TEFLON TAPE, P/N 10405-01-000 MINIMUM 3 WRAPS.
- (14) USE DETAIL "M" IN THIS AREA (BOTH ENDS OF TUBING).
- (13) USE WITHOUT ENTERTAINMENT CENTER.
- (12) USE WITH ENTERTAINMENT CENTER.
- (11) USE WITH OUT DISHWASHER.
- (10) USE WITHOUT ICEMAKER.
- (9) USE WITHOUT WASHER-DRYER.
- (8) LOCATE BEHIND WASHER-DRYER.
- (7) USE WITH WASHER-DRYER.
- (6) USE WITH DISHWASHER.
- (5) USE WITH ICEMAKER.
- (4) USE WITH REFRIGERATOR-ICEMAKER.

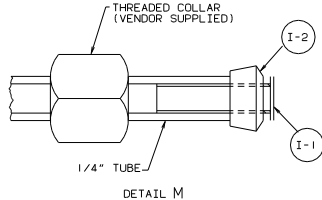
3. ALL TUBING TO BE SECURED AT 1200 INTERVALS MAX WITH CLAMP 10495-01-000 OR CLIP 91951-01-000 AND SCREW G67-10-12B.

2. TUBING TO BE INSTALLED WITH SUFFICIENT SLOPE TO PROVIDE DRAINAGE TO NEAREST VALVE.

1. PLASTIC FITTINGS TO BE SEALED WITH SEALANT 84456-01-000.

LEGEND	
HOT	-----
COLD	-----

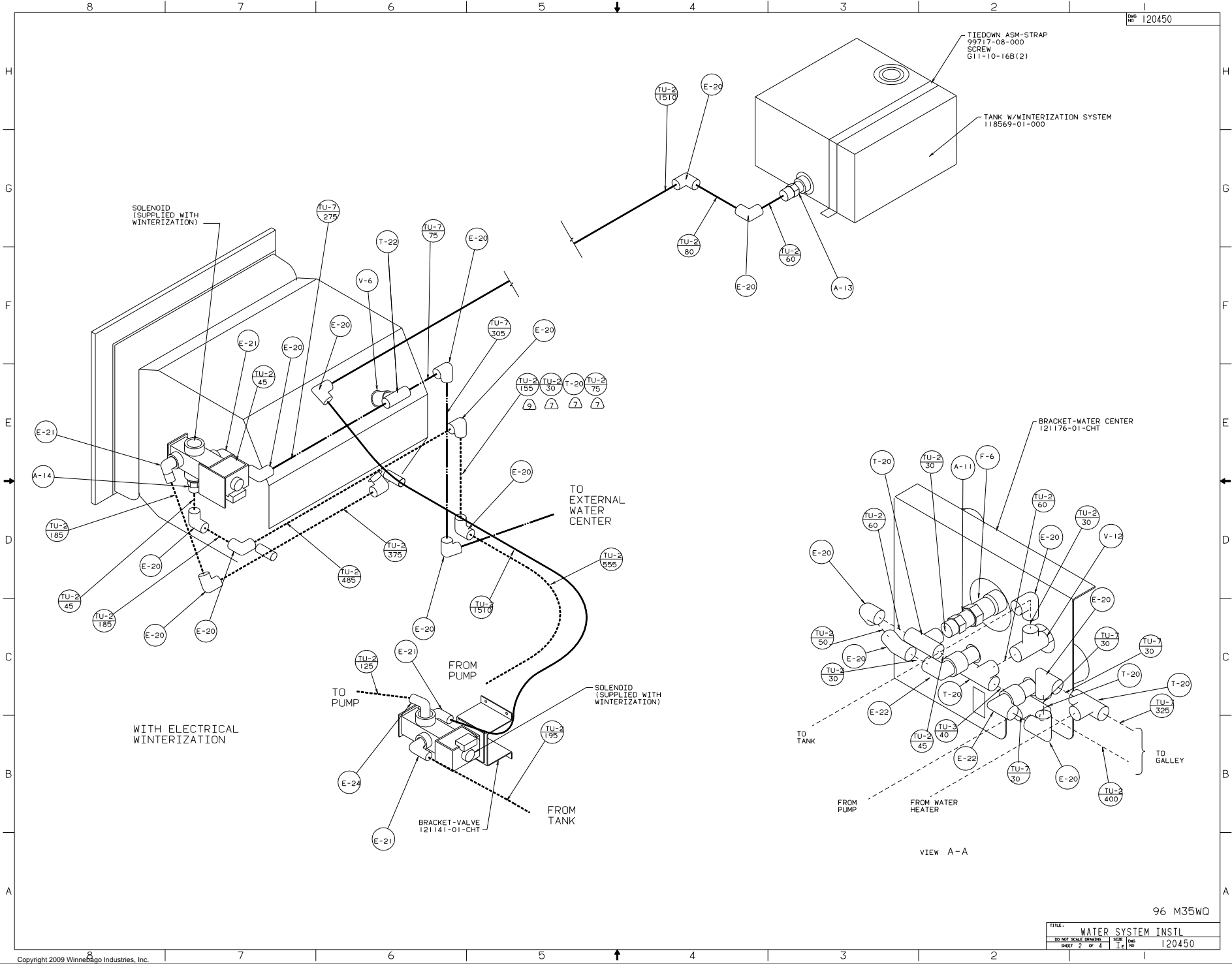
FOR WATER CALLOUTS SEE DWG NO. 116230-01-000



**WINNERAGO** 96 M35W0

DATE	REV.	BY	CHKD.	APP.	MATERIAL

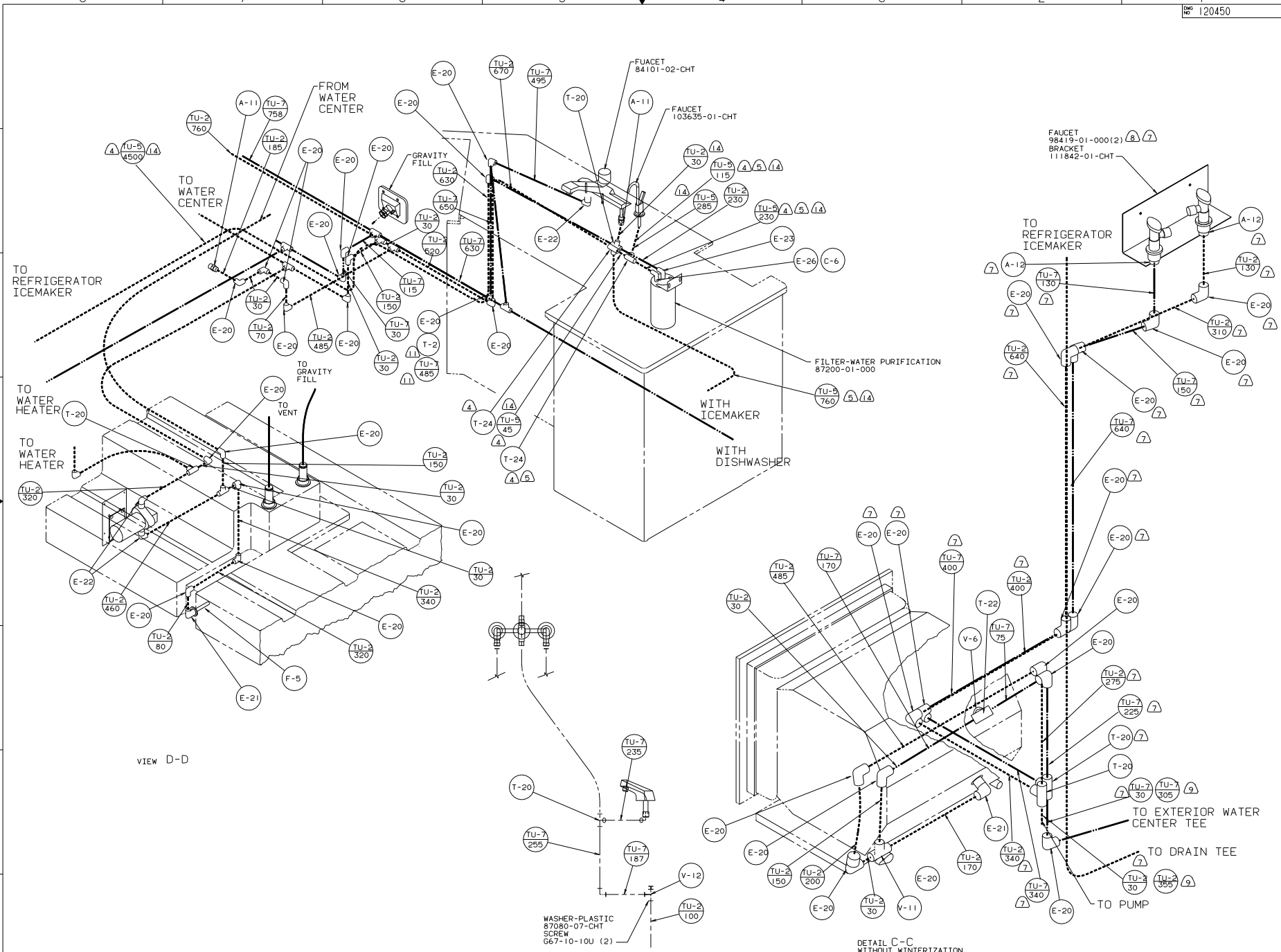
LANDING NO. M35W06 TITLE: WATER SYSTEM INSTL  
REV. 16 NO. 120450  
SHEET 1 OF 4  
ALL DIMENSIONS ARE IN MILLIMETERS



VIEW A-A

96 M35WQ

TITLE: WATER SYSTEM INSTL		DWG NO: 120450	
30 NET SCALE DRAWING	SHEET 2 OF 4	REV 1	DATE



VIEW D-D

VIEW F-F

DETAIL C-C WITHOUT WINTERIZATION

TITLE: WATER SYSTEM INSTL	
30 NET SCALE DRAWING	SHEET 3 OF 4
DATE: 1/11/09	120450

