

- 9. OPTIONAL TOILET.
- 8. SECURE VENT TUBES TO FLOOR.
- 7. VENT PIPE MUST BE PROJECTED 51 TO 64 MAXIMUM ABOVE ROOF FOR PROPER FIT AND FUNCTION.
- 6. SEE DRAWING 61607-01-000 FOR INSTALLATION OF GROMMET.
- 5. SEAL ALL AROUND SHOWER WITH SILICONE 78474-01-CHT.
- 4. FOR CANADIAN UNITS EACH HOLDING TANK SHALL HAVE A CSA APPROVAL STAMPED NEAR IAPMO APPROVAL.
- 3. ALL PIPE AND FITTINGS TO BE ASSEMBLED WITH SOLVENT 4020-01-000.
- 2. SLOPE OF TRAP MUST BE 6 PER 300 MINIMUM.
- 1. SLOPE OF HORIZONTAL PIPING TO BE 6 PER 300 MINIMUM.

(X-X) FOR DRAINAGE CALLOUTS SEE DWG NO. 116229-01-000

WINNEBAGO		94 M35RQ
DATE	UNSPECIFIED TOLERANCES ARE	MATERIAL
CHP	WHILE SHIP	3
P.E	ONE-PLACE OR .01	
M.F	TWO-PLACE OR .001	
W.F	WHILE	
CDR	SHIP-WHILE PROTECTION	
LAYOUT M35R03	TITLE: DRAINAGE SYSTEM INSTL	
ED #	SCALE	NAME
NO	DO NOT SCALE DIMENSIONS	DATE
ALL DIMENSIONS ARE IN MILLIMETERS	SHEET 1	OF 2
	REV	NO
		111815

FRONT AXLE

C

C

TANK

DETAIL B

40 C-3 55

E-6

170

E-15

VM-1

330

440

T-1

100

G-1

765

P-4

30

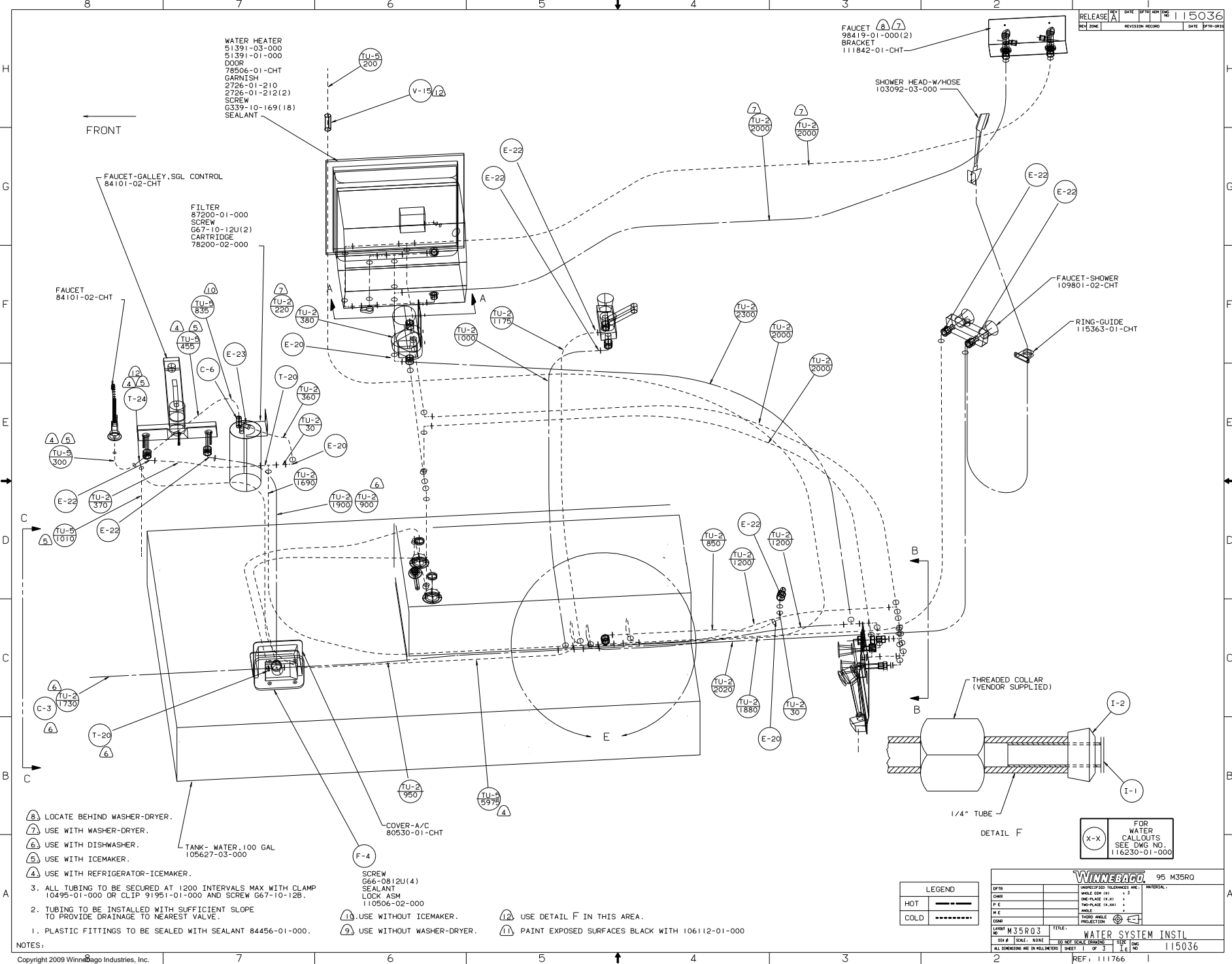
E-6

WITH WASHER/DRYER

94 M37RW

VIEW C-C

TITLE: DRAINAGE SYSTEM INSTL		DATE: 11/11/09	SCALE: 1/2" = 1'-0"
NO. OF SHEETS: 2	OF 2	SHEET NO: 2	OF 2



WATER HEATER
 51391-03-000
 51391-01-000
 DOOR
 78506-01-CHT
 GARNISH
 2726-01-210
 2726-01-212(2)
 SCREW
 G339-10-169(18)
 SEALANT

FAUCET (8) (7)
 98419-01-000(2)
 BRACKET
 111842-01-CHT

SHOWER HEAD-W/HOSE
 103092-03-000

FILTER
 87200-01-000
 SCREW
 G67-10-12U(2)
 CARTRIDGE
 78200-02-000

FAUCET
 84101-02-CHT

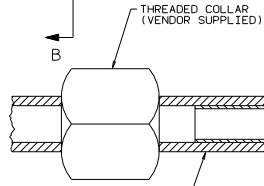
FAUCET-SHOWER
 109801-02-CHT

RING-GUIDE
 115363-01-CHT

- (8) LOCATE BEHIND WASHER-DRYER.
 - (7) USE WITH WASHER-DRYER.
 - (6) USE WITH DISHWASHER.
 - (5) USE WITH ICEMAKER.
 - (4) USE WITH REFRIGERATOR-ICEMAKER.
3. ALL TUBING TO BE SECURED AT 1200 INTERVALS MAX WITH CLAMP 10495-01-000 OR CLIP 91951-01-000 AND SCREW G67-10-12B.
2. TUBING TO BE INSTALLED WITH SUFFICIENT SLOPE TO PROVIDE DRAINAGE TO NEAREST VALVE.
1. PLASTIC FITTINGS TO BE SEALED WITH SEALANT 84456-01-000.

SCREW
 G66-0812U(4)
 SEALANT
 LOCK ASM
 110506-02-000

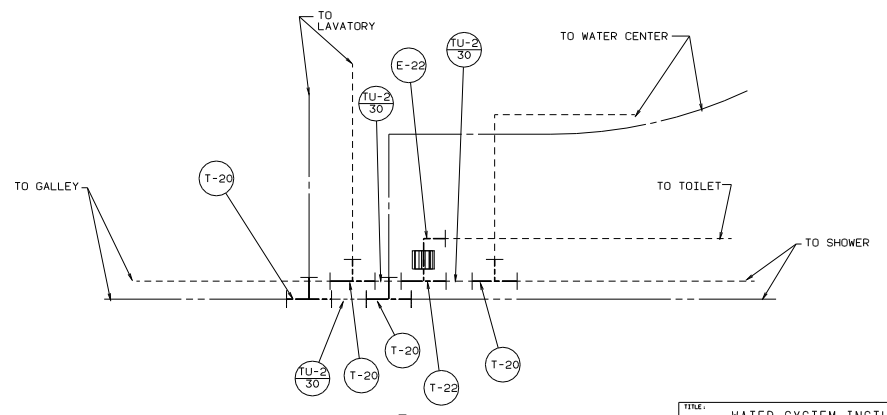
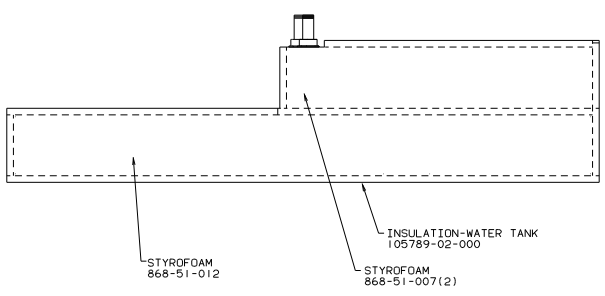
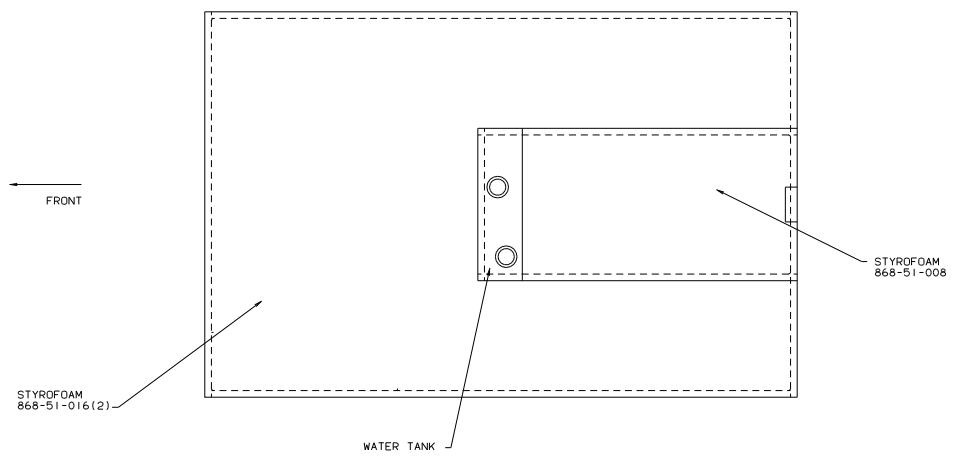
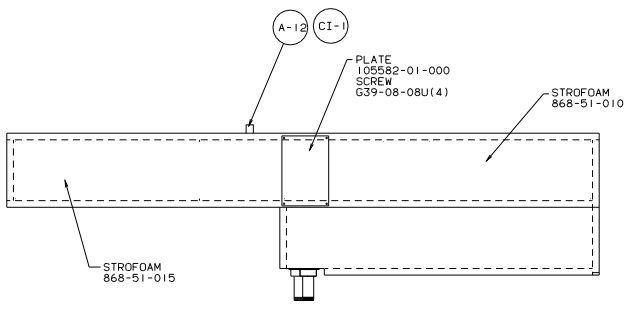
- (10) USE WITHOUT ICEMAKER.
- (9) USE WITHOUT WASHER-DRYER.
- (12) USE DETAIL F IN THIS AREA.
- (11) PAINT EXPOSED SURFACES BLACK WITH 106112-01-000



LEGEND	
HOT	-----
COLD	-----

(X-X) FOR WATER CALLOUTS SEE DWG NO. 116230-01-000

WINNENAGO		95 M35R0
DATE	ISSUED	PROJECTED TOLERANCES ARE:
BY	CHKD	ANGLE DIM (1) .3
APP'D	DESIGNED	ANGLE DIM (2) .1
DATE	DATE	ANGLE DIM (3) .1
DATE	DATE	ANGLE DIM (4) .1
DATE	DATE	ANGLE DIM (5) .1
DATE	DATE	ANGLE DIM (6) .1
DATE	DATE	ANGLE DIM (7) .1
DATE	DATE	ANGLE DIM (8) .1
DATE	DATE	ANGLE DIM (9) .1
DATE	DATE	ANGLE DIM (10) .1
DATE	DATE	ANGLE DIM (11) .1
DATE	DATE	ANGLE DIM (12) .1
DATE	DATE	ANGLE DIM (13) .1
DATE	DATE	ANGLE DIM (14) .1
DATE	DATE	ANGLE DIM (15) .1
DATE	DATE	ANGLE DIM (16) .1
DATE	DATE	ANGLE DIM (17) .1
DATE	DATE	ANGLE DIM (18) .1
DATE	DATE	ANGLE DIM (19) .1
DATE	DATE	ANGLE DIM (20) .1
DATE	DATE	ANGLE DIM (21) .1
DATE	DATE	ANGLE DIM (22) .1
DATE	DATE	ANGLE DIM (23) .1
DATE	DATE	ANGLE DIM (24) .1
DATE	DATE	ANGLE DIM (25) .1
DATE	DATE	ANGLE DIM (26) .1
DATE	DATE	ANGLE DIM (27) .1
DATE	DATE	ANGLE DIM (28) .1
DATE	DATE	ANGLE DIM (29) .1
DATE	DATE	ANGLE DIM (30) .1
DATE	DATE	ANGLE DIM (31) .1
DATE	DATE	ANGLE DIM (32) .1
DATE	DATE	ANGLE DIM (33) .1
DATE	DATE	ANGLE DIM (34) .1
DATE	DATE	ANGLE DIM (35) .1
DATE	DATE	ANGLE DIM (36) .1
DATE	DATE	ANGLE DIM (37) .1
DATE	DATE	ANGLE DIM (38) .1
DATE	DATE	ANGLE DIM (39) .1
DATE	DATE	ANGLE DIM (40) .1
DATE	DATE	ANGLE DIM (41) .1
DATE	DATE	ANGLE DIM (42) .1
DATE	DATE	ANGLE DIM (43) .1
DATE	DATE	ANGLE DIM (44) .1
DATE	DATE	ANGLE DIM (45) .1
DATE	DATE	ANGLE DIM (46) .1
DATE	DATE	ANGLE DIM (47) .1
DATE	DATE	ANGLE DIM (48) .1
DATE	DATE	ANGLE DIM (49) .1
DATE	DATE	ANGLE DIM (50) .1
DATE	DATE	ANGLE DIM (51) .1
DATE	DATE	ANGLE DIM (52) .1
DATE	DATE	ANGLE DIM (53) .1
DATE	DATE	ANGLE DIM (54) .1
DATE	DATE	ANGLE DIM (55) .1
DATE	DATE	ANGLE DIM (56) .1
DATE	DATE	ANGLE DIM (57) .1
DATE	DATE	ANGLE DIM (58) .1
DATE	DATE	ANGLE DIM (59) .1
DATE	DATE	ANGLE DIM (60) .1
DATE	DATE	ANGLE DIM (61) .1
DATE	DATE	ANGLE DIM (62) .1
DATE	DATE	ANGLE DIM (63) .1
DATE	DATE	ANGLE DIM (64) .1
DATE	DATE	ANGLE DIM (65) .1
DATE	DATE	ANGLE DIM (66) .1
DATE	DATE	ANGLE DIM (67) .1
DATE	DATE	ANGLE DIM (68) .1
DATE	DATE	ANGLE DIM (69) .1
DATE	DATE	ANGLE DIM (70) .1
DATE	DATE	ANGLE DIM (71) .1
DATE	DATE	ANGLE DIM (72) .1
DATE	DATE	ANGLE DIM (73) .1
DATE	DATE	ANGLE DIM (74) .1
DATE	DATE	ANGLE DIM (75) .1
DATE	DATE	ANGLE DIM (76) .1
DATE	DATE	ANGLE DIM (77) .1
DATE	DATE	ANGLE DIM (78) .1
DATE	DATE	ANGLE DIM (79) .1
DATE	DATE	ANGLE DIM (80) .1
DATE	DATE	ANGLE DIM (81) .1
DATE	DATE	ANGLE DIM (82) .1
DATE	DATE	ANGLE DIM (83) .1
DATE	DATE	ANGLE DIM (84) .1
DATE	DATE	ANGLE DIM (85) .1
DATE	DATE	ANGLE DIM (86) .1
DATE	DATE	ANGLE DIM (87) .1
DATE	DATE	ANGLE DIM (88) .1
DATE	DATE	ANGLE DIM (89) .1
DATE	DATE	ANGLE DIM (90) .1
DATE	DATE	ANGLE DIM (91) .1
DATE	DATE	ANGLE DIM (92) .1
DATE	DATE	ANGLE DIM (93) .1
DATE	DATE	ANGLE DIM (94) .1
DATE	DATE	ANGLE DIM (95) .1
DATE	DATE	ANGLE DIM (96) .1
DATE	DATE	ANGLE DIM (97) .1
DATE	DATE	ANGLE DIM (98) .1
DATE	DATE	ANGLE DIM (99) .1
DATE	DATE	ANGLE DIM (100) .1



DETAIL E

TITLE: WATER SYSTEM INSTL	
30 NET SCALE DRAWING	SIZE 11E
SHEET 3 OF 3	NO 115036