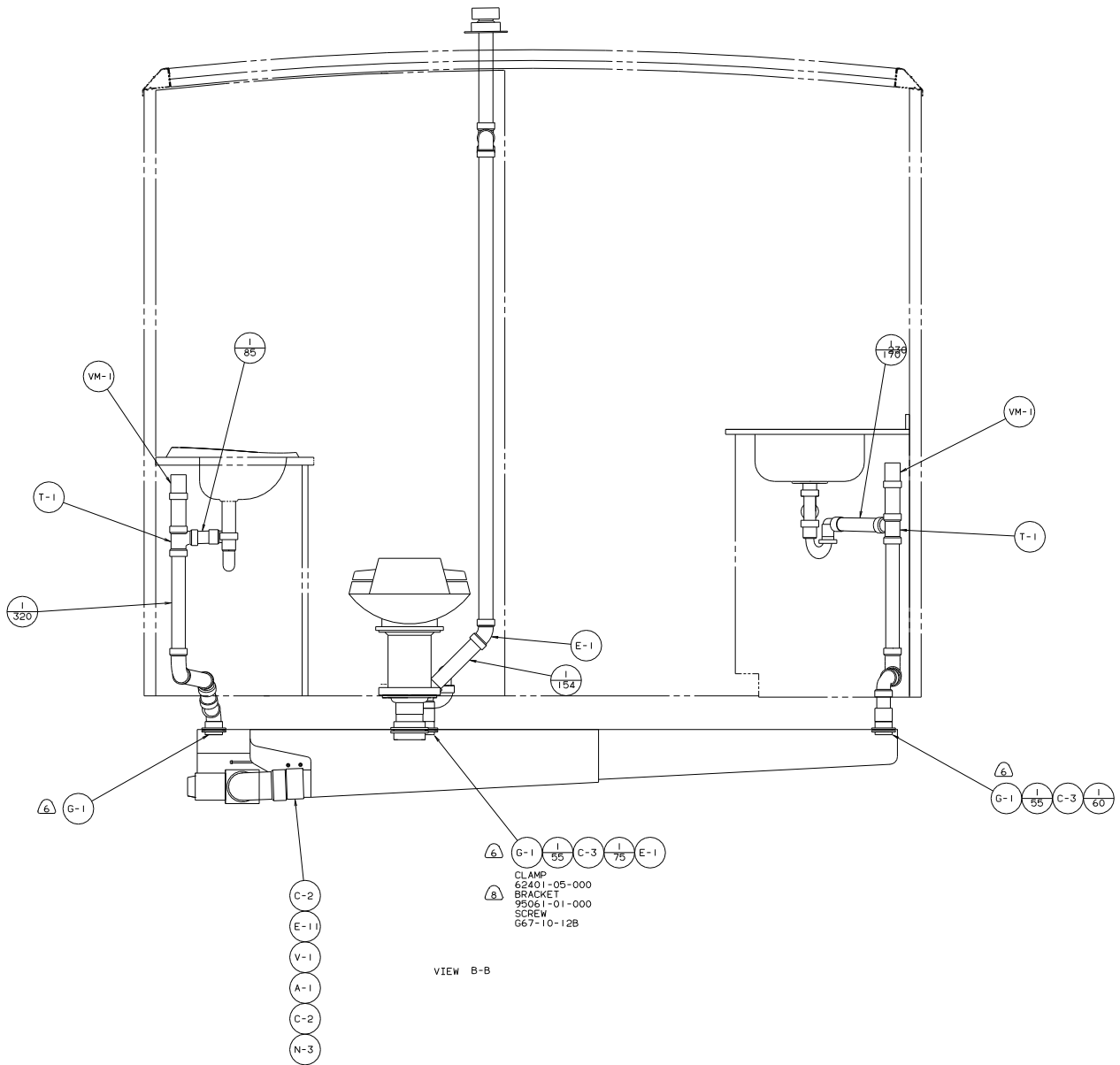
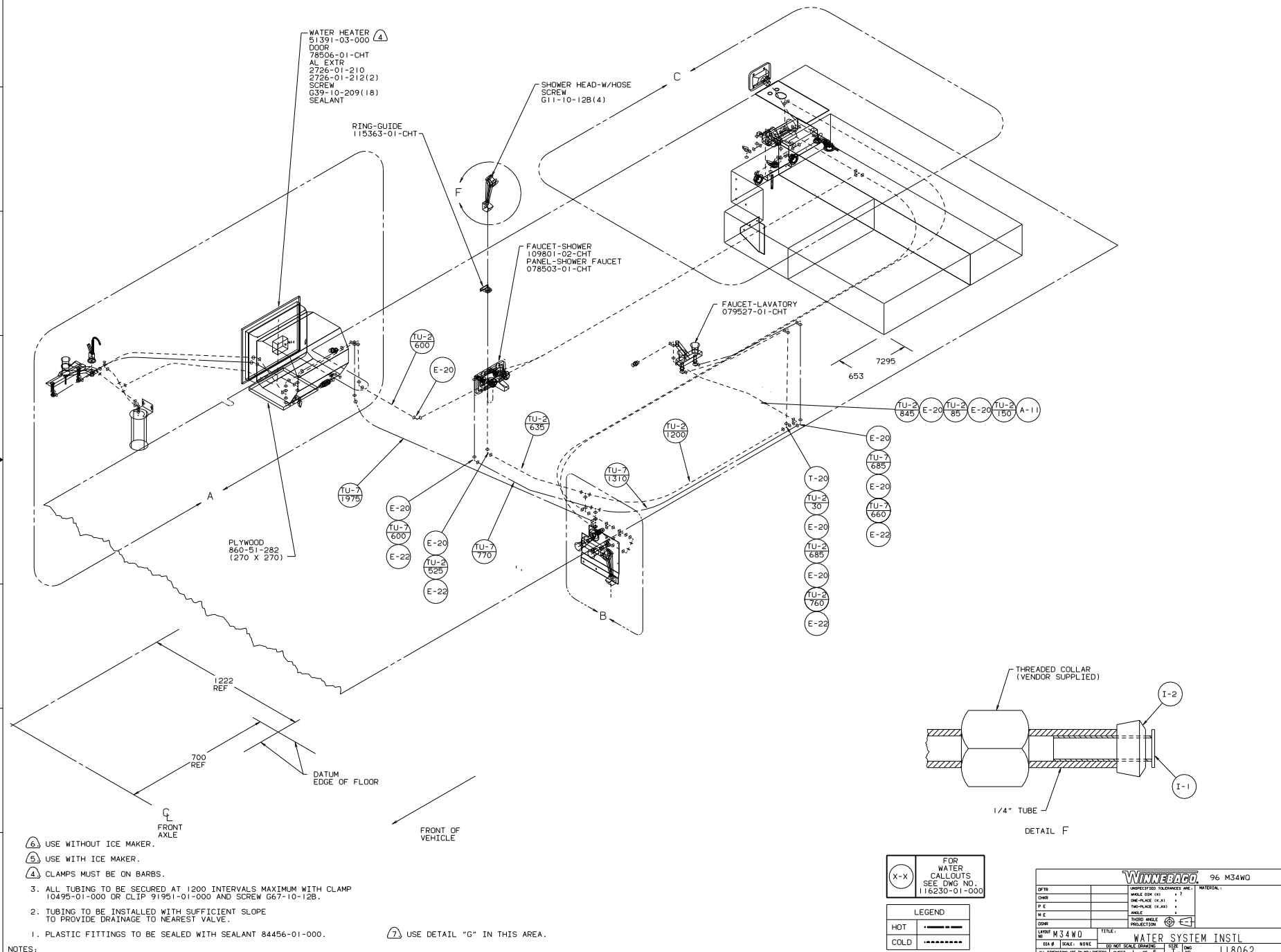


- Ⓐ SECURE VENT TUBES TO FLOOR.
- Ⓐ VENT PIPE MUST BE PROJECTED 51 TO 64 MAXIMUM ABOVE ROOF FOR PROPER FIT AND FUNCTION.
- Ⓐ SEE DRAWING 61607-01-000 FOR INSTALLATION OF GROMMET.
- 5. SEAL ALL AROUND SHOWER WITH SILICONE 78474-01-CHT.
- 4. FOR CANADIAN UNITS EACH HOLDING TANK SHALL HAVE A CSA APPROVAL STAMPED NEAR IAPMO APPROVAL.
- 3. ALL PIPE AND FITTINGS TO BE ASSEMBLED WITH SOLVENT 4020-01-000.
- 2. SLOPE OF TRAP MUST BE 6 PER 300 MINIMUM.
- 1. SLOPE OF HORIZONTAL PIPING TO BE 6 PER 300 MINIMUM.

(X-X) FOR DRAINAGE CALLOUTS SEE DWG NO. 116229-01-000

WINNEMAGO 96 M34W0	
QTY IN	UNSPECIFIED TOLERANCES ARE:
CHRP	ANGLE DIM (IN) ±
PIE	ONE-PLATE (IN.XI) ±
PIE	TWO-PLATE (IN.XXX) ±
PIE	ANGLE
CDR	THIRD ANGLE PROJECTION
LANE# M34W0	TITLE: DRAINAGE SYSTEM INSTL
DIA # SCALE: NONE	30 MET SCALE DRAWING
ALL DIMENSIONS ARE IN MILLIMETERS	SHEET 1 OF 2
REF: 111878	117803





WATER HEATER
 51391-03-000
 DOOR
 78506-01-CHT
 AL. EXTR.
 2726-01-210
 2726-01-212(2)
 SCREW
 639-10-209(18)
 SEALANT

RING-GUIDE
 115363-01-CHT

SHOWER HEAD-W/HOSE
 SCREW
 G11-10-12B(4)

FAUCET-SHOWER
 109801-02-CHT
 PANEL-SHOWER FAUCET
 078503-01-CHT

FAUCET-LAVATORY
 079527-01-CHT

PLYWOOD
 860-51-282
 (270 X 270)

1222
 REF

700
 REF

DATUM
 EDGE OF FLOOR

FRONT OF
 VEHICLE

FRONT
 AXLE

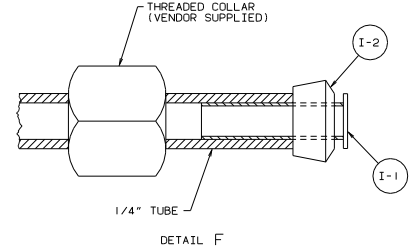
- Ⓐ USE WITHOUT ICE MAKER.
- Ⓑ USE WITH ICE MAKER.
- Ⓒ CLAMPS MUST BE ON BARBS.

3. ALL TUBING TO BE SECURED AT 1200 INTERVALS MAXIMUM WITH CLAMP
 10495-01-000 OR CLIP 91951-01-000 AND SCREW G67-10-12B.

2. TUBING TO BE INSTALLED WITH SUFFICIENT SLOPE
 TO PROVIDE DRAINAGE TO NEAREST VALVE.

1. PLASTIC FITTINGS TO BE SEALED WITH SEALANT 84456-01-000.

Ⓓ USE DETAIL "G" IN THIS AREA.



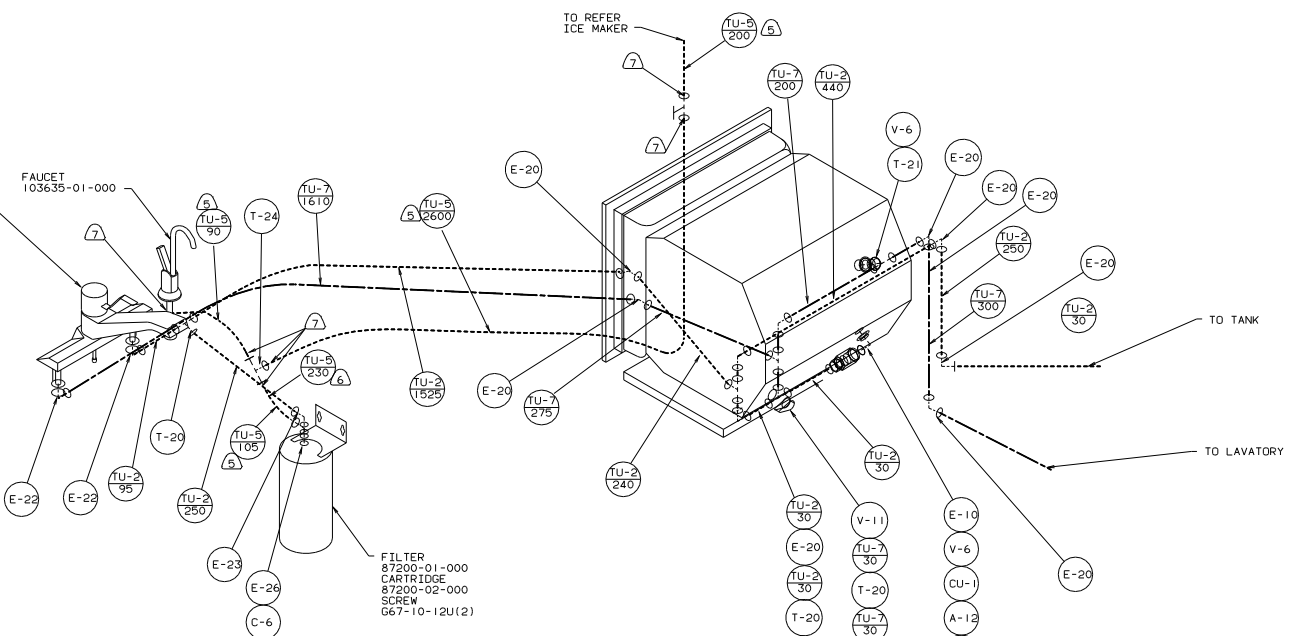
FOR WATER
 CALLOUTS
 SEE DWG NO.
 116230-01-000

LEGEND	
HOT	-----
COLD	-----

WINNERAGO		96 M34W0
OPTN	UNSPECIFIED TOLERANCES ARE:	MATERIAL:
CHRP	WHOLE DIM (IN)	1/8"
DR	ONE-PLACE (IN.XI)	1/16"
FR	TWO-PLACE (IN.XI)	1/32"
FIN	ANGLE	1/32"
CDR	THIRD ANGLE PROJECTION	
LANPT	M34W0	TITLE: WATER SYSTEM INSTL
REV	SCALE: NONE	300 NET SCALE DRAWING
ALL DIMENSIONS ARE IN MILLIMETERS	SHEET 1 OF 5	DATE: 8/18/09
REF: 115034	118062	

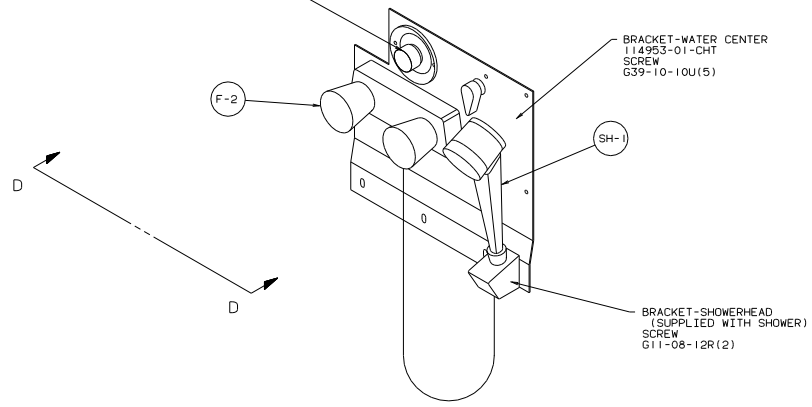
FAUCET-GALLEY, SGL CONTROL
84101-02-000

FAUCET
103635-01-000

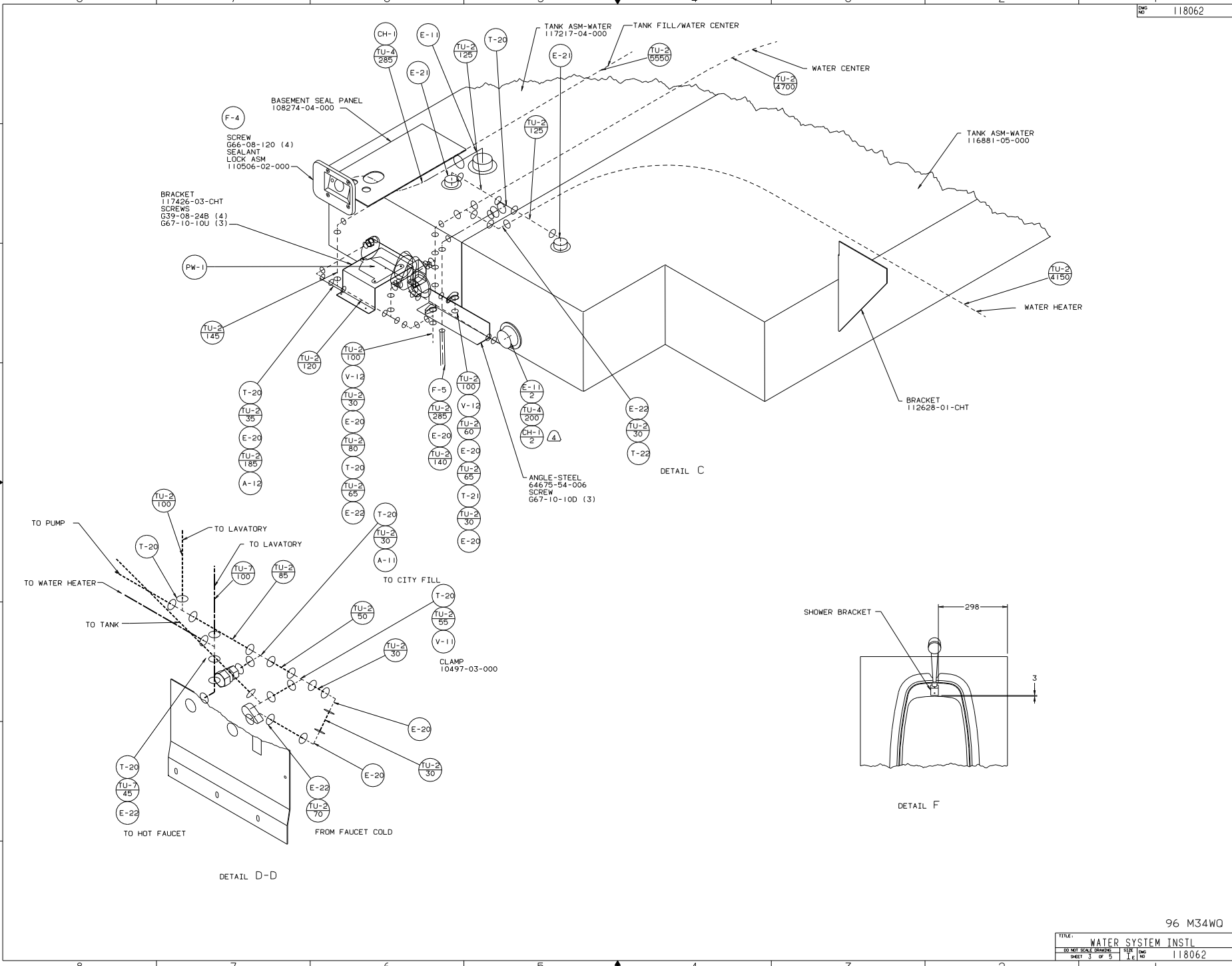


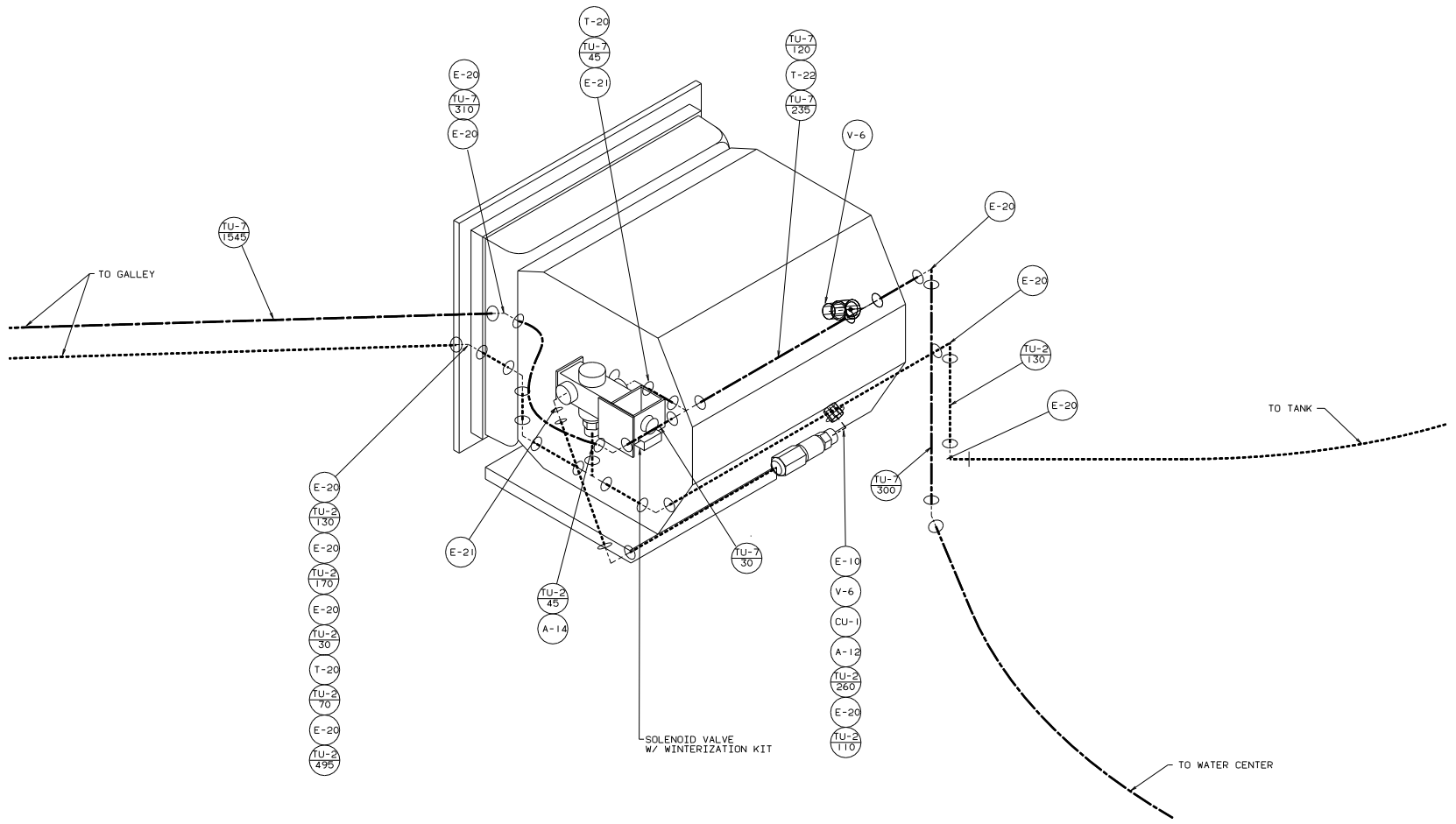
DETAIL A

FILL-CITY
78505-02-CHT
SCREW
G11-08-08U(2)



DETAIL B





SOLENOID VALVE
W/ WINTERIZATION KIT

TO GALLEY

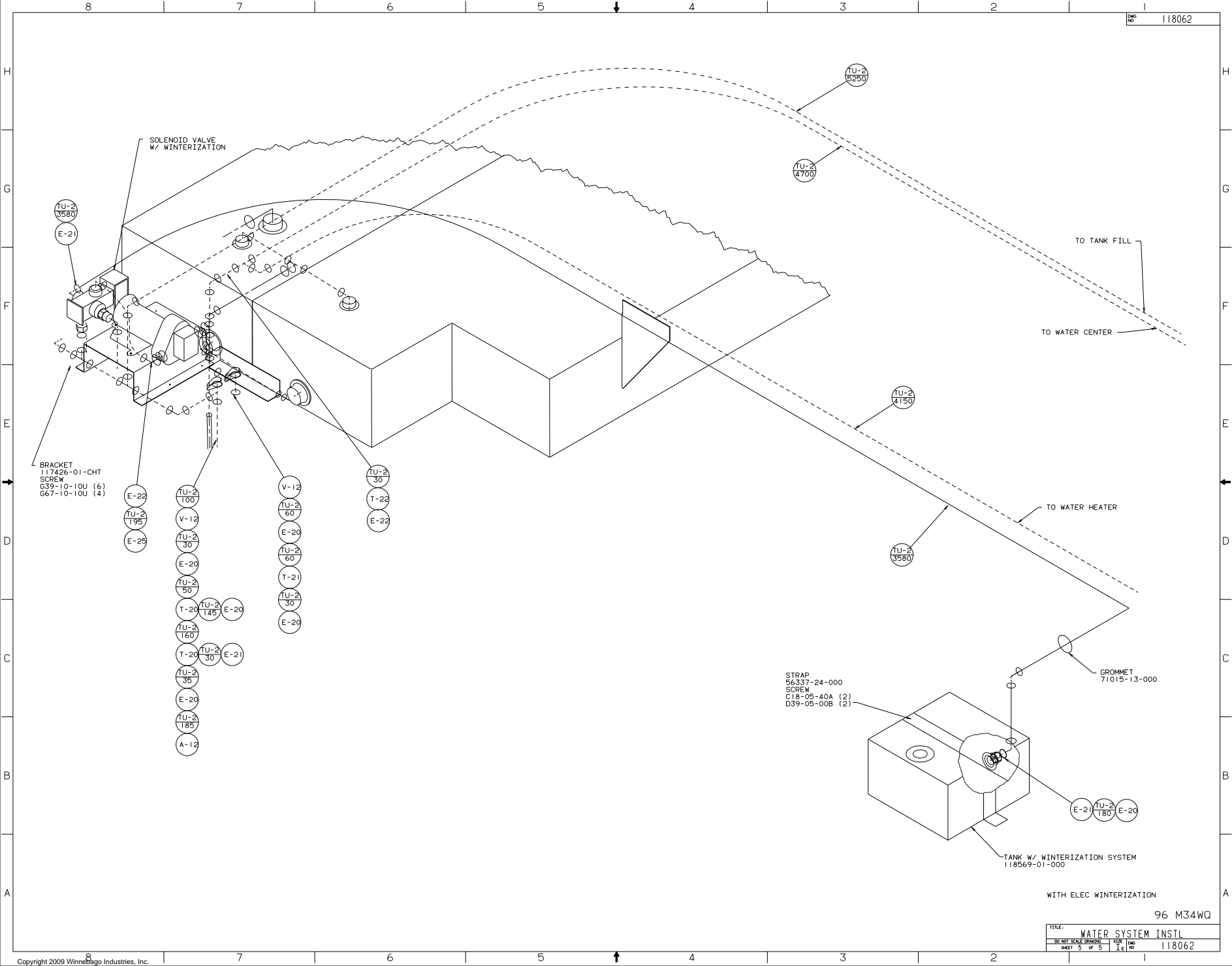
TO TANK

TO WATER CENTER

WITH ELEC BYPASS

96 M34WD

TITLE		WATER SYSTEM INSTL	
30	NO. SCALE DRAWING	1	1
4	SHEET OF 5	1	1
DRAWING NO.		118062	



SOLENOID VALVE
W/ WINTERIZATION

BRACKET
117426-01-CHT
SCREW
G39-10-10U (6)
G67-10-10U (4)

STRAP
56337-24-000
SCREW
C18-05-40A (2)
D39-05-00B (2)

GROMMET
71015-13-000

TANK W/ WINTERIZATION SYSTEM
118569-01-000

WITH ELEC WINTERIZATION

96 M34WD

TITLE: WATER SYSTEM INSTL	
30 NET SCALE DRAWING	5th Ed
SHEET 5 OF 5	118062