

SINK  
 110654-01-000 (US/CAN)  
 RETAINER  
 105497-01-000 (2)  
 105497-02-000 (4)  
 SCREW  
 G67-06-100 (22)  
 STRAINER W/BASKET  
 92303-01-000 (2)  
 SEALER  
 69640-01-000

BRACKET  
 112876-03-CHT  
 SCREW  
 G39-10-120 (3)

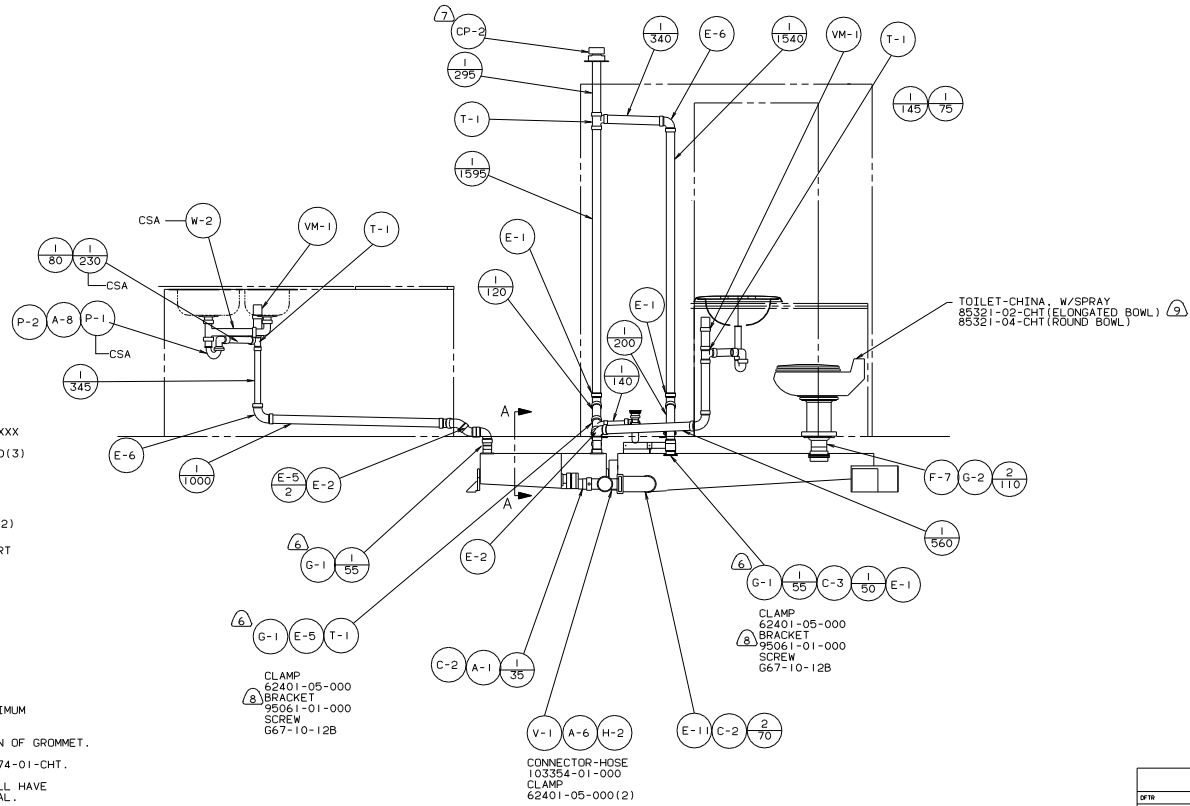
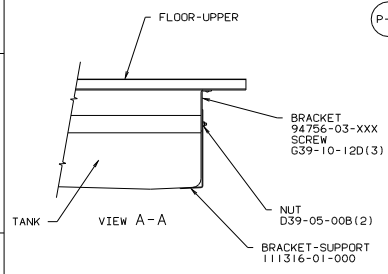
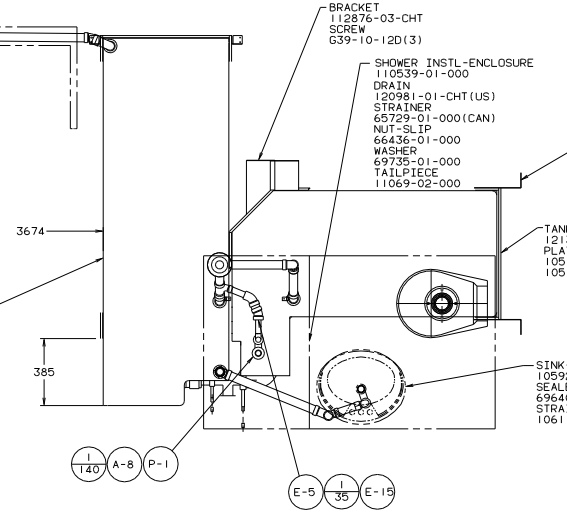
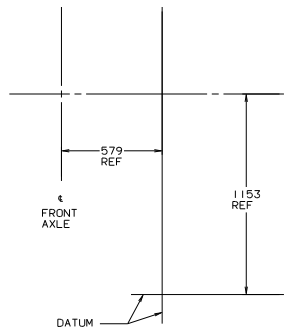
SHOWER INSTL-ENCLOSURE  
 110539-01-000  
 DRAIN  
 120981-01-CHT (US)  
 STRAINER  
 65729-01-000 (CAN)  
 NUT-SLIP  
 66436-01-000  
 WASHER  
 69735-01-000  
 TAILPIECE  
 11069-02-000

BRACKET  
 94756-01-CHT (2)  
 SCREW  
 G39-10-120 (6)

TANK-HOLDING  
 121386-02-000  
 PLATFORM ASM-HOLDING TANK  
 105193-15-XXX  
 105193-14-XXX

SINK-LAVATORY  
 105921-01-CHT  
 SEALER  
 69640-01-000  
 STRAINER  
 106116-01-CHT

TANK-HOLDING  
 121385-02-000  
 PLATFORM ASM-HOLDING TANK  
 105193-12-XXX  
 105193-13-XXX



- ⑨ ONLY AVAILABLE ON OSHKOSH CHASSIS.
- ⑧ SECURE VENT TUBES TO FLOOR.
- ⑦ VENT PIPE MUST BE PROJECTED 51 TO 64 MAXIMUM ABOVE ROOF FOR PROPER FIT AND FUNCTION.
- ⑥ SEE DRAWING 61607-01-000 FOR INSTALLATION OF GROMMET.
- 5. SEAL ALL AROUND SHOWER WITH SILICONE 78474-01-CHT.
- 4. FOR CANADIAN UNITS EACH HOLDING TANK SHALL HAVE A CSA APPROVAL STAMPED NEAR IAPMO APPROVAL.
- 3. ALL PIPE AND FITTINGS TO BE ASSEMBLED WITH SOLVENT 4020-01-000.
- 2. SLOPE OF TRAP MUST BE 6 PER 300 MINIMUM.
- 1. SLOPE OF HORIZONTAL PIPING TO BE 6 PER 300 MINIMUM.

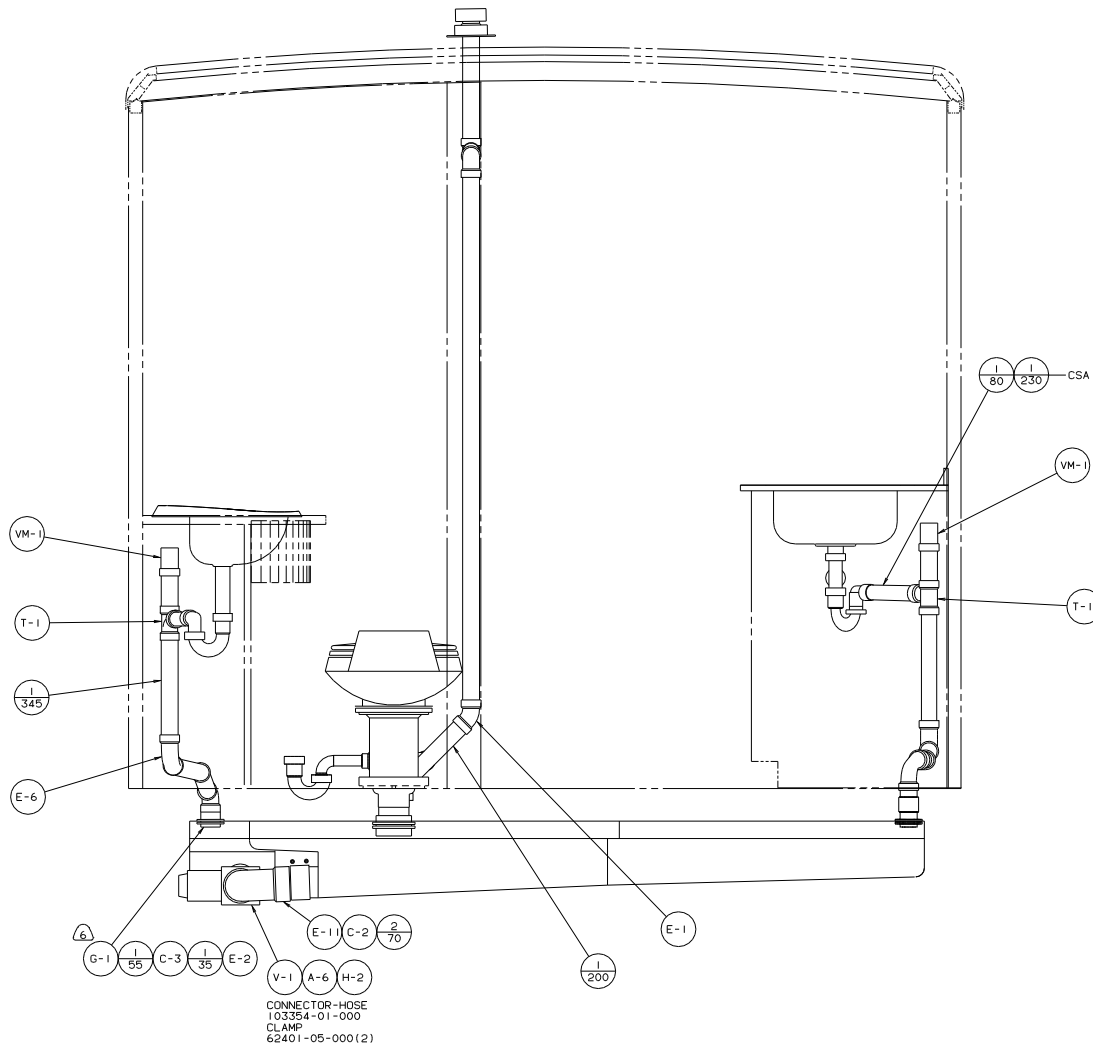
CLAMP  
 62401-05-000  
 BRACKET  
 95061-01-000  
 SCREW  
 G67-10-12B

CLAMP  
 62401-05-000  
 BRACKET  
 95061-01-000  
 SCREW  
 G67-10-12B

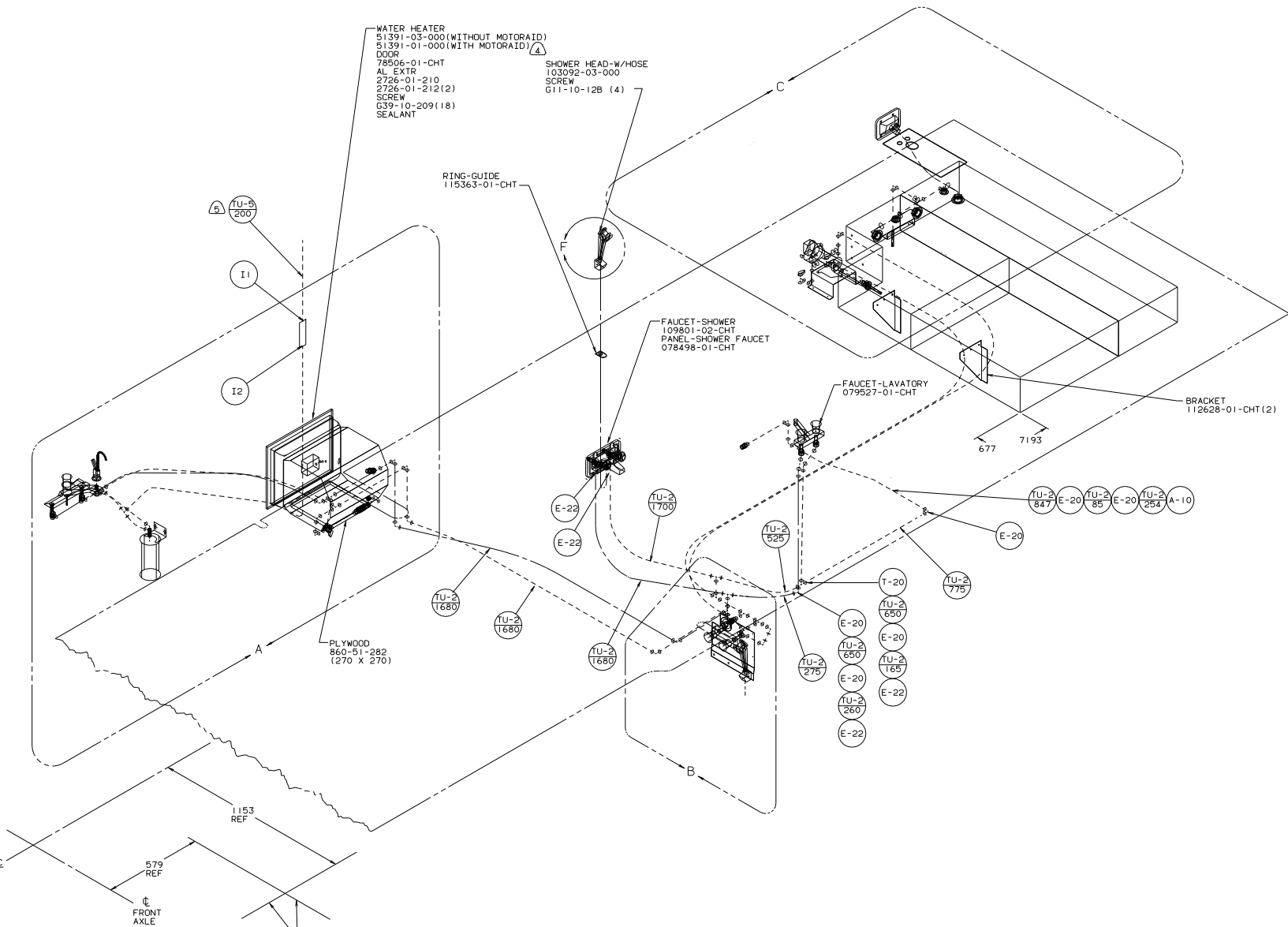
CONNECTOR-HOSE  
 103354-01-000  
 CLAMP  
 62401-05-000 (2)

(X-X) FOR DRAINAGE CALLOUTS SEE DWG NO. 116229-01-000

WINNEBAGO		96 MK34RD
DRN	UNSPECIFIED TOLERANCES ARE:	MATERIAL:
CHRP	HALF DIA (H)	ONE-PLATE (H, H1)
PIE	ONE-PLATE (H, H1)	TWO-PLATE (H, H1)
W.E	ANGLE	ANGLE
CDR	THRU HOLE PROJECTION	
LANFR NO: MK34RD	TITLE: DRAINAGE SYSTEM INSTL	DRG NO: 119516
DIA # SCALE: NONE	30:1 NET SCALE DRAWING	SHEET 1 OF 2
ALL DIMENSIONS ARE IN MILLIMETERS		



VIEW B-B



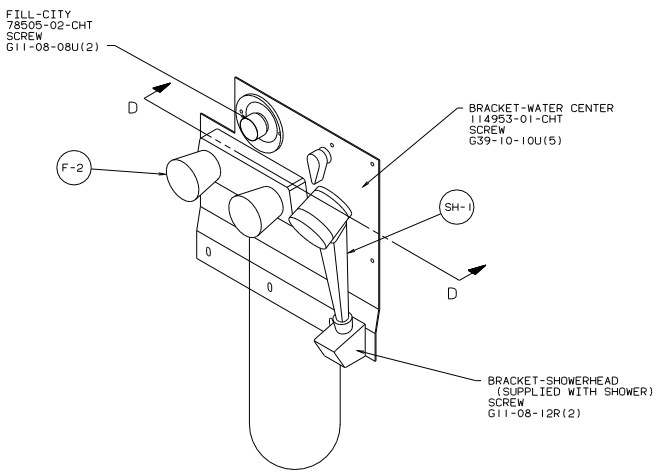
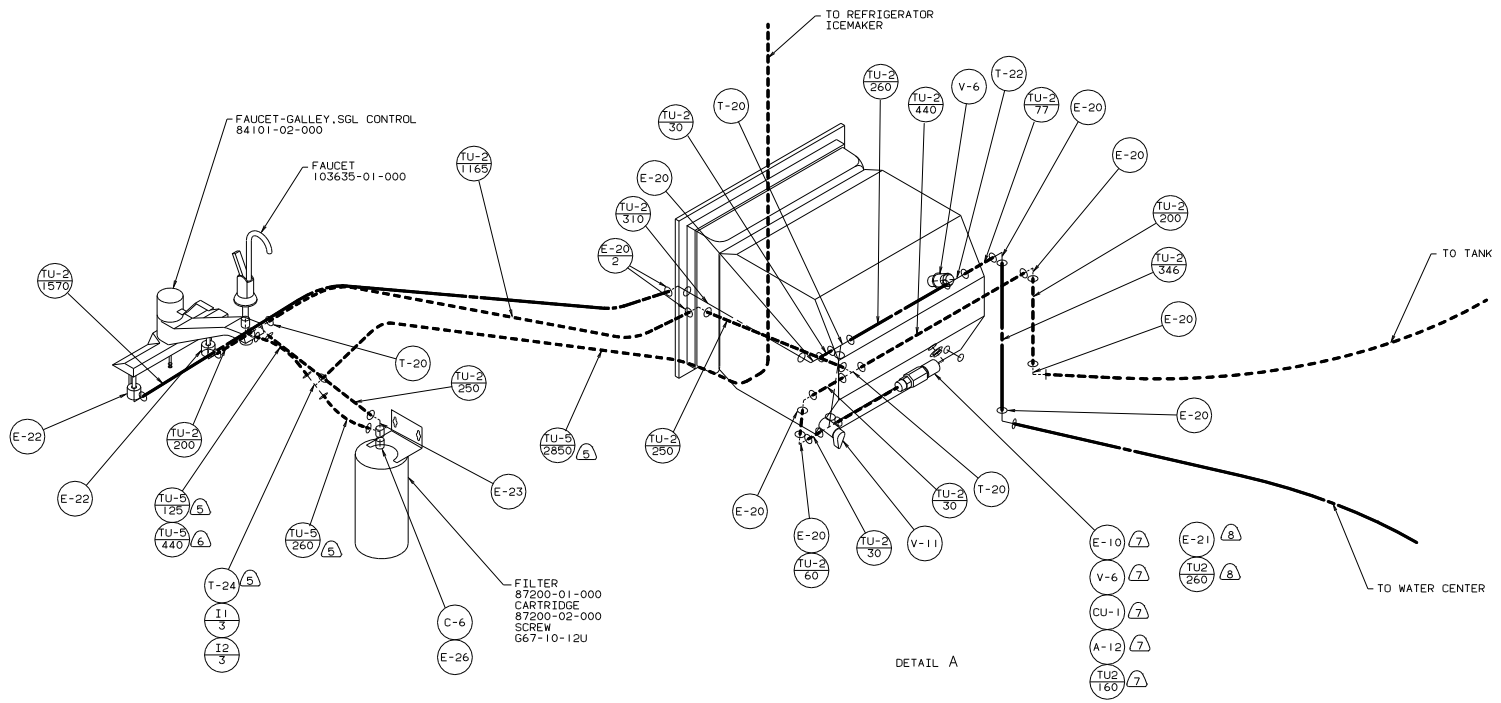
- Ⓐ USE WITHOUT ICE MAKER.
- Ⓑ USE WITH ICE MAKER.
- Ⓒ CLAMPS MUST BE ON BARBS.
- 3. ALL TUBING TO BE SECURED AT 1200 INTERVALS MAXIMUM WITH CLAMP 10495-01-000 OR CLIP 91951-01-000 AND SCREW G67-10-12B.
- 2. TUBING TO BE INSTALLED WITH SUFFICIENT SLOPE TO PROVIDE DRAINAGE TO NEAREST VALVE.
- 1. PLASTIC FITTINGS TO BE SEALED WITH SEALANT 84456-01-000.

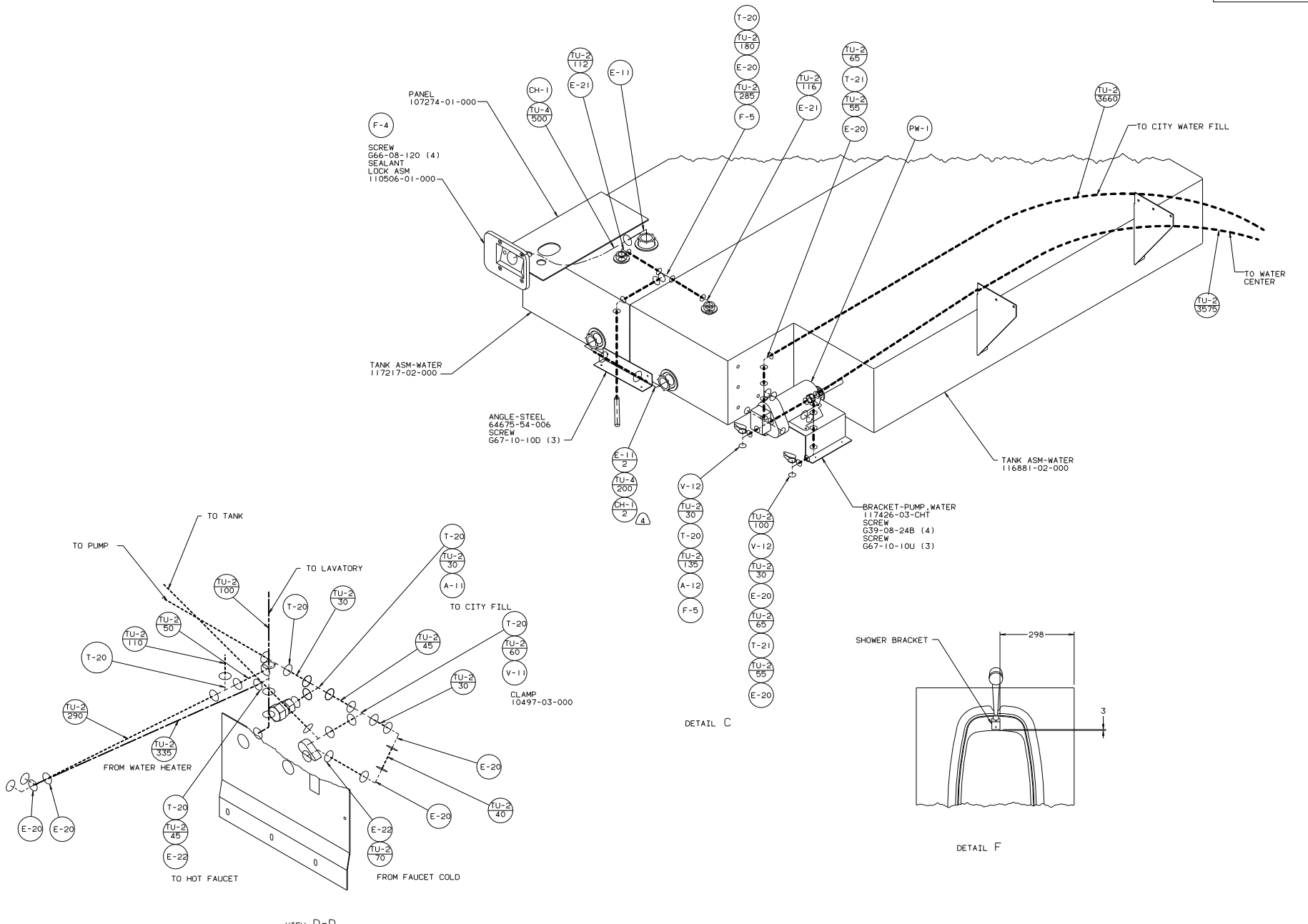
- Ⓓ USE WITHOUT MOTORAID.
- Ⓔ USE WITH MOTORAID.

FOR WATER CALLOUTS SEE DWG NO. 116230-01-000

LEGEND	
HOT	-----
COLD	-----

<b>WINNERAGO</b>		96 M34RO
OPTR	UNSPECIFIED TOLERANCES ARE:	MATERIAL
CHRP	WHOLE DIM (IN)	F
FWE	ONE-PLACE (IN.XI)	.
FWE	TWO-PLACE (IN.XXX)	.
FWE	ANGLE	.
CDPR	THIRD ANGLE PROJECTION	Ⓢ
LANRT NO. M34RO	TITLE: WATER SYSTEM INSTL	REV 1.0
DIA & SCALE: NONE	DO NOT SCALE DRAWING	SHEET 1 OF 3
ALL DIMENSIONS ARE IN MILLIMETERS		DATE 119510





VIEW D-D

DETAIL C

DETAIL F