

- SINK 110654-01-000 (US/CAN)
- RETAINER 105497-01-000 (2)
- 105497-02-000 (4)
- SCREW 667-06-100 (22)
- STRAINER W/BASKET 92303-01-000 (2)
- SEALER 69640-01-000

- BRACKET 112876-03-CHT
- SCREW 639-10-120 (3)

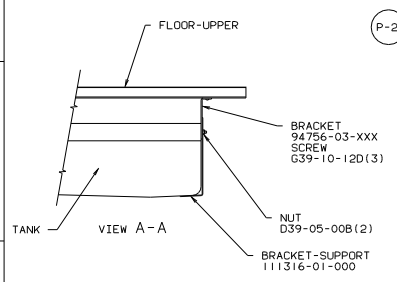
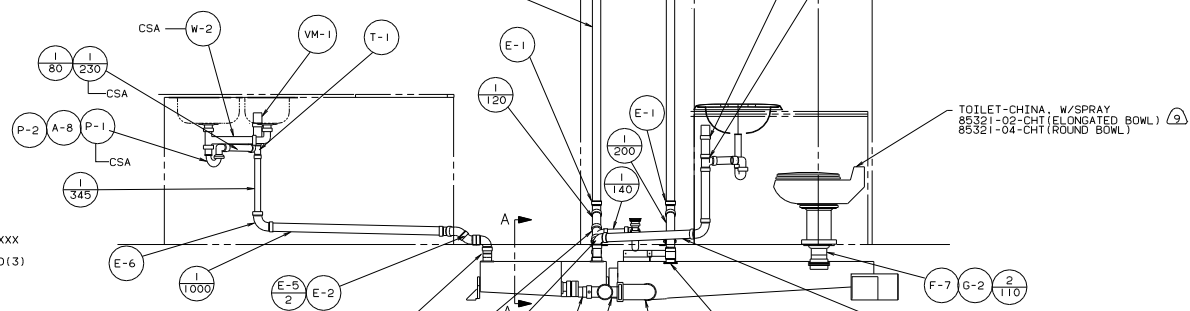
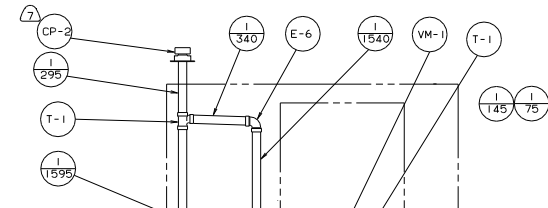
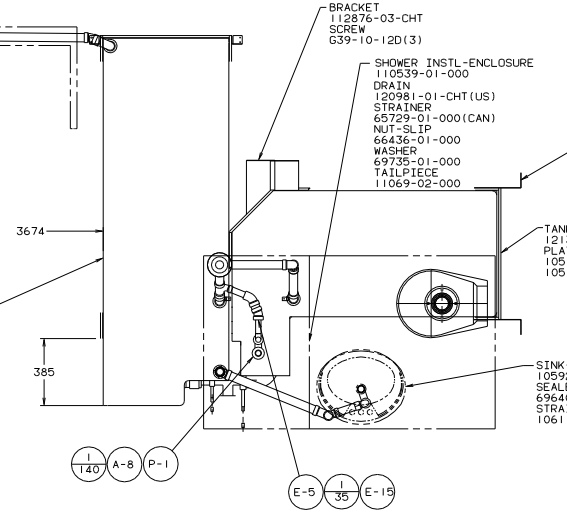
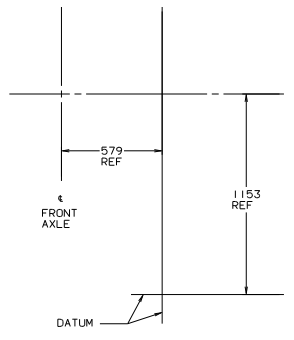
- SHOWER INSTL-ENCLOSURE 110539-01-000
- DRAIN 120981-01-CHT (US)
- STRAINER 65729-01-000 (CAN)
- NUT-SLIP 66436-01-000
- WASHER 69735-01-000
- TAILPIECE 11069-02-000

- BRACKET 94756-01-CHT (2)
- SCREW 639-10-120 (6)

- TANK-HOLDING 121386-02-000
- PLATFORM ASM-HOLDING TANK 105193-15-XXX
- 105193-14-XXX

- SINK-LAVATORY 105921-01-CHT
- SEALER 69640-01-000
- STRAINER 106116-01-CHT

- TANK-HOLDING 121386-02-000
- PLATFORM ASM-HOLDING TANK 105193-12-XXX
- 105193-13-XXX



- TOILET-CHINA, W/SPRAY 85321-02-CHT (ELONGATED BOWL) ②
- 85321-04-CHT (ROUND BOWL)

- CLAMP 62401-05-000
- BRACKET 95061-01-000
- SCREW 667-10-12B

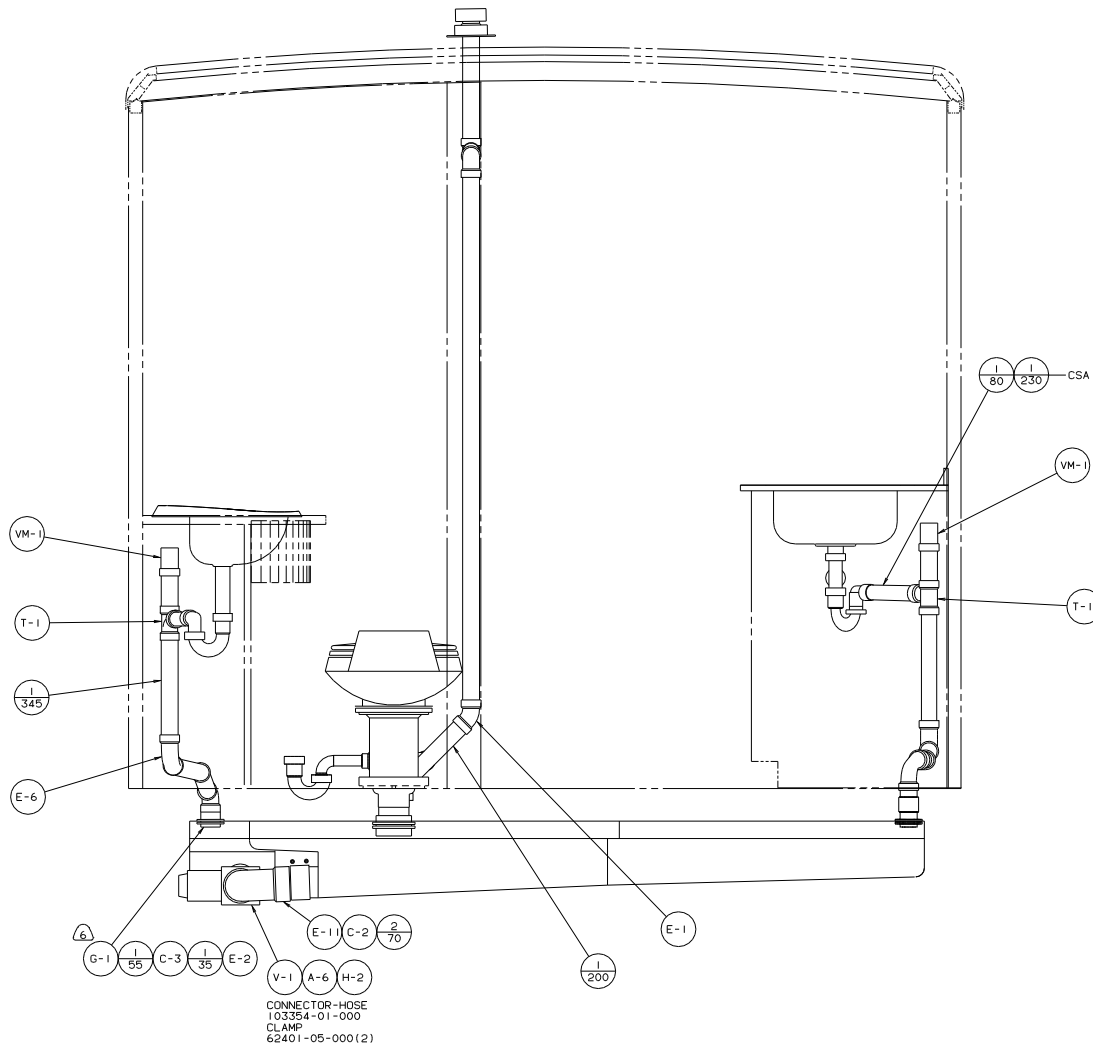
- CLAMP 62401-05-000
- BRACKET 95061-01-000
- SCREW 667-10-12B

- CONNECTOR-HOSE 103354-01-000
- CLAMP 62401-05-000 (2)

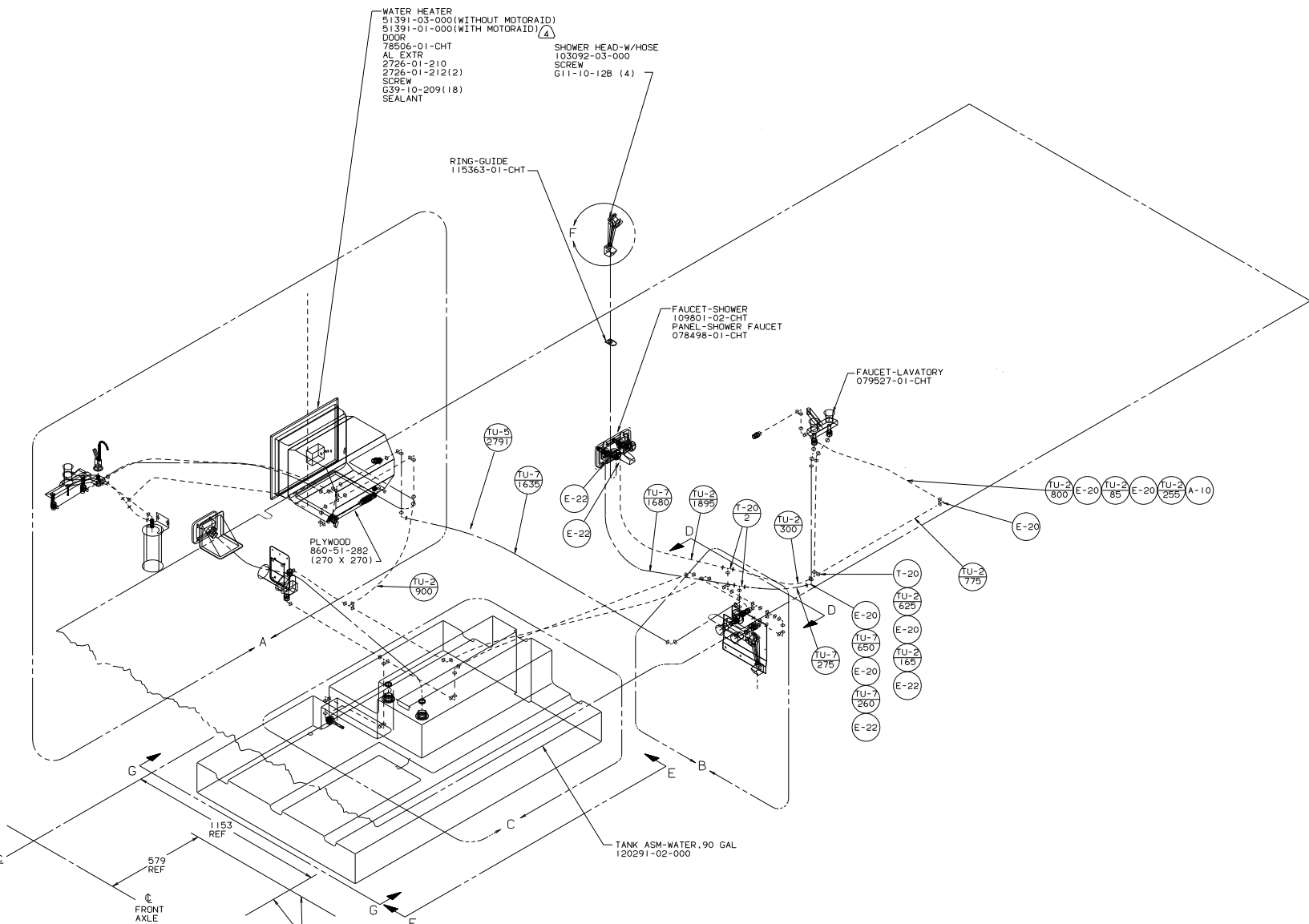
- ② ONLY AVAILABLE ON OSHKOSH CHASSIS.
- ③ SECURE VENT TUBES TO FLOOR.
- ④ VENT PIPE MUST BE PROJECTED 51 TO 64 MAXIMUM ABOVE ROOF FOR PROPER FIT AND FUNCTION.
- ⑤ SEE DRAWING 61607-01-000 FOR INSTALLATION OF GROMMET.
- 5. SEAL ALL AROUND SHOWER WITH SILICONE 78474-01-CHT.
- 4. FOR CANADIAN UNITS EACH HOLDING TANK SHALL HAVE A CSA APPROVAL STAMPED NEAR IAPMO APPROVAL.
- 3. ALL PIPE AND FITTINGS TO BE ASSEMBLED WITH SOLVENT 4020-01-000.
- 2. SLOPE OF TRAP MUST BE 6 PER 300 MINIMUM.
- 1. SLOPE OF HORIZONTAL PIPING TO BE 6 PER 300 MINIMUM.

(X-X) FOR DRAINAGE CALLOUTS SEE DWG NO. 116229-01-000

WINNEBAGO 96 MK34RD	
DATE: MK34RD	TITLE: DRAINAGE SYSTEM INSTL
REV: []	SCALE: NONE
BY: []	DRW: []
CHECKED: []	DATE: 119516
ALL DIMENSIONS ARE IN MILLIMETERS	SHEET 1 OF 2



VIEW B-B



- (4) USE WITHOUT ICE MAKER.
- (3) USE WITH ICE MAKER.
- (4) CLAMPS MUST BE ON BARBS.
- 3. ALL TUBING TO BE SECURED AT 1200 INTERVALS MAXIMUM WITH CLAMP 10495-01-000 OR CLIP 91951-01-000 AND SCREW G67-10-12B.
- 2. TUBING TO BE INSTALLED WITH SUFFICIENT SLOPE TO PROVIDE DRAINAGE TO NEAREST VALVE.
- 1. PLASTIC FITTINGS TO BE SEALED WITH SEALANT 84456-01-000.
- (8) USE WITHOUT MOTOR/RAID.
- (7) USE WITH MOTOR/RAID.

FOR WATER CALLOUTS SEE DWG NO. 116230-01-000

LEGEND

HOT - - - - -

COLD - - - - -

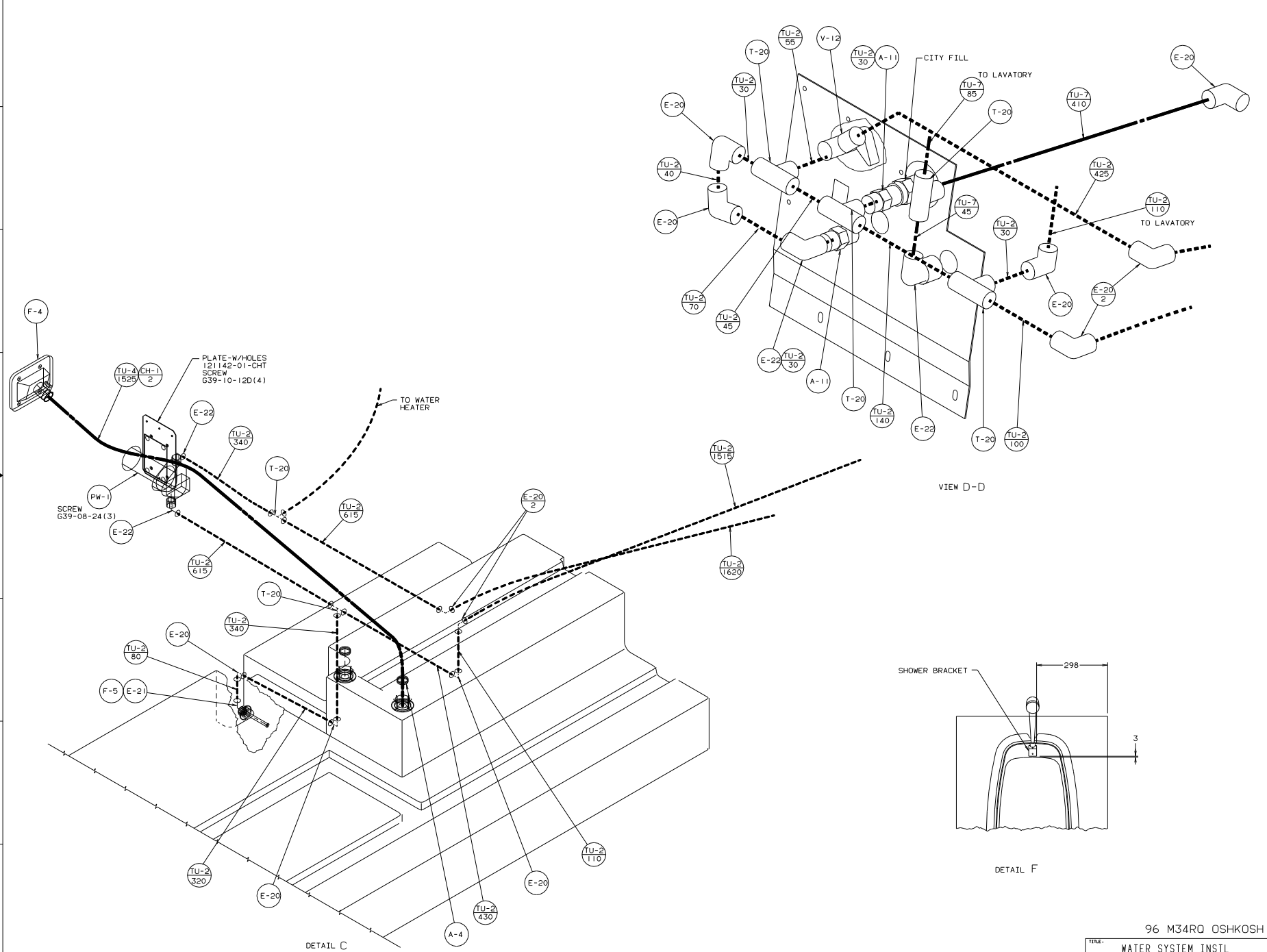
WINNEGAGO 96 M34R0 OSHKOSH

UNSPECIFIED TOLERANCES ARE: MATERIAL:
 HOLE DIA (IN) .1
 ONE-PLATE (IN) .1
 HOLE-PLATE (IN) .003
 ANGLE .005
 THROU ANGLE PROJECTION

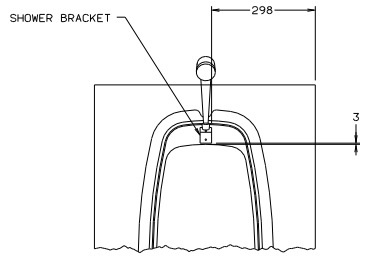
LANE NO: MK34R0 TITLE: WATER SYSTEM INSTL
 DIA # SCALE: NONE 30 NET SCALE DRAWING SHEET 1 OF 4
 ALL DIMENSIONS ARE IN MILLIMETERS

121037

REF: 119510 C I



VIEW D-D

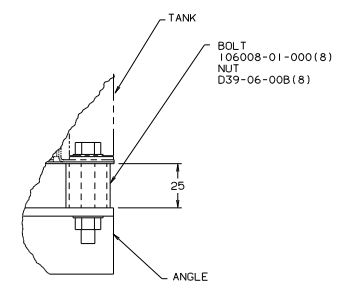
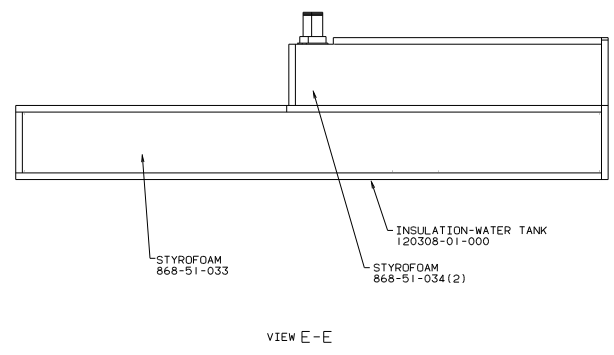
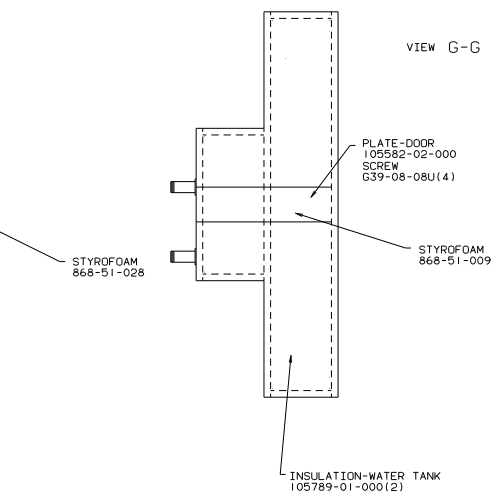
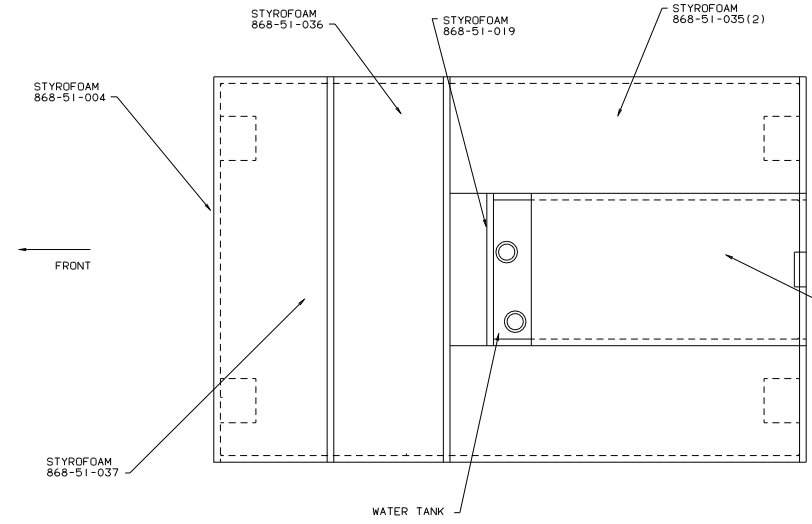
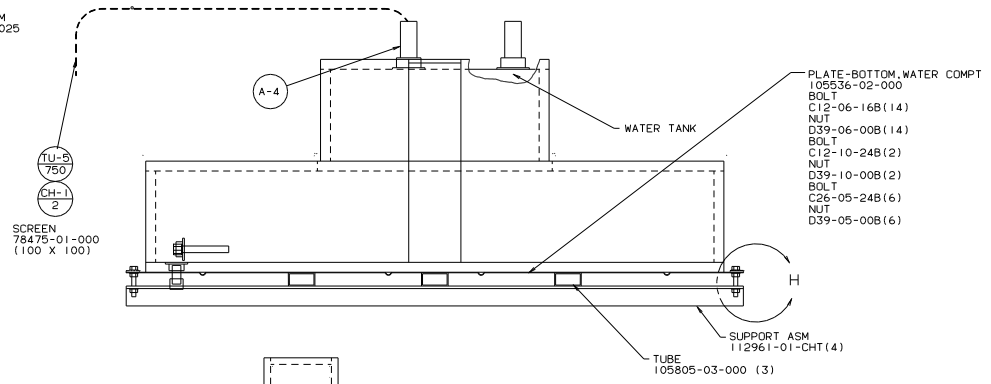
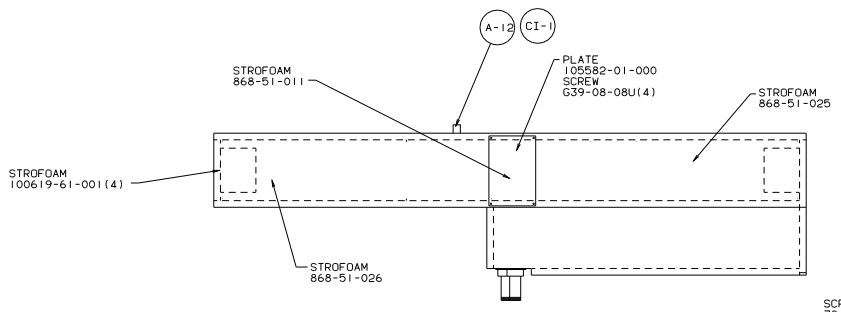


DETAIL F

DETAIL C

96 M34RQ OSHKOSH

TITLE: WATER SYSTEM INSTL		DWG NO: 121037	
30 MIL SCALE DRAWING	SIZE: 11E	SHEET: 3	OF 4



96 M34RO OSHKOSH

TITLE:	WATER SYSTEM INSTL	
30 NET SCALE DRAWING	SIZE	Doc NO
SHEET 4 of 4	1 E	121037