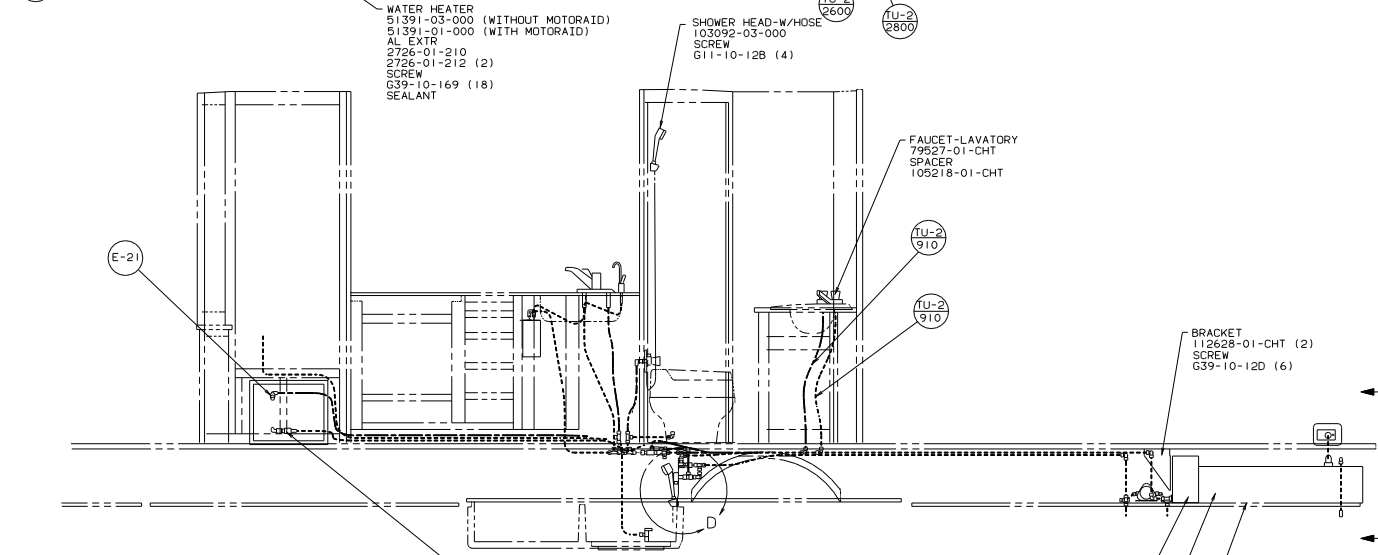
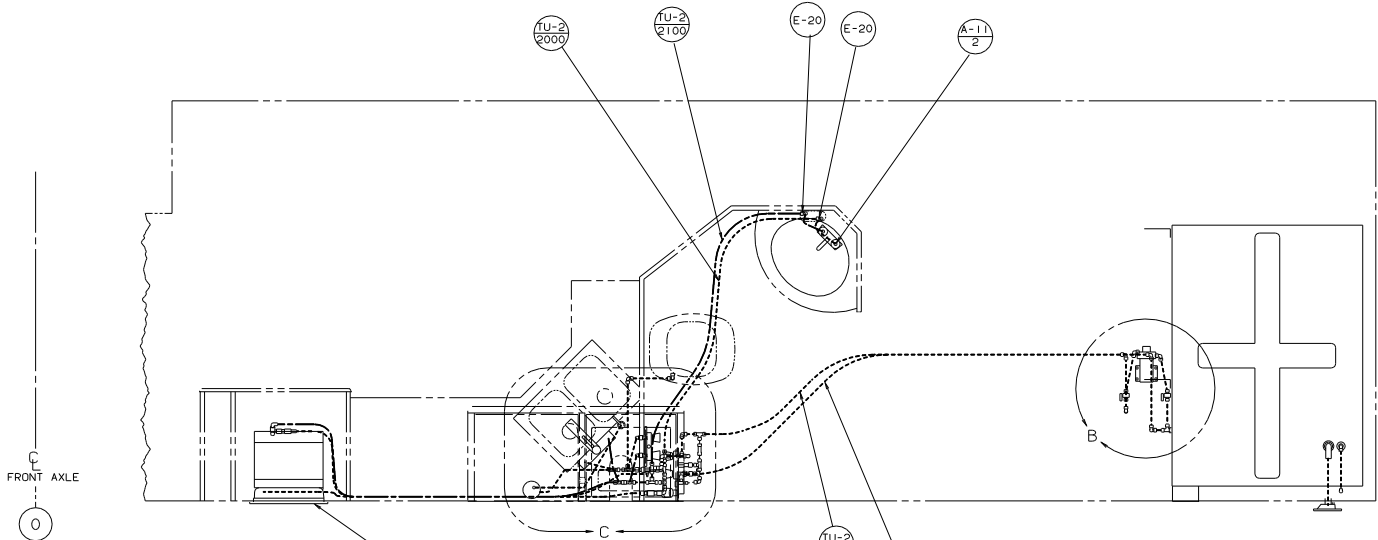


VIEW C-C



WATER HEATER
 51391-03-000 (WITHOUT MOTORAID)
 51391-01-000 (WITH MOTORAID)
 AL EXTR
 2726-01-210
 2726-01-212 (2)
 SCREW
 G39-10-169 (18)
 SEALANT

SHOWER HEAD-W/HOSE
 103092-03-000
 SCREW
 G11-10-12B (4)

FAUCET-LAVATORY
 79527-01-CHT
 SPACER
 105218-01-CHT

BRACKET
 112628-01-CHT (2)
 SCREW
 G39-10-12D (6)

BRACKET
 112629-01-CHT
 SCREW
 G39-10-20D (3)

PLATFORM-WATER TANK
 107279-01-000

TANK ASM-WATER
 109392-05-000

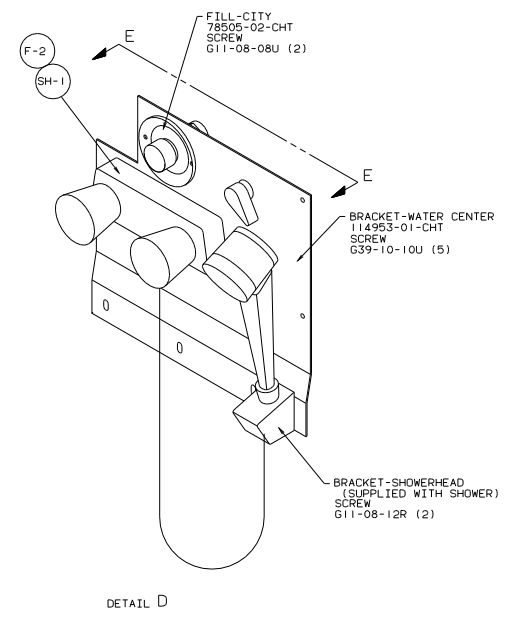
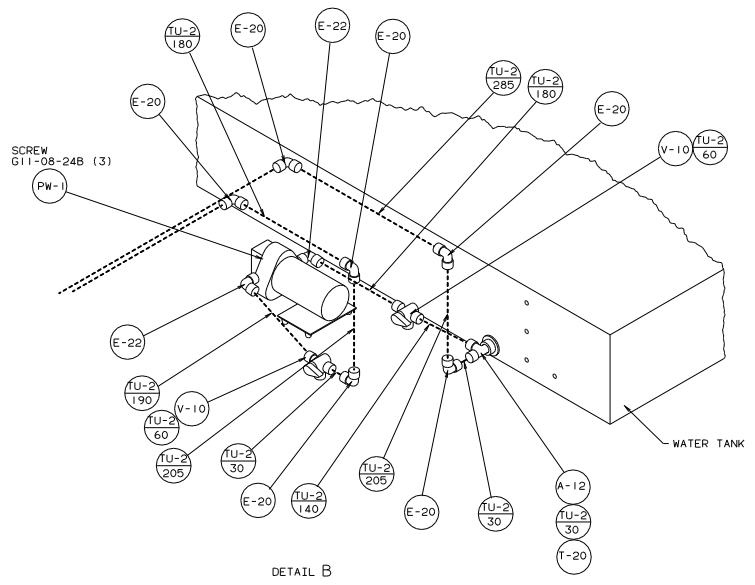
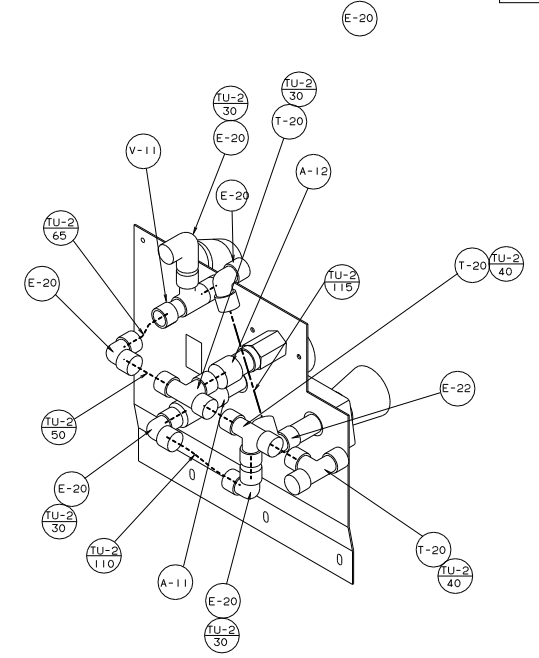
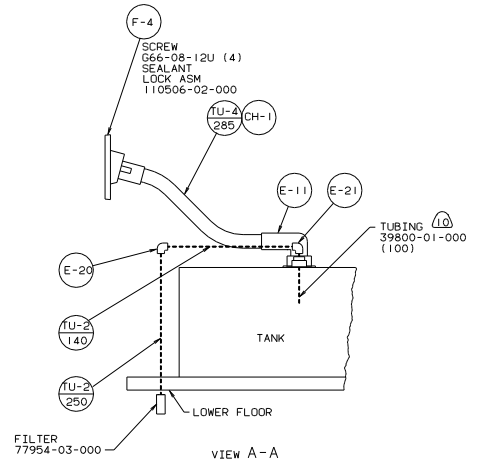
- ⑩ PRESS INTO FITTING AND THREAD IN TANK.
 - ⑨ USE WITH REFRIGERATOR ICEMAKER.
 - ⑧ USE WITHOUT REFRIGERATOR ICEMAKER.
 - ⑦ USE WITHOUT MOTOR AID.
 - ⑥ USE WITH MOTOR AID.
 - ⑤ USE WITHOUT EXTERIOR SHOWER.
 - ④ USE WITH EXTERIOR SHOWER.
- E-21 ⑦
 - E-10 ⑥
 - V-6 ⑥
 - CU-1 ⑥
 - A-12 ⑥

3. ALL TUBING TO BE SECURED AT 1200 INTERVALS MAX WITH CLAMP 10495-01-000 OR CLIP 91951-01-000 AND SCREW G67-10-12B.
2. TUBING TO BE INSTALLED WITH SUFFICIENT SLOPE TO PROVIDE DRAINAGE TO NEAREST VALVE.
1. PLASTIC FITTINGS TO BE SEALED WITH SEALANT 84456-01-000.

LEGEND	
HOT	—————
COLD	-----



WINNEAGO		95 M34RA
DATE	UNSPECIFIED TOLERANCES ARE:	MATERIAL
CHGR	WHOLE DIM (IN)	1/4
DR	ONE-PLACE (IN.XI)	.
FR	TWO-PLACE (IN.XXX)	.
FIN	THREE-PLACE (IN.XXXX)	.
CDR	THIRD-PLACE (IN.XXXXX)	.
	THIRD-PLACE (IN.XXXXX)	.
	THIRD-PLACE (IN.XXXXX)	.
	THIRD-PLACE (IN.XXXXX)	.
LANE#	M34RA5	TITLE: WATER SYSTEM INSTL
DWG #	SCALE: NONE	30 NET SCALE DRAWING
ALL DIMENSIONS ARE IN MILLIMETERS	SHEET 1 OF 3	115035
	REF: 109949	



TITLE		95 M34RA	
WATER SYSTEM INSTL			
30 MIL SCALE DRAWING	DATE	DESIGN	NO
SHEET 2 OF 3	1 E		115035

FAUCET-GALLEY, SGL CONTROL
84101-02-000

FAUCET
103635-01-000

FAUCET-SHOWER
109801-02-CHT

RING-GUIDE
115363-01-CHT

FILTER
87200-01-000
CARTRIDGE
87200-02-000
SCREW
G67-10-12U (2)

TO REFRIGERATOR
ICEMAKER

TO WATER
HEATER

CLAMP TO COMPT FLOOR USING
CLAMP
10495-02-000
SCREW
G67-08-06U

DETAIL C

TO LAVATORY SINK

TO EXTERIOR SHOWER

TO EXTERIOR SHOWER
AND WATER PUMP

TITLE: WATER SYSTEM INSTL	
30 MIL SCALE DRAWING	REV 1
SHEET 3 OF 3	DATE 115035

95 M34RA