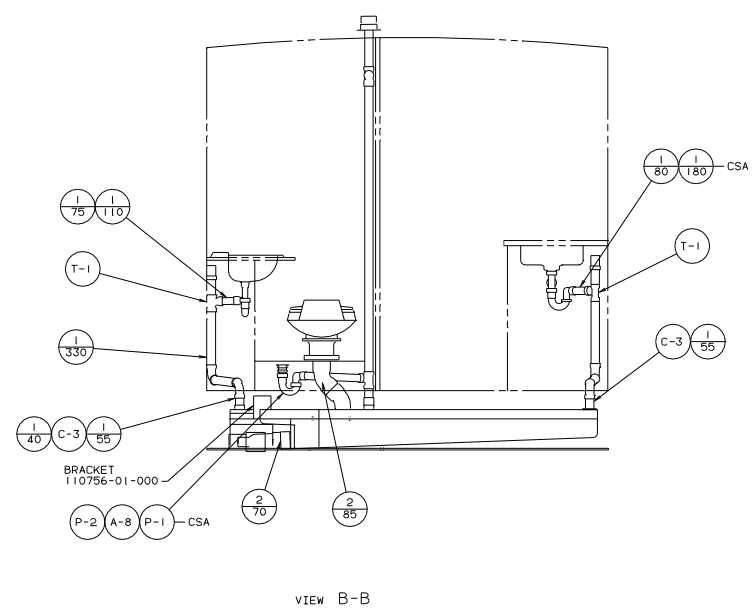


- ⑨ OPTIONAL TOILET.
- ⑧ SECURE VENT TUBES TO FLOOR.
- ⑦ VENT PIPE MUST BE PROJECTED 51 TO 64 MAXIMUM ABOVE ROOF FOR PROPER FIT AND FUNCTION.
- ⑥ SEE DRAWING 61607-01-000 FOR INSTALLATION OF GROMMET.
- 5. SEAL ALL AROUND SHOWER WITH SILICONE 78474-01-CHT.
- 4. FOR CANADIAN UNITS EACH HOLDING TANK SHALL HAVE A CSA APPROVAL STAMPED NEAR IAPMO APPROVAL.
- 3. ALL PIPE AND FITTINGS TO BE ASSEMBLED WITH SOLVENT 4020-01-000.
- 2. SLOPE OF TRAP MUST BE 6 PER 300 MINIMUM.
- 1. SLOPE OF HORIZONTAL PIPING TO BE 6 PER 300 MINIMUM.

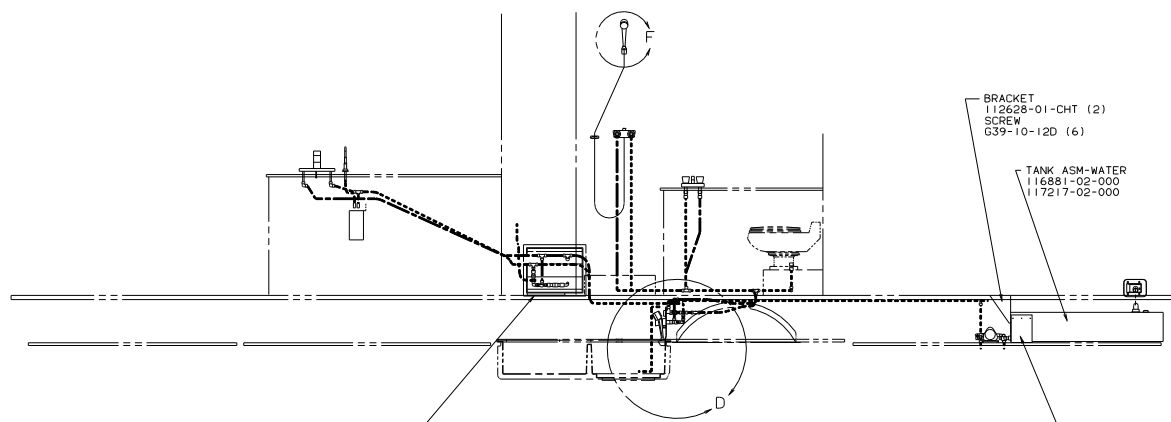
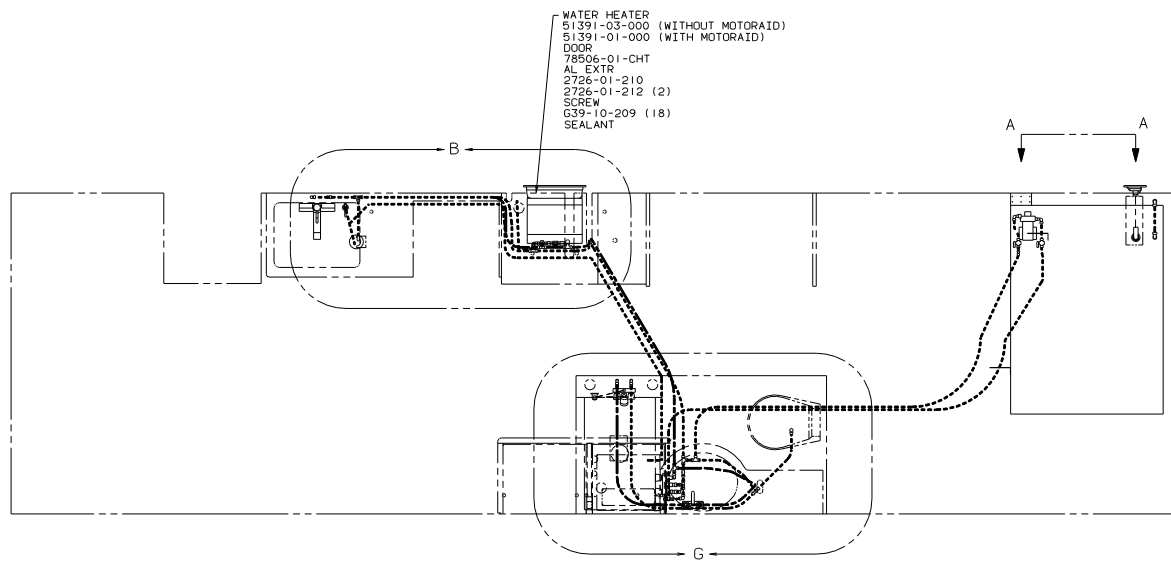
NOTES:

X-X FOR DRAINAGE CALLOUTS SEE DWG NO. 116229-01-000

WINNEMAGO		94 M33R0
LAYOUT NO. M34R03	TITLE: DRAINAGE SYSTEM INSTL	
DIA # SCALE NONE	30 MET SCALE DRAWING	FEET 1/8" NO
ALL DIMENSIONS ARE IN MILLIMETERS	SHEET 1 OF 2	111878



TITLE: DRAINAGE SYSTEM INSTL	
30 MET SCALE DRAWING	FIG. NO. 111878
SHEET 2 OF 2	DATE



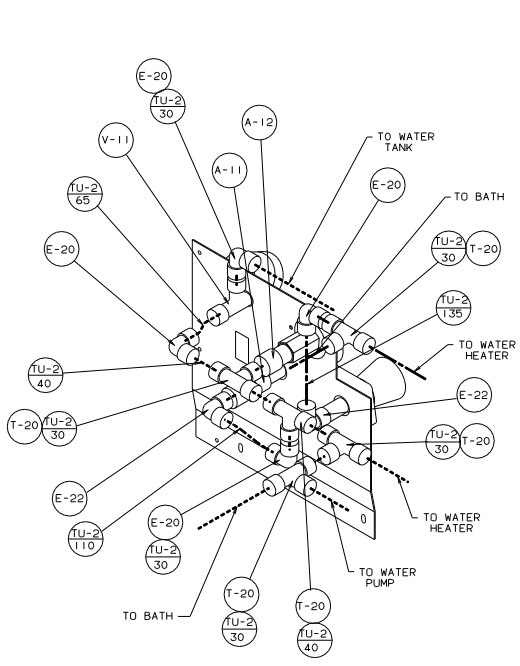
- ③ CLAMP MUST BE ON BARBS.
- ⑧ PRESS INTO FITTING AND THREAD INTO TANK.
- ⑦ USE WITHOUT MOTORAID.
- ⑥ USE WITH MOTORAID.
- ⑤ USE WITHOUT REFRIGERATOR ICEMAKER.
- ④ USE WITH REFRIGERATOR ICEMAKER.

3. ALL TUBING TO BE SECURED AT 1200 INTERVALS MAXIMUM WITH CLAMP 10495-01-000 OR CLIP 91951-01-000 AND SCREW G67-10-12B.
2. TUBING TO BE INSTALLED WITH SUFFICIENT SLOPE TO PROVIDE DRAINAGE TO NEAREST VALVE.
1. PLASTIC FITTINGS TO BE SEALED WITH SEALANT 84456-01-000.

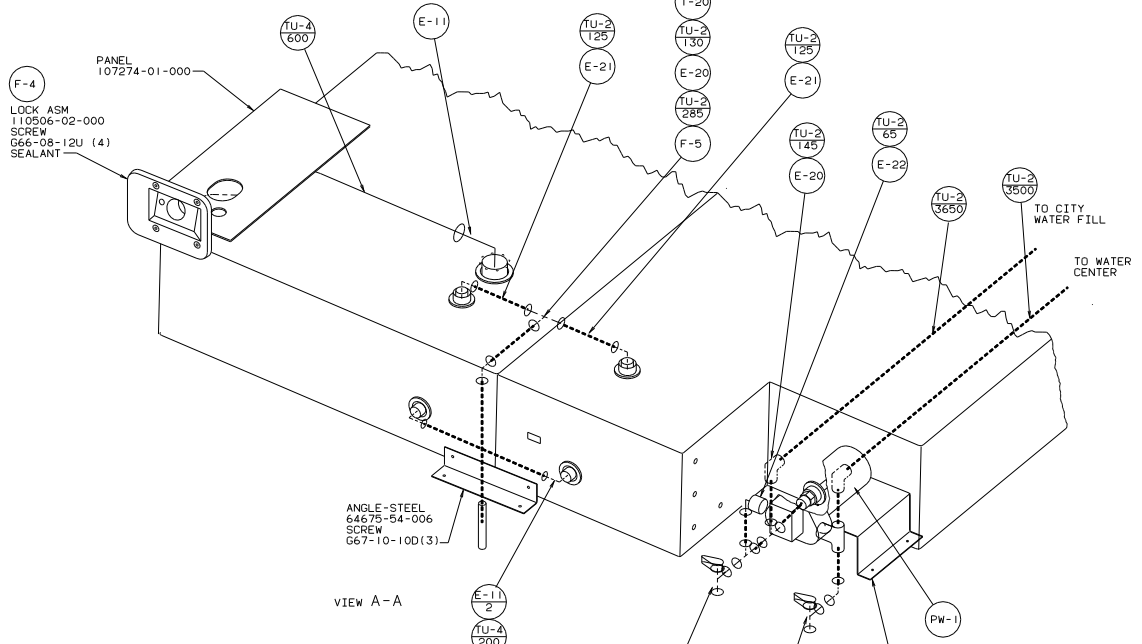
FOR WATER CALLOUTS SEE DWG NO. 116230-01-000

LEGEND	
HOT	-----
COLD	-----

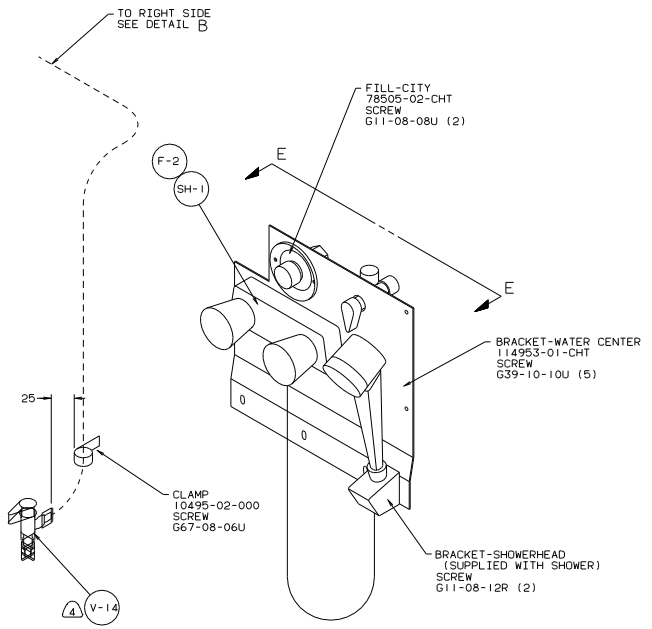
WINNEAGO		95 M33R0
QTY	UNSPECIFIED TOLERANCES ARE:	MATERIAL
CHRP	WHOLE DIM (IN)	F
F/F	ONE-PLACE (IN.XI)	.
F/E	TWO-PLACE (IN.XXX)	.
F/E	ANGLE	.
CDR	THIRD ANGLE PROJECTION	☺
LANRT NO. M33R05	TITLE: WATER SYSTEM INSTL	REV: 1
DIA #	SCALE: NONE	DO NOT SCALE DRAWING
ALL DIMENSIONS ARE IN MILLIMETERS	SHEET 1 OF 3	115034



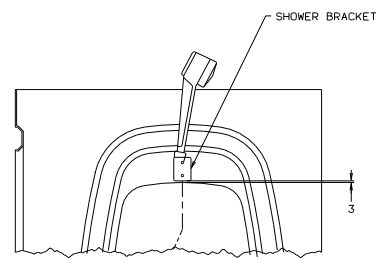
VIEW E-E



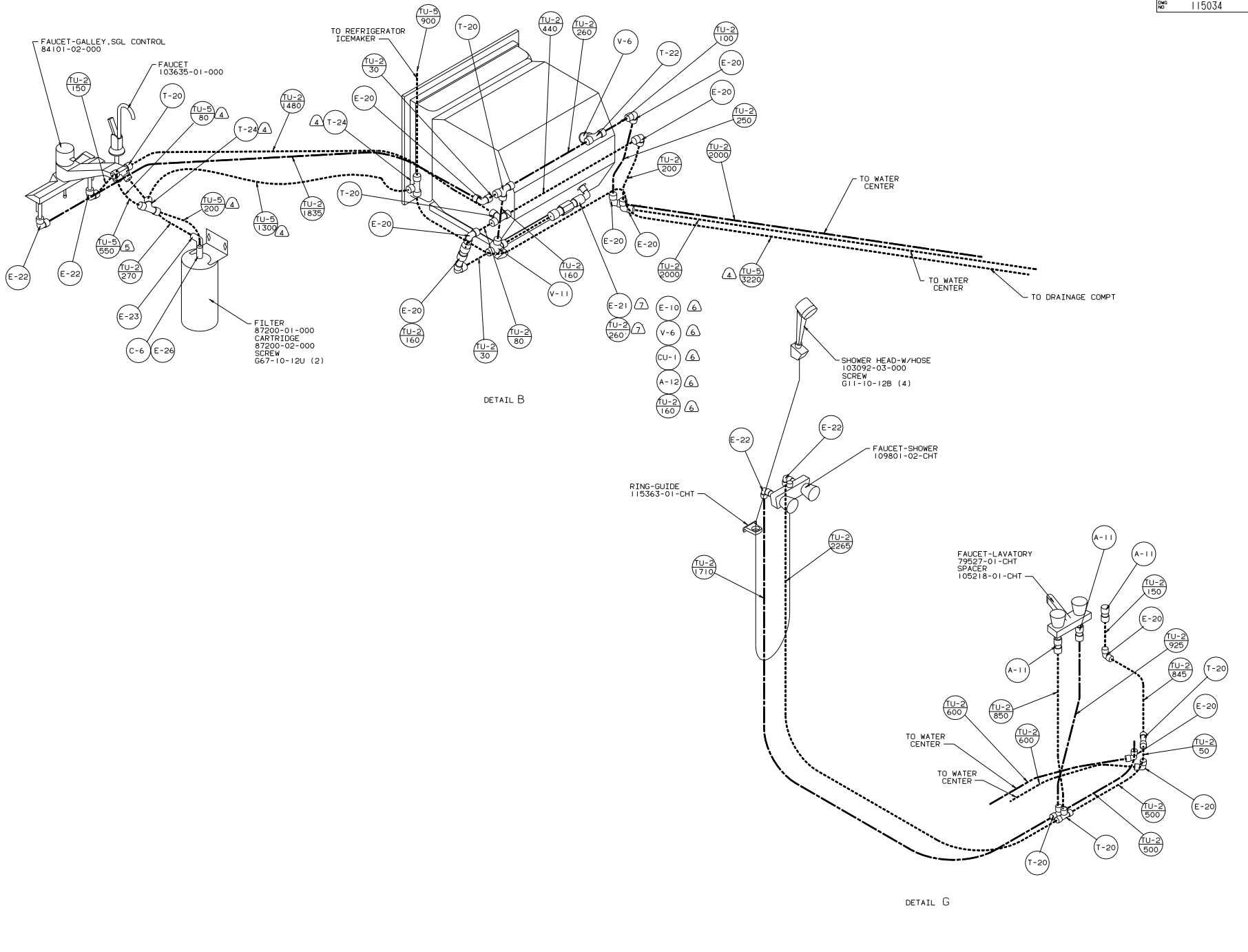
VIEW A-A



DETAIL D



DETAIL F



DETAIL B

DETAIL G

TITLE: WATER SYSTEM INSTL	
30 MIL SCALE DRAWING	DATE
SHEET 3 OF 3	1 E
DWG NO 115034	