

- SHOWER INSTL-ENCLOSURE  
110539-01-000
- DRAIN  
120981-01-CHT (US)
- STRAINER-TUB  
65729-01-000 (CAN)
- SEALER  
69640-01-000
- NUT  
66435-01-000
- NUT-SLIP  
66436-01-000
- WASHER  
69735-01-000
- TAILPIECE  
11069-02-000

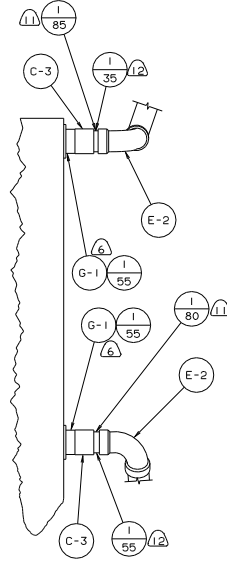
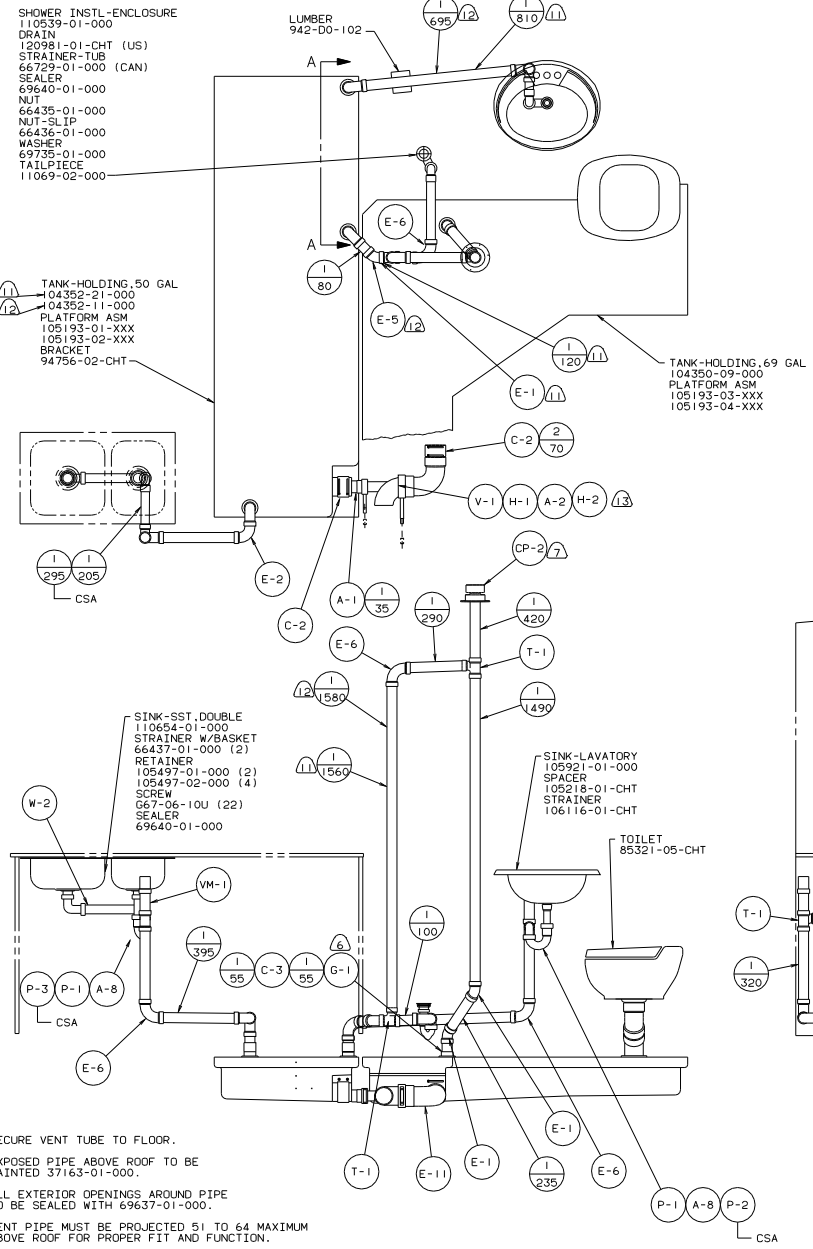
- TANK-HOLDING, 50 GAL  
104352-11-000
- PLATFORM ASM  
105193-01-XXX
- 105193-02-XXX
- BRACKET  
94756-02-CHT

- TANK-HOLDING, 69 GAL  
104350-09-000
- PLATFORM ASM  
105193-03-XXX
- 105193-04-XXX

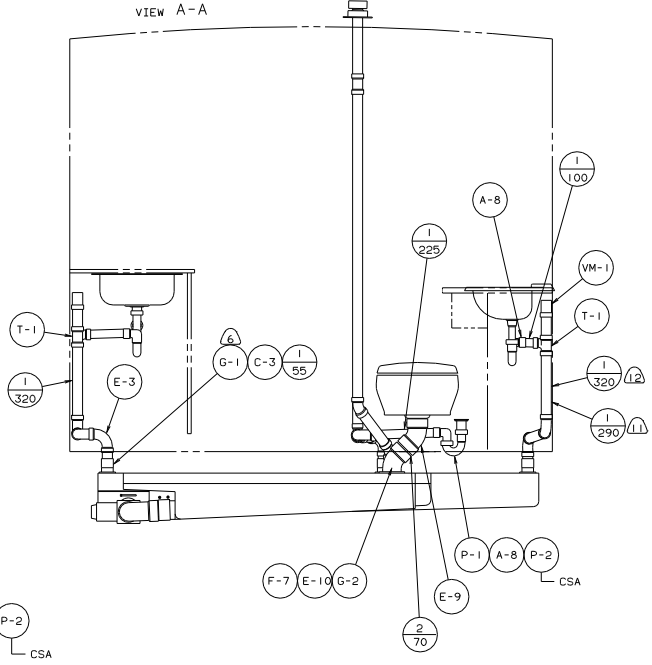
- SINK-SST, DOUBLE  
110654-01-000
- STRAINER W/BASKET  
66437-01-000 (2)
- RETAINER  
105497-01-000 (2)
- 105497-02-000 (4)
- SCREW  
067-06-10U (22)
- SEALER  
69640-01-000

- SINK-LAVATORY  
105921-01-000
- SPACER  
105218-01-CHT
- STRAINER  
106116-01-CHT

TOILET  
85321-05-CHT



VIEW A-A

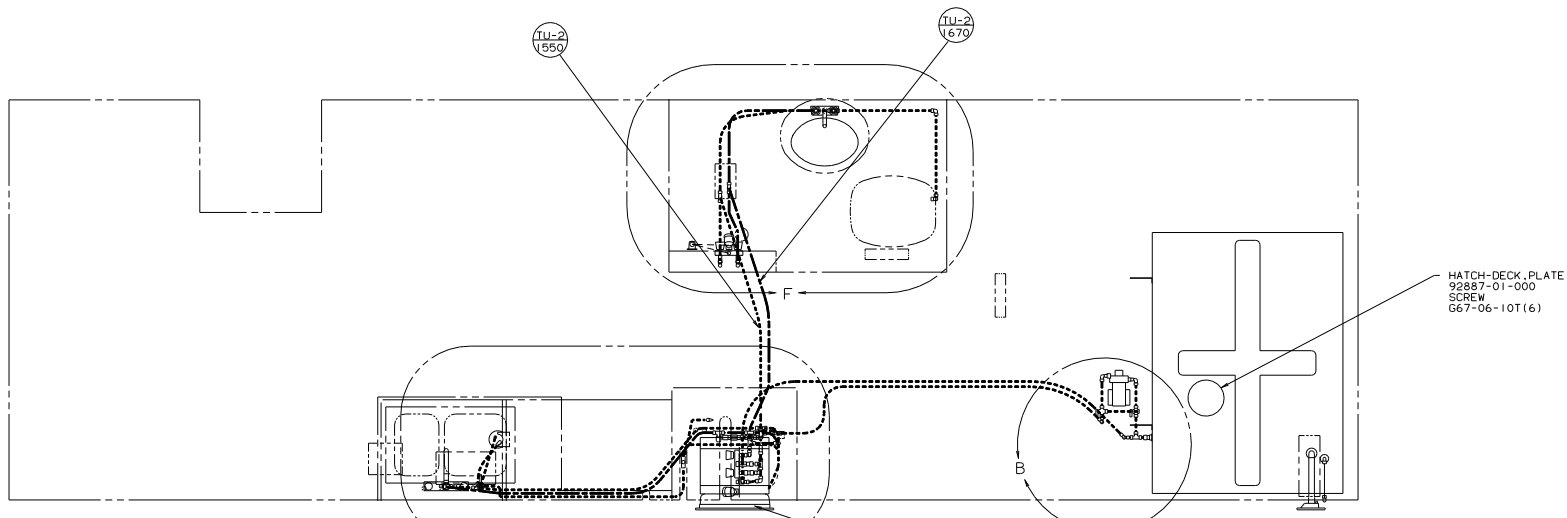


10. SECURE VENT TUBE TO FLOOR.
9. EXPOSED PIPE ABOVE ROOF TO BE PAINTED 37163-01-000.
8. ALL EXTERIOR OPENINGS AROUND PIPE TO BE SEALED WITH 69637-01-000.
7. VENT PIPE MUST BE PROJECTED 51 TO 64 MAXIMUM ABOVE ROOF FOR PROPER FIT AND FUNCTION.
6. SEE DRAWING 61607-01-000 FOR INSTALLATION OF GROMMET.
5. SEAL ALL AROUND SHOWER WITH SILICONE 78474-01-CHT.
4. FOR CANADIAN UNITS EACH HOLDING TANK SHALL HAVE A CSA APPROVAL STAMPED NEAR IAPMO APPROVAL.
3. ALL PIPE AND FITTINGS TO BE ASSEMBLED WITH SOLVENT 4020-01-000.
2. SLOPE OF TRAP MUST BE 6 PER 300 MINIMUM.
1. SLOPE OF HORIZONTAL PIPING TO BE 6 PER 300 MINIMUM.

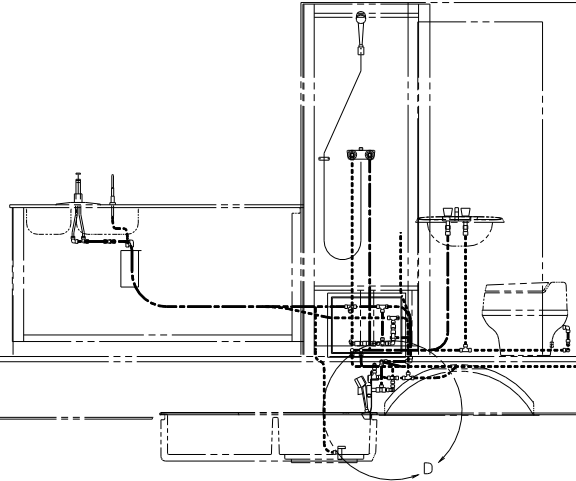
- ⑬ USE WITH JAPAN EXPORT PACKAGE.
- ⑫ NOT USED WITH WIE EXPORT PREP PACKAGE.
- ⑪ USE WITH WIE EXPORT PREP PACKAGE (NOT USED WITH TABLE AND CHAIRS).

(X-X) FOR DRAINAGE CALLOUTS SEE DWG NO. 116229-01-000

WINNEMAGO 94 M31R0	
DATE: M31R04	TITLE: DRAINAGE SYSTEM INSTL
REV: 1	BY: [Signature]
DATE: 110741	CHK: [Signature]
SCALE: NONE	UNIT: INCHES
SHEET: 1	OF: 1



- WATER HEATER  
 51391-03-000 (WITHOUT MOTORAID)  
 51391-01-000 (WITH MOTORAID)  
 111129-01-000 (A)
- DOOR  
 78506-01-CHT  
 GARNISH  
 2726-01-210  
 2726-01-212 (2)  
 SCREW  
 G39-10-169 (18)  
 SEALANT  
 69637-01-000



- BRACKET  
 112628-01-000  
 SCREW  
 G39-10-12D (6)
- TANK ASM-WATER  
 109392-03-000  
 109392-06-000 (A)
- PLATFORM ASM-WATER TANK  
 107279-01-000

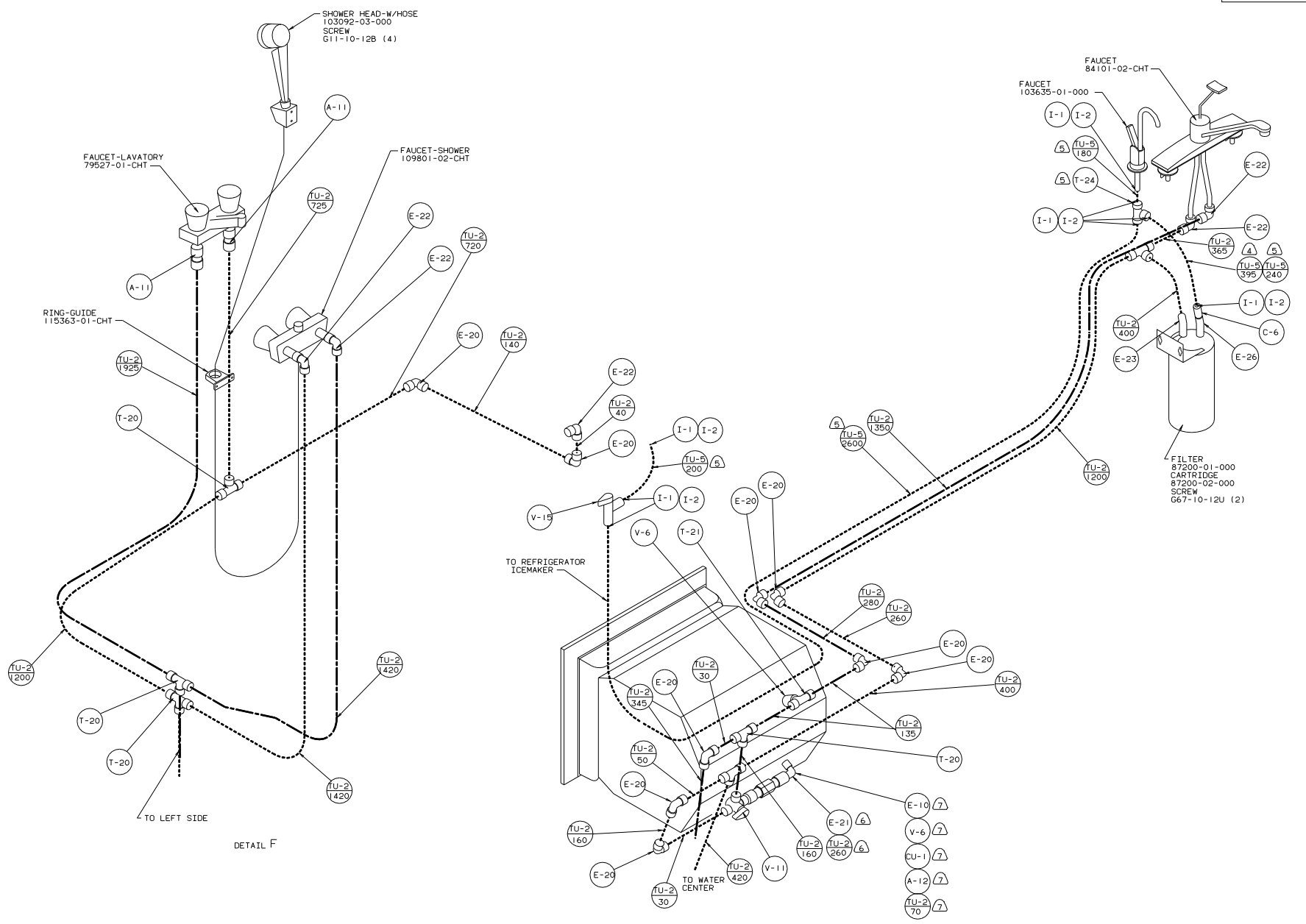
- FRONT AXLE
- (A) USE WITH W. I. E. EXPORT PREP PACKAGE.
  - (B) USE WITH MOTORAID.
  - (C) USE WITHOUT MOTORAID.
  - (D) USE WITH REFRIGERATOR ICEMAKER.
  - (E) USE WITHOUT REFRIGERATOR ICEMAKER.
3. ALL TUBING TO BE SECURED AT 1200 INTERVALS MAXIMUM WITH CLAMP 10495-01-000 AND SCREW G67-10-12B.
2. TUBING TO BE INSTALLED WITH SUFFICIENT SLOPE TO PROVIDE DRAINAGE TO NEAREST VALVE.
1. PLASTIC FITTINGS TO BE SEALED WITH SEALANT 84456-01-000.

(X-X) FOR WATER CALLOUTS SEE DWG NO. 116230-01-000

LEGEND	
HOT	-----
COLD	-----

WINNEBAGO		95 M31R0
QTY	UNSPECIFIED TOLERANCES ARE:	MATERIAL
CHRP	WHOLE DIM (IN)	F.F.
F.F.E	ONE-PLACE (IN, IN)	F.F.
F.F.E	TWO-PLACE (IN, IN)	F.F.
CDR	THIRD ANGLE PROJECTION	F.F.
LANE#	M31R05	TITLE: WATER SYSTEM INSTL
DWG #	SCALE: NONE	DO NOT SCALE DRAWING
ALL DIMENSIONS ARE IN MILLIMETERS	SHEET 1 OF 4	115033



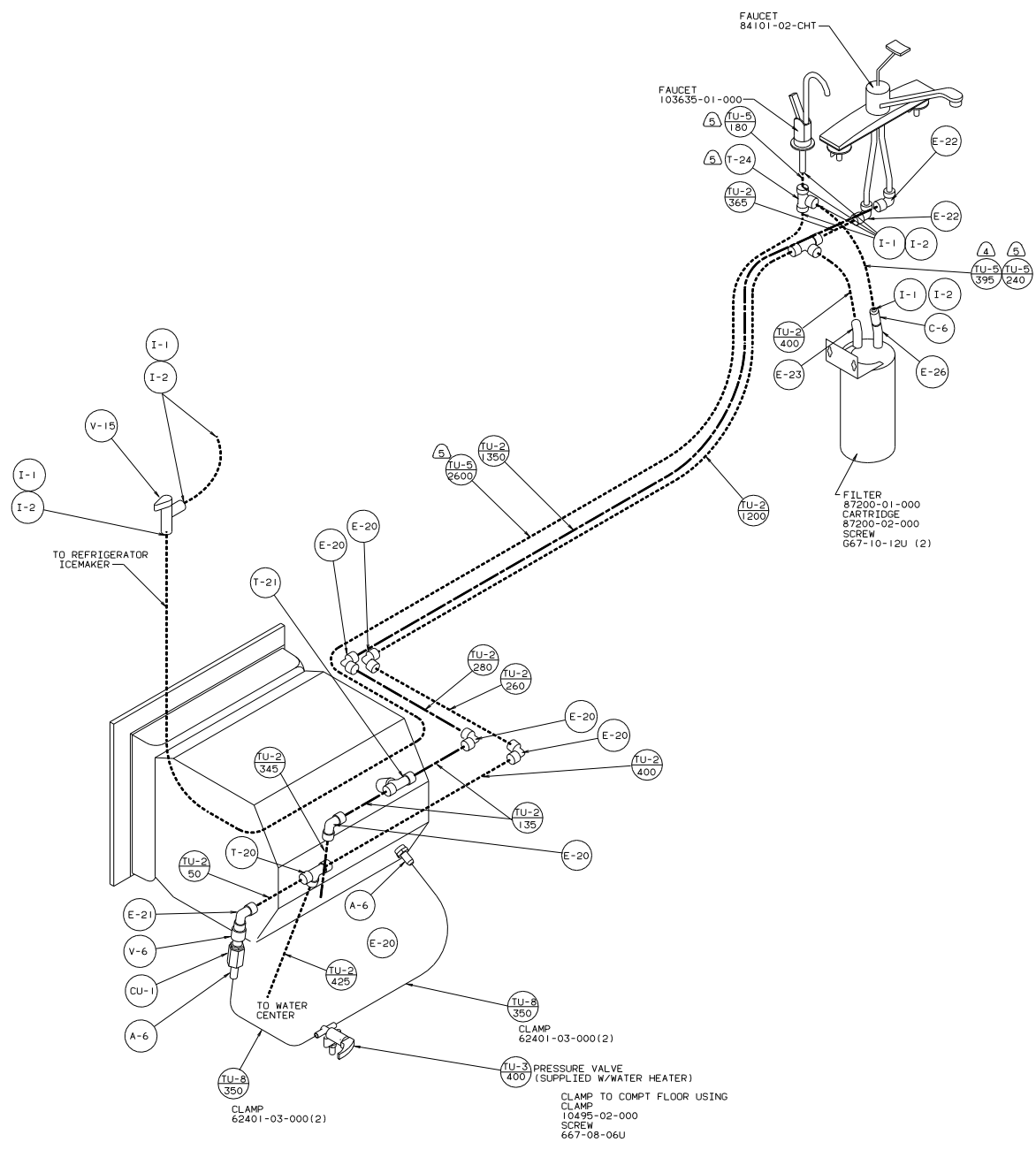


DETAIL F

DETAIL C

95 M31RQ

TITLE: WATER SYSTEM INSTL	
30 NET SCALE DRAWING	SIZE 1/4" = 1'-0"
SHEET 3 OF 4	DWG NO 115033



DETAIL C WITH W.I.E. EXPORT PREP PACKAGE

95 M31RQ

TITLE: WATER SYSTEM INSTL	
30 MIL SCALE DRAWING	DATE
SHEET 4 OF 4	115033