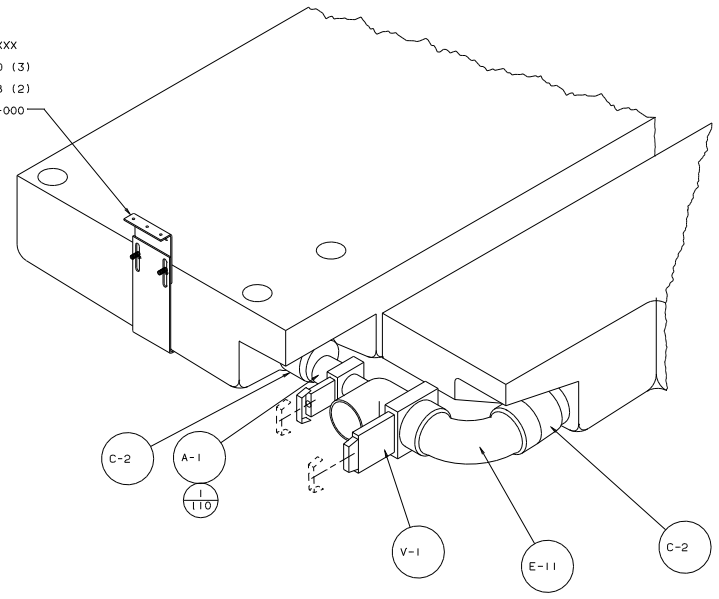
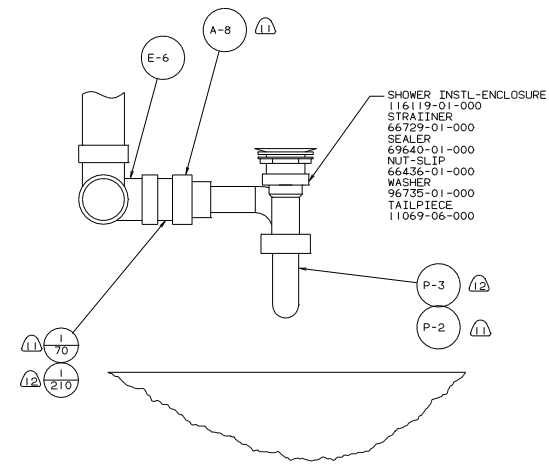


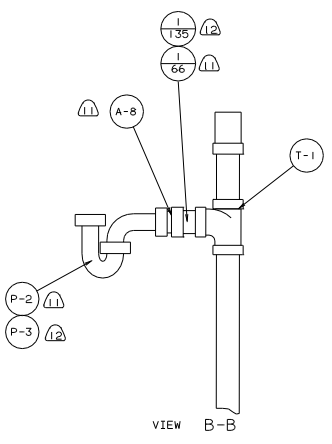
- BRACKET
94756-03-XXX
- SCREW
G39-10-12D (3)
- NUT
G39-05-00B (2)
- BRACKET
111316-01-000



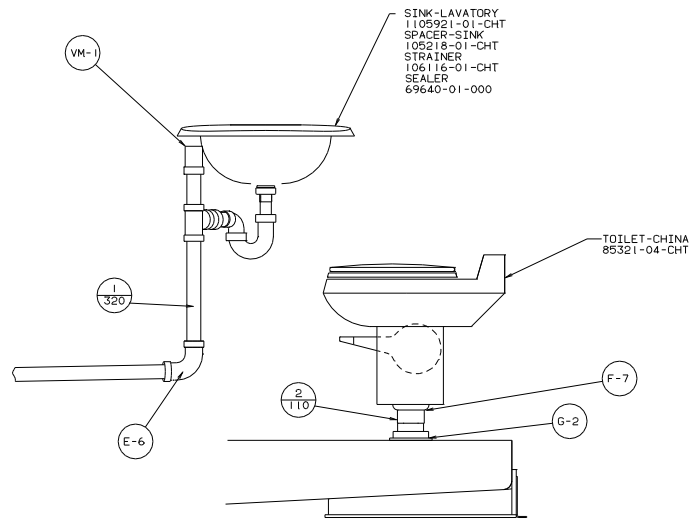
VIEW A-A



VIEW C-C



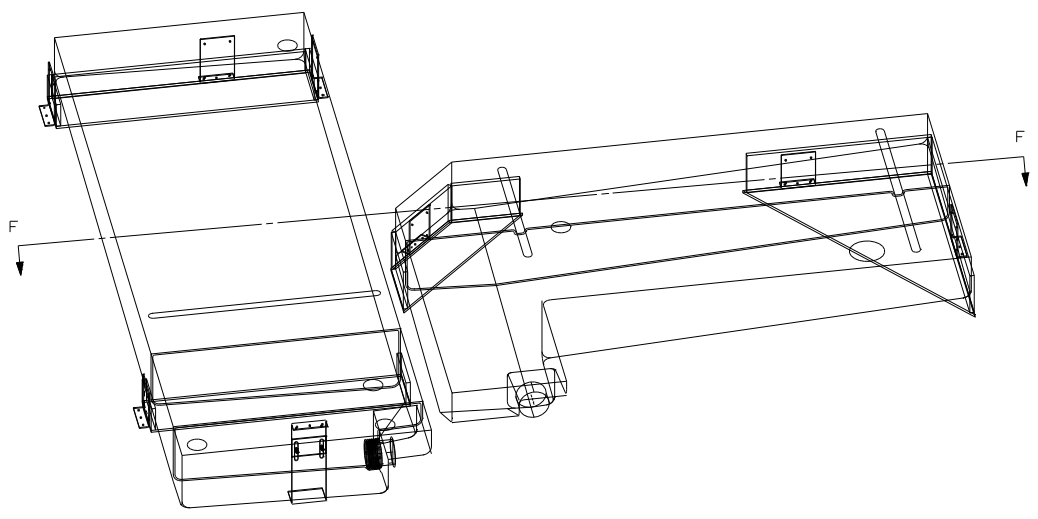
VIEW B-B



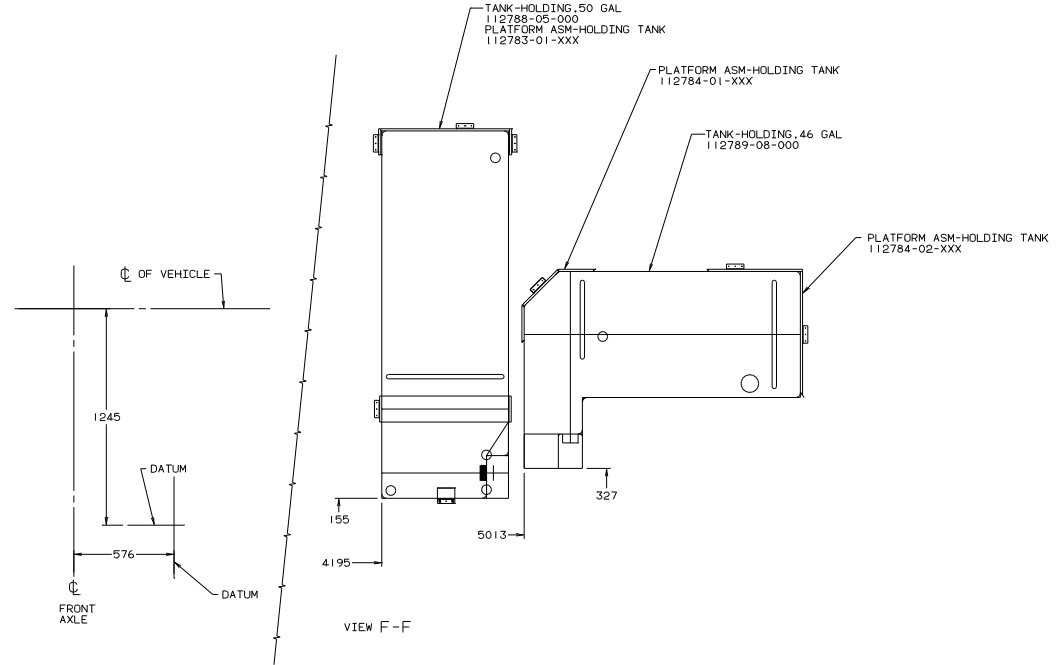
VIEW D-D

96 G36WQ,PUSH

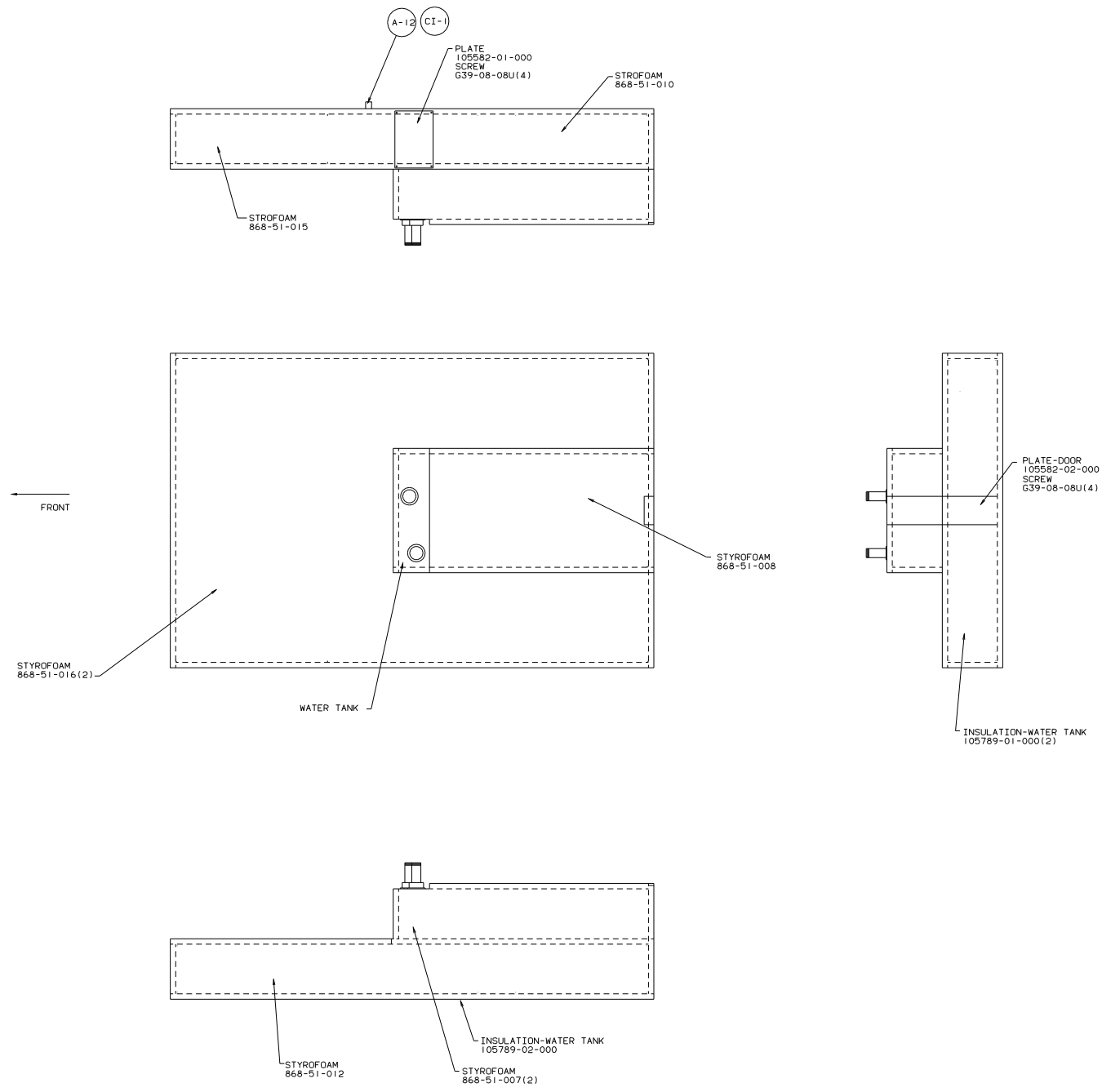
TITLE: DRAINAGE SYSTEM INSTL	
30 NET SCALE DRAWING	FILE NO: 119103
SHEET 2 OF 3	DATE



DETAIL E

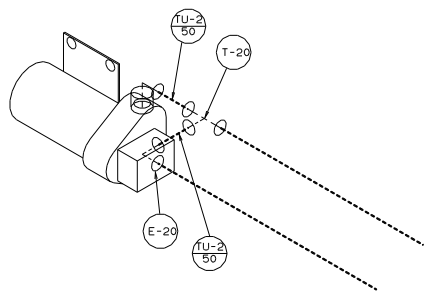


TITLE: DRAINAGE SYSTEM INSTL	
30 NET SCALE DRAWING	FILE NO 119103
SHEET 3 OF 3	DATE

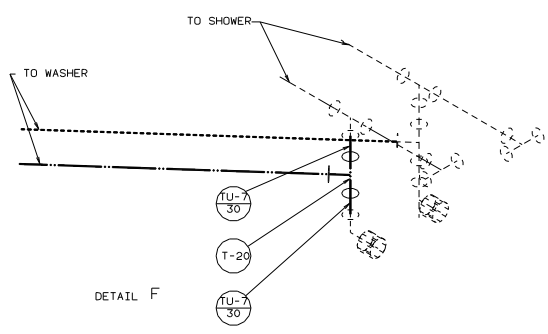


96 G36WQ, PUSH

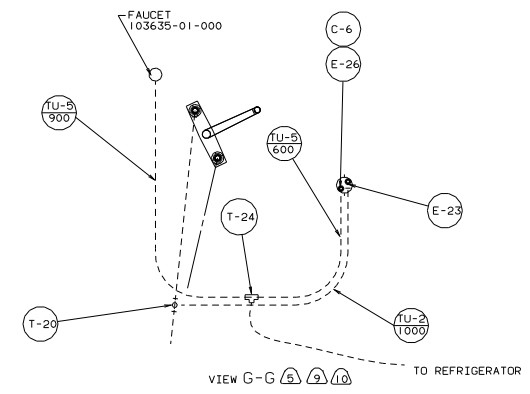
TITLE: WATER SYSTEM INSTL	
30 NET SCALE DRAWING	1/4" = 1'-0"
SHEET 3 OF 4	DWG NO 119284



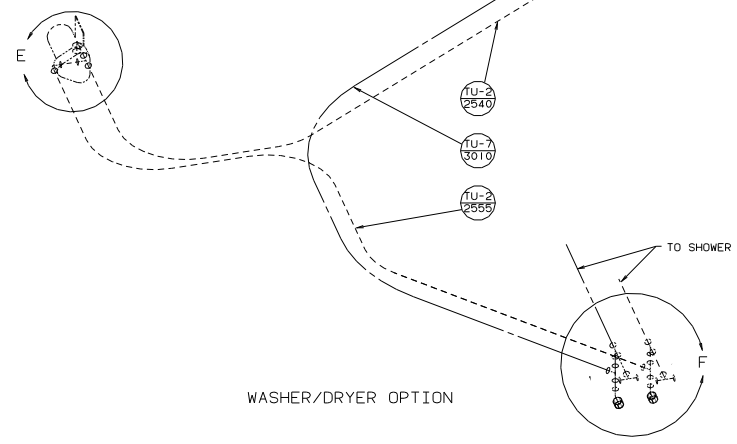
DETAIL E



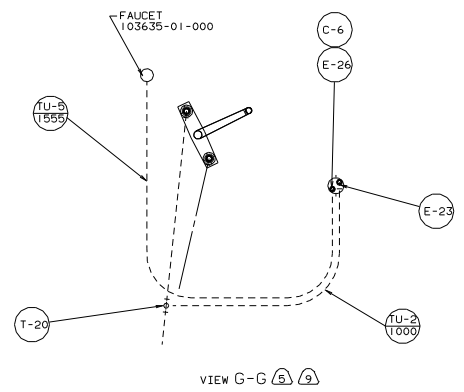
DETAIL F



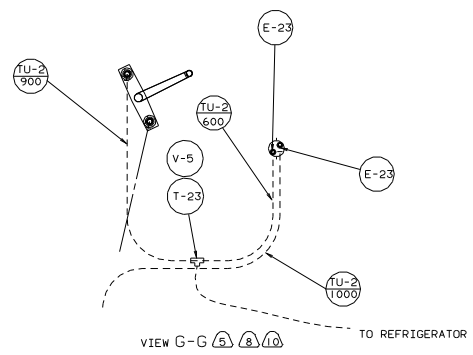
VIEW G-G (5) (9) (10) TO REFRIGERATOR



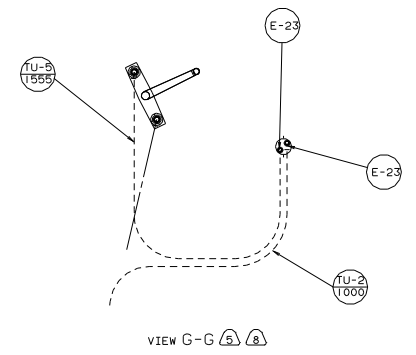
WASHER/DRYER OPTION



VIEW G-G (5) (9)



VIEW G-G (5) (8) (10) TO REFRIGERATOR



VIEW G-G (5) (8)