

TANK-HOLDING, 50 GAL  
 104352-14-000  
 PLATFORM ASM-HOLDING TANK  
 105193-01-000  
 105193-02-000

SINK-SST, DOUBLE  
 110654-01-000 (US/CAN)  
 STRAINER  
 92303-01-000 (2)  
 SEAL  
 69640-01-000  
 RETAINER  
 105497-01-000 (2)  
 105497-02-000 (4)  
 SCREW  
 G67-06-10U (22)

TANK-HOLDING, 46 GALLON  
 112789-03-000  
 PLATFORM ASM-HOLDING TANK  
 112784-01-XXX  
 112784-02-XXX

BRACKET  
 95061-01-000 (10)  
 SCREW  
 G67-10-12B  
 G-1 C-3 55 40

BRACKET  
 95061-01-000 (10)  
 SCREW  
 G67-10-12B  
 G-1 C-3 55 40

BRACKET  
 95061-01-000 (2) (10)  
 SCREW  
 G67-10-12B (2)  
 CLAMP  
 62401-02-000  
 C-3 G-1 55

BRACKET (10)  
 95061-01-000 (2)  
 SCREW  
 G67-10-12B (2)  
 CLAMP  
 62401-02-000  
 C-3 40 50 6-1

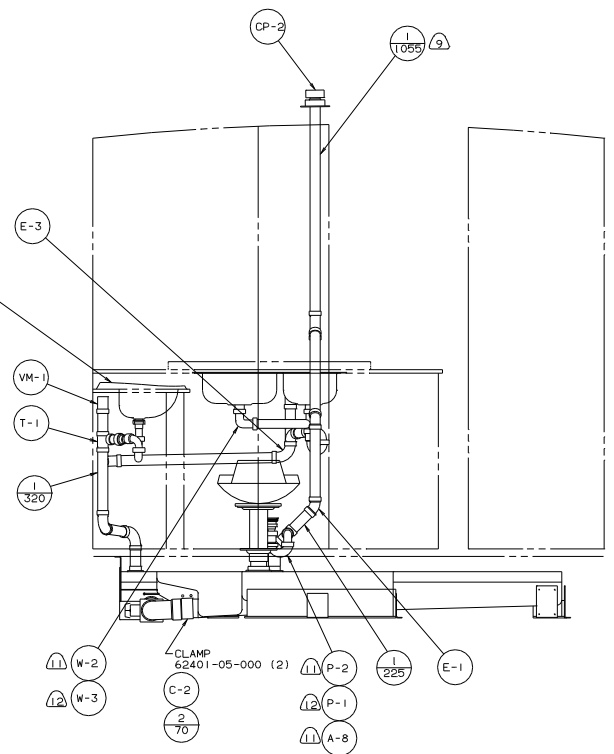
BRACKET  
 94756-03-XXX  
 SCREW  
 G39-10-12D (3)  
 NUT  
 D39-05-00B (2)  
 BRACKET  
 111316-01-000

FOR DRAINAGE CALLOUTS SEE DWG NO. 116229-01-000

- (12) CSA ONLY.
- (11) US ONLY.
- (10) SECURE VENT TUBES TO FLOOR WITH BRACKET.
- (9) VENT PIPE MUST PROJECT 51 MM MIN AND 63.5 MM MAX ABOVE ROOF FOR PROPER FIT AND FUNCTION.
- 8. SEE DWG 61607-01-000 FOR INSTL OF GROMMETS.
- 7. SEAL ALL AROUND SHOWER WITH SILICONE.
- 6. FOR CAN UNITS EACH HOLDING TANK SHALL HAVE A CSA APPROVAL STAMPED NEAR THE IAMPO APPROVAL.
- 5. EXPOSED PIPE ABOVE ROOF TO BE PAINTED 37163-01-000.
- 4. ALL EXTERIOR OPENINGS AROUND PIPE TO BE SEALED WITH 110744-01-000.
- 3. ALL PIPE AND FITTINGS TO BE ASSEMBLED WITH SOLVENT 4020-01-000.
- 2. SLOPE OF TRAP ARM MUST BE 6 PER 305.
- 1. SLOPE OF HORIZONTAL PIPING TO BE 6 PER 305 MIN.

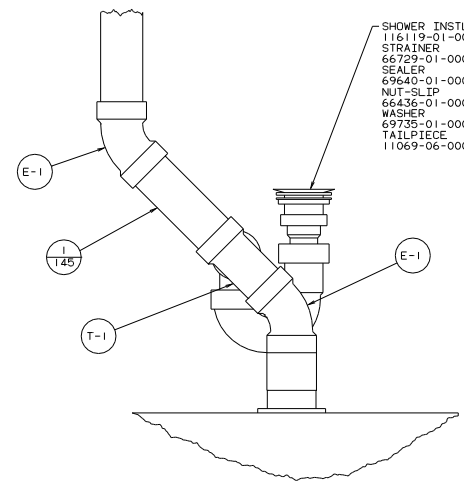
LAWN: GW3405		TITLE: DRAINAGE SYSTEM INSTL	
REV: 1	SCALE: NONE	DO NOT SCALE DRAWING	FILE NO: 116010
ALL DIMENSIONS ARE IN MILLIMETERS		SHEET 1 OF 2	
DRAWN BY: [Signature]		DATE: 11/16/10	

SINK-LAVATORY  
105921-01-CHT  
SPACER-SINK  
105218-01-CHT  
STRAINER  
106116-01-CHT  
SEALER  
69640-01-000

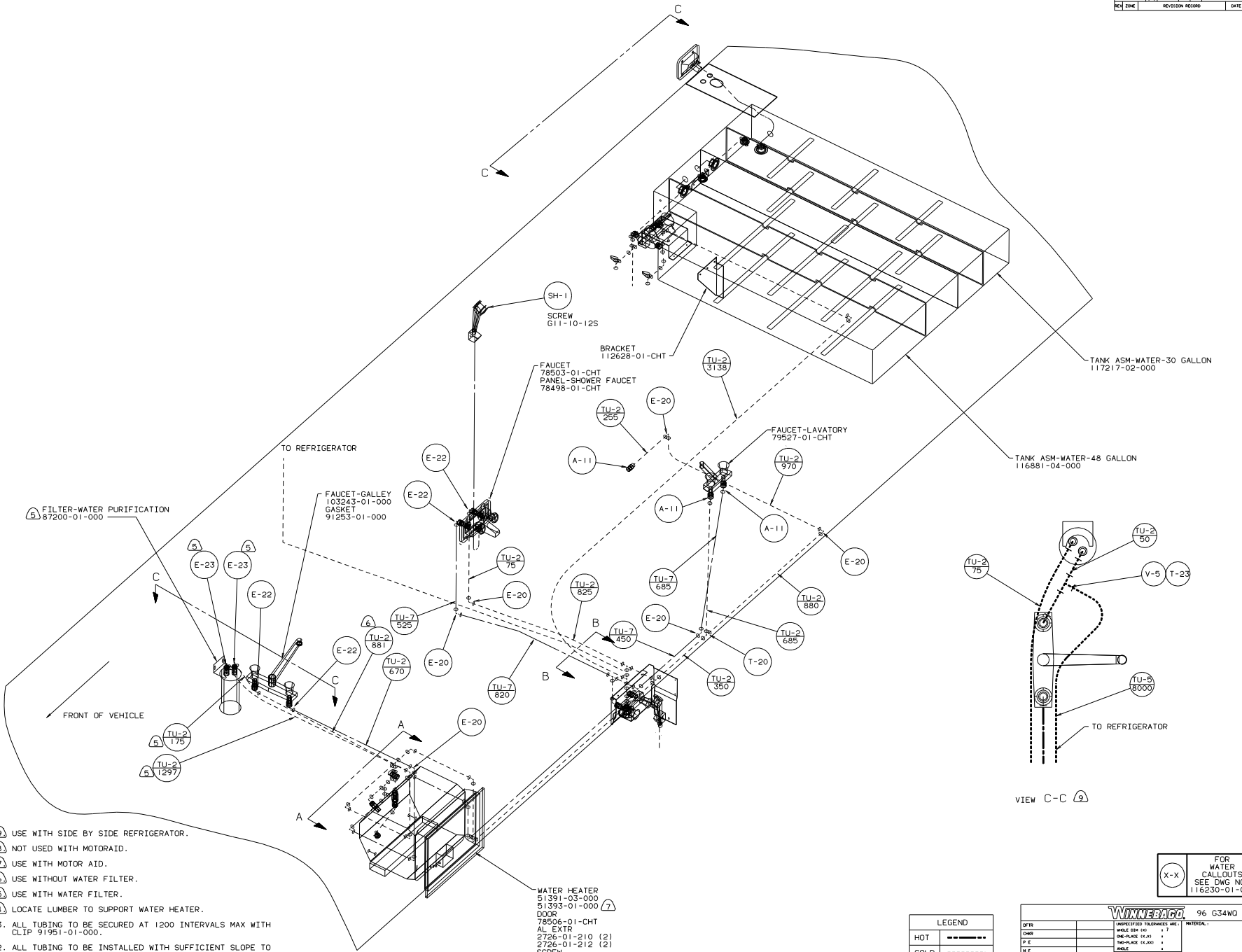


VIEW A-A

SHOWER INSTL-ENCLOSURE  
116119-01-000  
STRAINER  
66729-01-000  
SEALER  
69640-01-000  
NUT-SLIP  
66436-01-000  
WASHER  
69735-01-000  
TAILPIECE  
11069-06-000



VIEW B-B



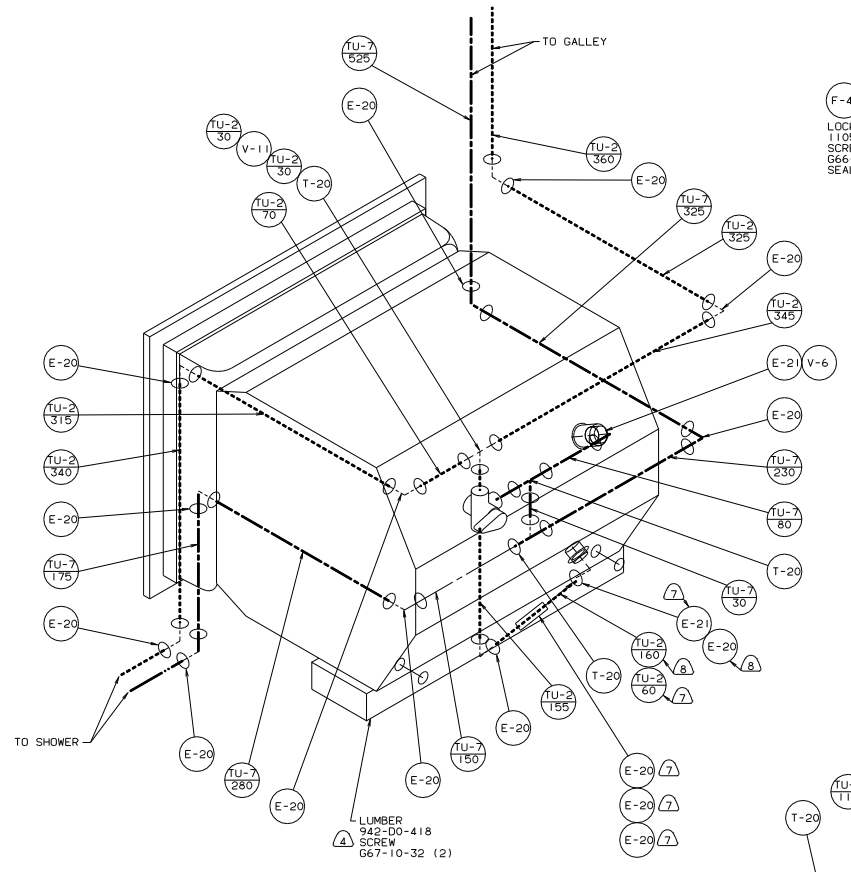
- (9) USE WITH SIDE BY SIDE REFRIGERATOR.  
 (8) NOT USED WITH MOTORAID.  
 (7) USE WITH MOTOR AID.  
 (6) USE WITHOUT WATER FILTER.  
 (5) USE WITH WATER FILTER.  
 (4) LOCATE LUMBER TO SUPPORT WATER HEATER.  
 3. ALL TUBING TO BE SECURED AT 1200 INTERVALS MAX WITH CLIP 91951-01-000.  
 2. ALL TUBING TO BE INSTALLED WITH SUFFICIENT SLOPE TO PROVIDE DRAINAGE TO NEAREST VALVE.  
 1. PLASTIC FITTINGS TO BE SEALED WITH SEALANT 84456-01-000.

WATER HEATER  
 51391-03-000  
 51393-01-000 (7)  
 DOOR  
 78506-01-CHT  
 AL EXTR  
 2726-01-210 (2)  
 2726-01-212 (2)  
 SCREW  
 G39-10-169 (8)  
 SEALANT

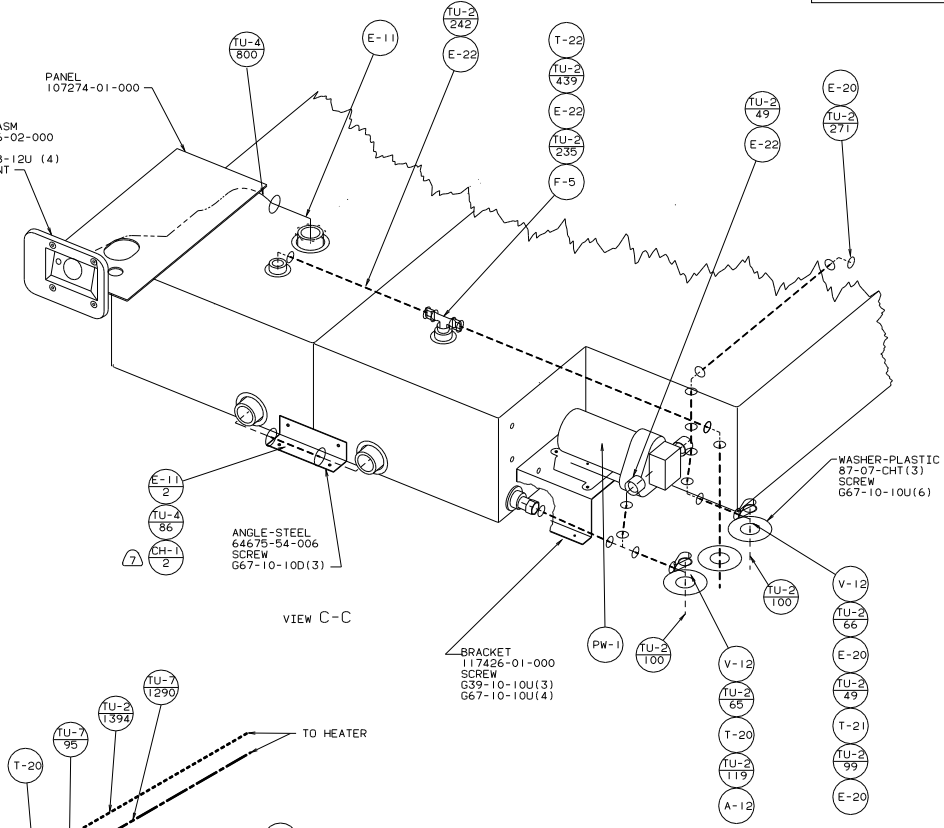
LEGEND	
HOT	-----
COLD	-----

(X-X) FOR WATER CALLOUTS SEE DWG NO. 116230-01-000

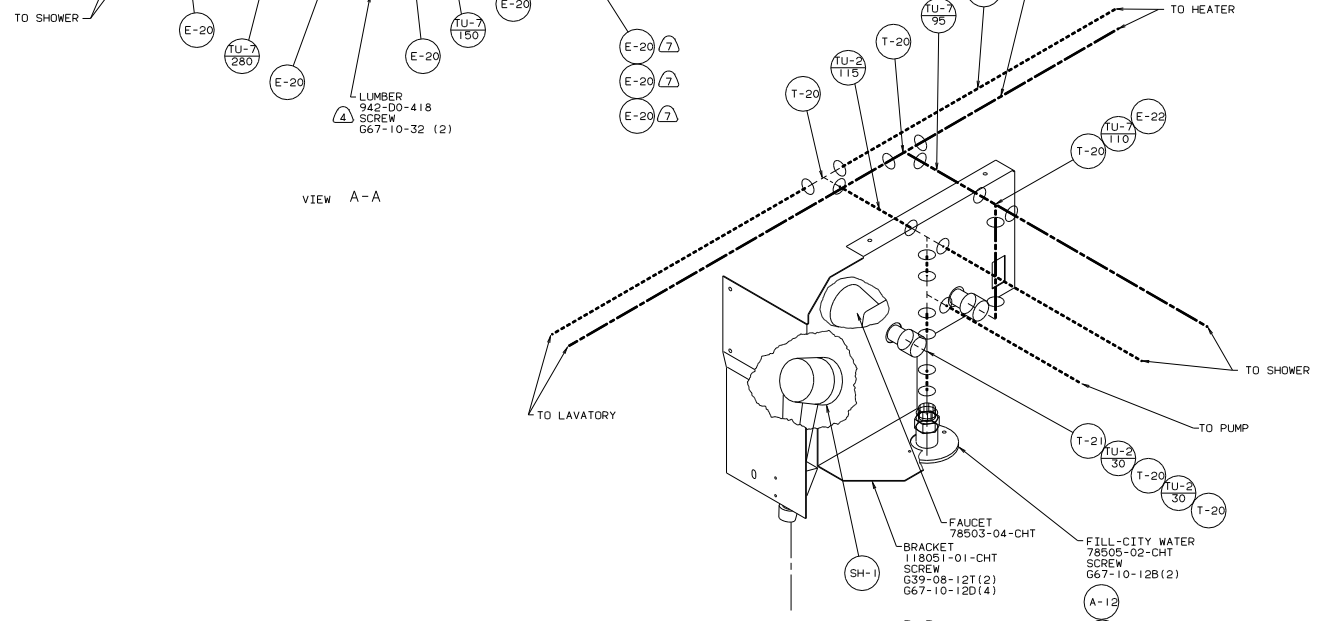
WINNEAGO 96 G34W0	
OPTN	UNSPECIFIED TOLERANCES ARE: MATERIAL
CHRP	ANGLE DIM (IN) 1:1
FRF	ONE-PLATE (IN.XI) :
PLC	TWO-PLATE (IN.XXI) :
PLC	ANGLE
CDPR	THIRD ANGLE PROJECTION
LANPT NO: G34W0	TITLE: WATER SYSTEM INSTL
DIA #	SCALE: NONE
ALL DIMENSIONS ARE IN MILLIMETERS	SHEET 1 OF 2
REF: 116129 F I	119796



VIEW A-A



VIEW C-C



VIEW B-B

TITLE: WATER SYSTEM INSTL		SHEET 2 OF 2		REV 1		DWG NO 119796	
---------------------------	--	--------------	--	-------	--	---------------	--

96 G34WQ