

TANK-HOLDING, 50 GAL  
 104352-14-000  
 PLATFORM ASM-HOLDING TANK  
 105193-01-000  
 105193-02-000

SINK-SST, DOUBLE  
 110654-01-000 (US/CAN)  
 STRAINER  
 92303-01-000 (2)  
 SEAL  
 69640-01-000  
 RETAINER  
 105497-01-000 (2)  
 105497-02-000 (4)  
 SCREW  
 G67-06-10U (22)

TANK-HOLDING, 46 GALLON  
 112789-03-000  
 PLATFORM ASM-HOLDING TANK  
 112784-01-XXX  
 112784-02-XXX

BRACKET  
 95061-01-000 (10)  
 SCREW  
 G67-10-12B  
 G-1 C-3 55 40

BRACKET  
 95061-01-000 (10)  
 SCREW  
 G67-10-12B  
 G-1 C-3 55 40

BRACKET  
 95061-01-000 (2) (10)  
 SCREW  
 G67-10-12B (2)  
 CLAMP  
 62401-02-000  
 C-3 G-1 55

BRACKET (10)  
 95061-01-000 (2)  
 SCREW  
 G67-10-12B (2)  
 CLAMP  
 62401-02-000  
 C-3 40 50 6-1

BRACKET  
 94756-03-XXX  
 SCREW  
 G39-10-12D (3)  
 NUT  
 D39-05-00B (2)  
 BRACKET  
 111316-01-000

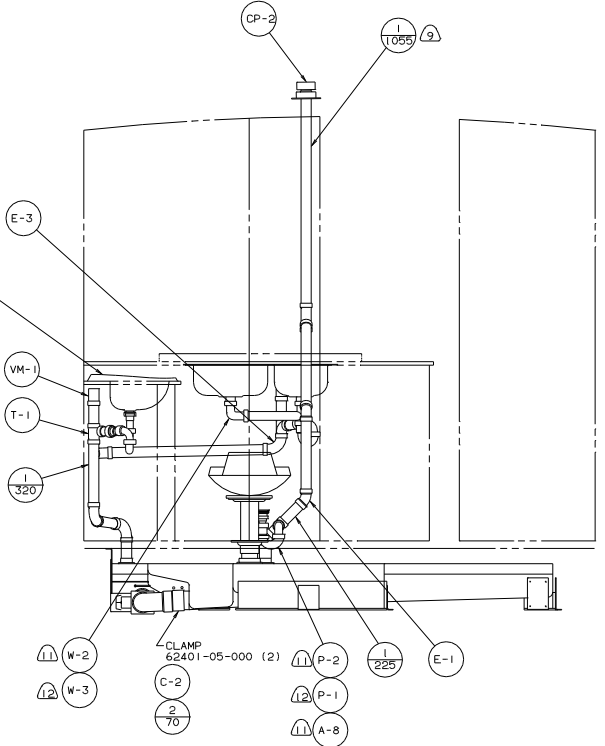
FOR DRAINAGE CALLOUTS SEE DWG NO. 116229-01-000

- (12) CSA ONLY.
- (11) US ONLY.
- (10) SECURE VENT TUBES TO FLOOR WITH BRACKET.
- (9) VENT PIPE MUST PROJECT 51 MM MIN AND 63.5 MM MAX ABOVE ROOF FOR PROPER FIT AND FUNCTION.
- 8. SEE DWG 61607-01-000 FOR INSTL OF GROMMETS.
- 7. SEAL ALL AROUND SHOWER WITH SILICONE.
- 6. FOR CAN UNITS EACH HOLDING TANK SHALL HAVE A CSA APPROVAL STAMPED NEAR THE IAMPO APPROVAL.
- 5. EXPOSED PIPE ABOVE ROOF TO BE PAINTED 37163-01-000.
- 4. ALL EXTERIOR OPENINGS AROUND PIPE TO BE SEALED WITH 110744-01-000.
- 3. ALL PIPE AND FITTINGS TO BE ASSEMBLED WITH SOLVENT 4020-01-000.
- 2. SLOPE OF TRAP ARM MUST BE 6 PER 305.
- 1. SLOPE OF HORIZONTAL PIPING TO BE 6 PER 305 MIN.

NOTES:

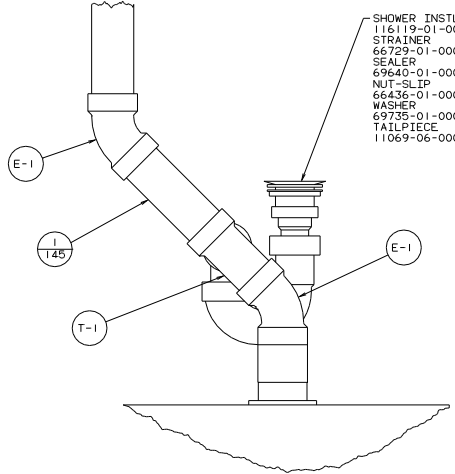
LAWRENCE		TITLE: DRAINAGE SYSTEM INSTL	
REV	SCALE	NO	DATE
1	1:1	1	11/16/10
SHEET 1 OF 2		DRAWING NO. 116010	

SINK-LAVATORY  
105921-01-CHT  
SPACER-SINK  
105218-01-CHT  
STRAINER  
106116-01-CHT  
SEALER  
69640-01-000

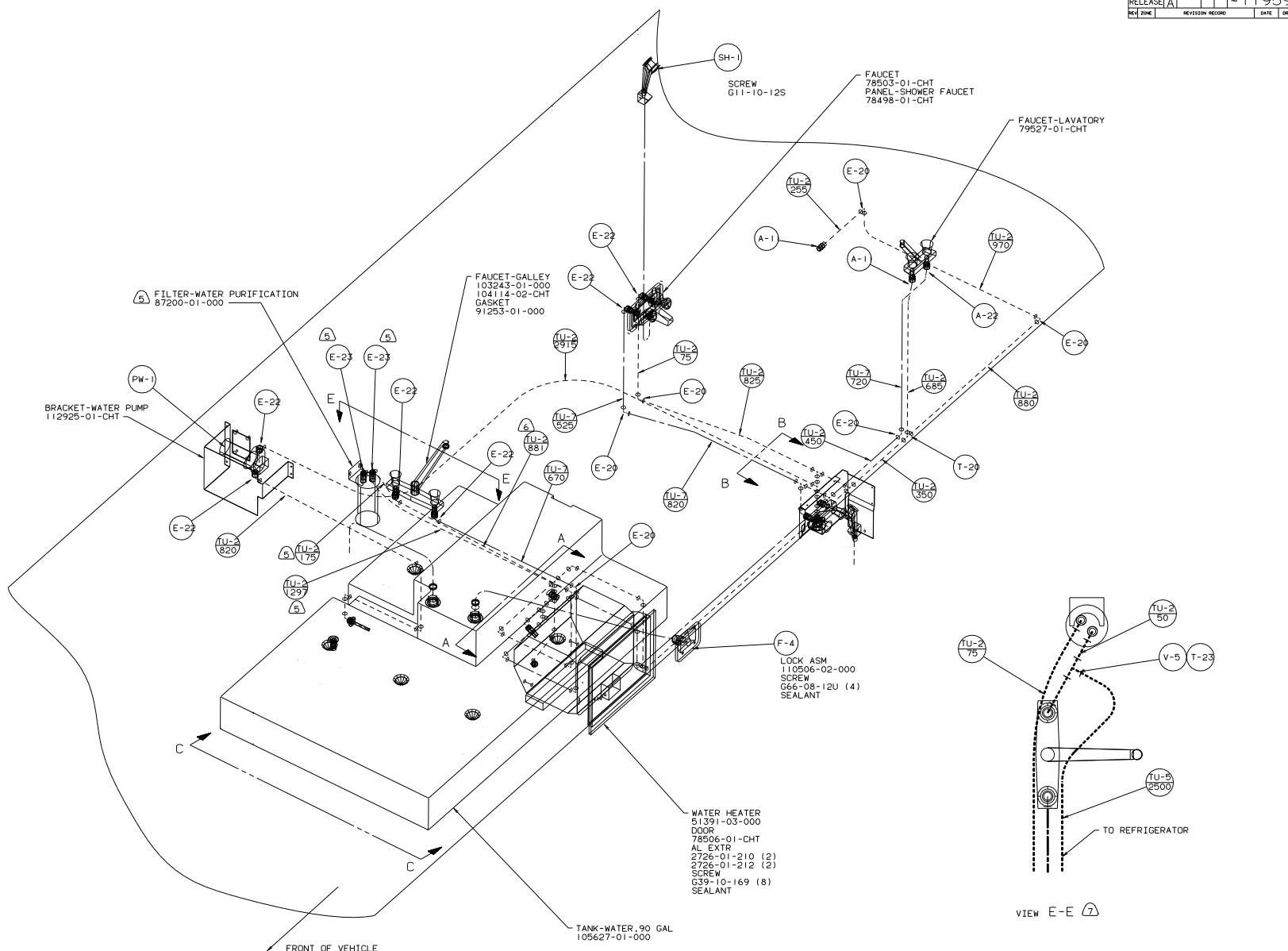


VIEW A-A

SHOWER INSTL-ENCLOSURE  
116119-01-000  
STRAINER  
66729-01-000  
SEALER  
69640-01-000  
NUT-SLIP  
66436-01-000  
WASHER  
69735-01-000  
TAILPIECE  
11069-06-000



VIEW B-B



- ⑦ USE WITH SIDE BY SIDE REFRIGERATOR.
  - ⑧ USE WITHOUT WATER FILTER.
  - ⑨ USE WITH WATER FILTER.
  - ④ LOCATE LUMBER TO SUPPORT WATER HEATER.
3. ALL TUBING TO BE SECURED AT 1200 INTERVALS MAX WITH CLIP 91951-01-000.
2. ALL TUBING TO BE INSTALLED WITH SUFFICIENT SLOPE TO PROVIDE DRAINAGE TO NEAREST VALVE.
1. PLASTIC FITTINGS TO BE SEALED WITH SEALANT 84456-01-000.

LEGEND	
HOT	-----
COLD	-----

(X-X) FOR WATER CALLOUTS SEE DWG NO. 116230-01-000

**WINNEBAGO** 96 G34WD,PUSH

QTR	UNSPECIFIED TOLERANCES ARE:	MATERIAL
CHP	WHOLE DIM (IN)	F 1
F 1/2	ONE-PLACE (IN)	F 1/2
F 1/4	TWO-PLACE (IN)	F 1/4
F 1/8	THREE-PLACE (IN)	F 1/8
CDR	THREE-PLACE (IN)	F 1/8

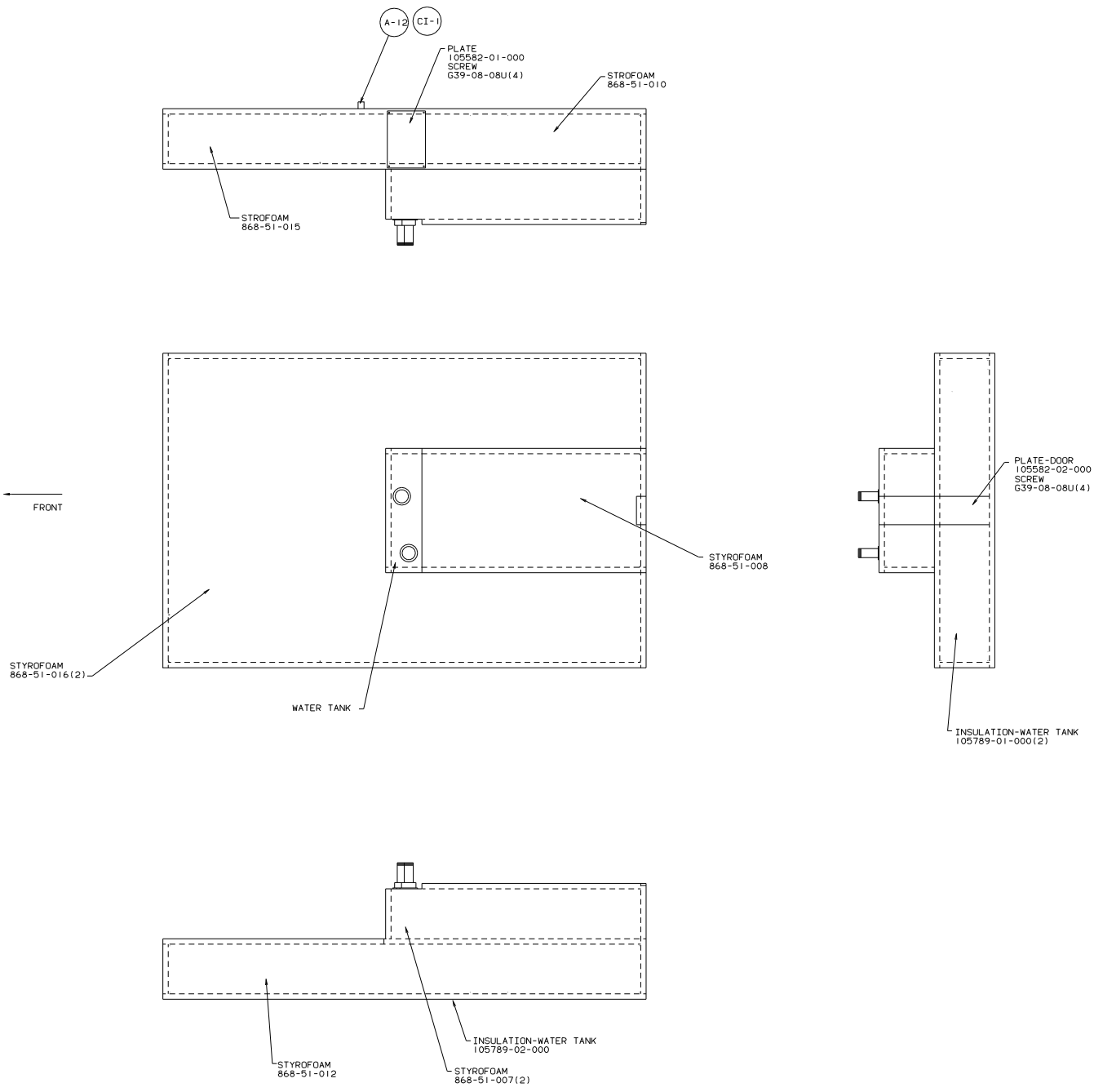
LANO# GK34WD TITLE: WATER SYSTEM INSTL

DIA # SCALE: NONE DO NOT SCALE DRAWING

ALL DIMENSIONS ARE IN MILLIMETERS SHEET 1 OF 3

REF: 119284 A 1 119595





96 G34WQ,PUSH

TITLE: WATER SYSTEM INSTL		DWG NO 119595	
30 NET SCALE DRAWING	SHEET 3 OF 3	REV 1	DATE