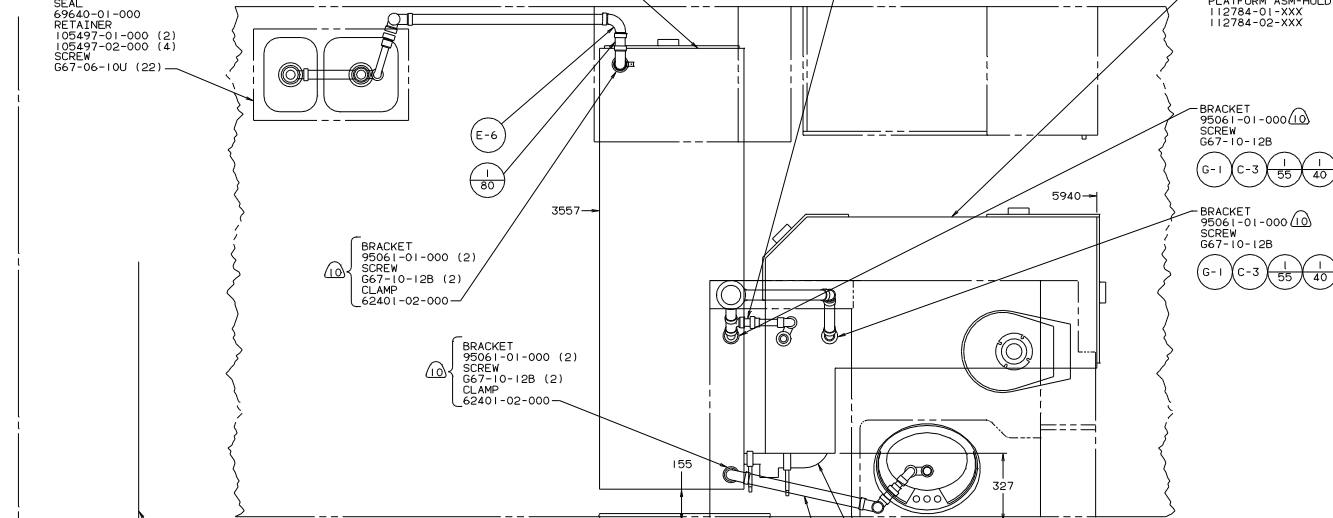


SINK-SST, DOUBLE  
 110654-01-000 (US/CAN)  
 STRAINER  
 92303-01-000 (2)  
 SEAL  
 69640-01-000  
 RETAINER  
 105497-01-000 (2)  
 105497-02-000 (4)  
 SCREW  
 667-06-10U (22)

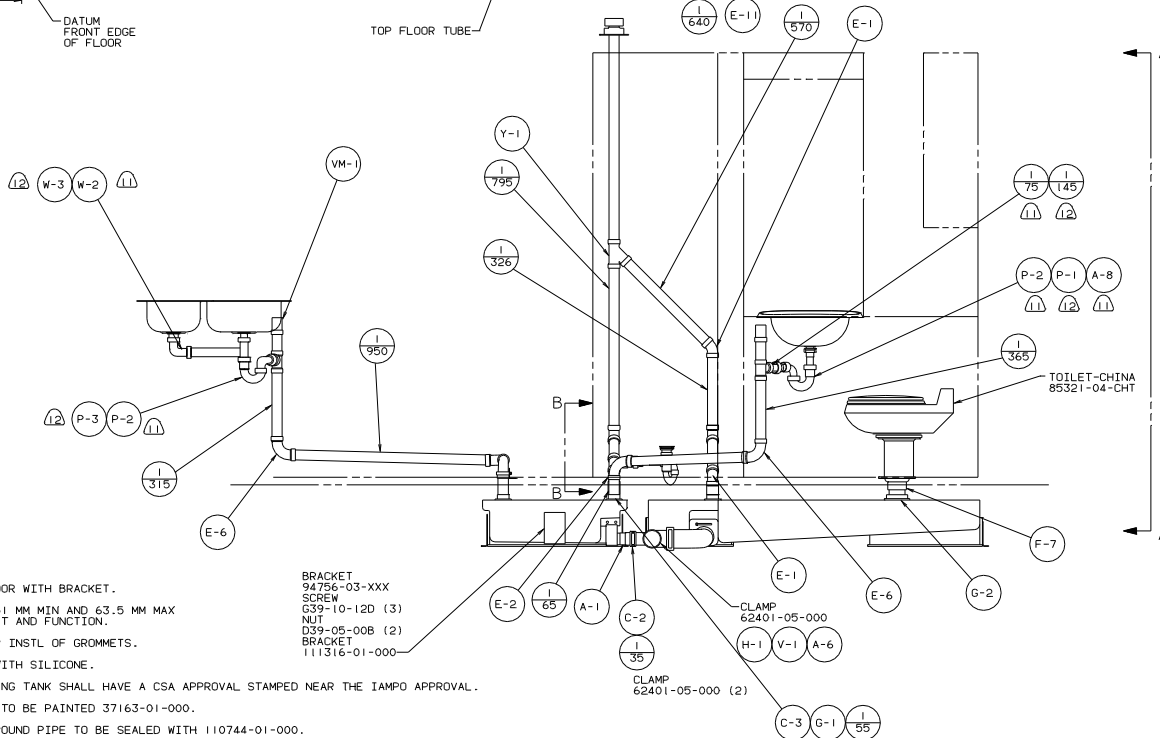
TANK-HOLDING, 50 GALLON  
 104352-16-000  
 PLATFORM ASM-HOLDING TANK  
 105193-01-000  
 105193-02-000

TANK-HOLDING, 46 GALLON  
 112789-03-000  
 PLATFORM ASM-HOLDING TANK  
 112784-01-XXX  
 112784-02-XXX



FRONT AXLE  
 DATUM FRONT EDGE OF FLOOR

TOP FLOOR TUBE



- ⑫ CSA ONLY.
- ⑪ US ONLY.
- ⑩ SECURE VENT TUBES TO FLOOR WITH BRACKET.
- ⑨ VENT PIPE MUST PROJECT 51 MM MIN AND 63.5 MM MAX ABOVE ROOF FOR PROPER FIT AND FUNCTION.
- 8. SEE DWG 61607-01-000 FOR INSTL OF GROMMETS.
- 7. SEAL ALL AROUND SHOWER WITH SILICONE.
- 6. FOR CAN UNITS EACH HOLDING TANK SHALL HAVE A CSA APPROVAL STAMPED NEAR THE IAMPO APPROVAL.
- 5. EXPOSED PIPE ABOVE ROOF TO BE PAINTED 37163-01-000.
- 4. ALL EXTERIOR OPENINGS AROUND PIPE TO BE SEALED WITH 110744-01-000.
- 3. ALL PIPE AND FITTINGS TO BE ASSEMBLED WITH SOLVENT 4020-01-000.
- 2. SLOPE OF TRAP ARM MUST BE 6 PER 305.
- 1. SLOPE OF HORIZONTAL PIPING TO BE 6 PER 305 MIN.

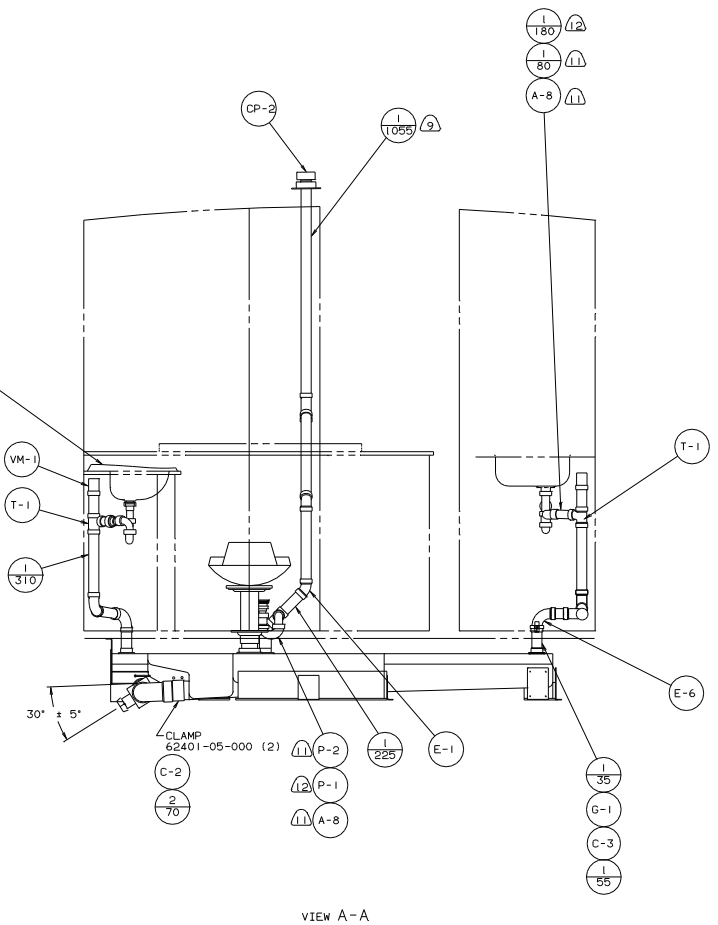
BRACKET  
 94756-03-XXX  
 SCREW  
 G39-10-12D (3)  
 NUT  
 D39-05-00B (2)  
 BRACKET  
 111316-01-000

CLAMP  
 62401-05-000 (2)

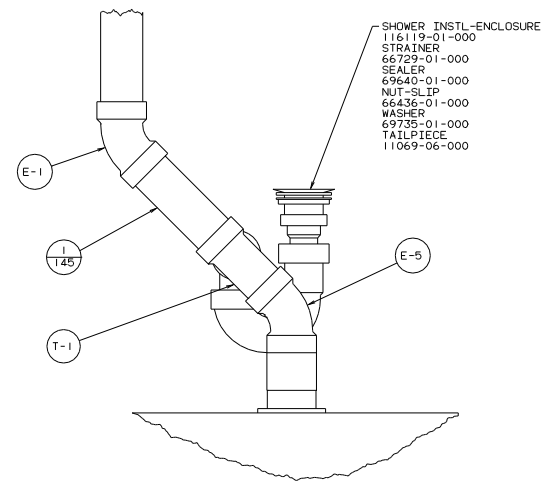
X-X FOR DRAINAGE CALLOUTS SEE DWG NO. 116229-01-000

WINNERAGO 95 G34WK	
QTY IN	UNSPECIFIED TOLERANCES ARE MATERIAL
CHDR	WHOLE DIM IN
DR	ONE-PLACE IN IN
FR	TWO-PLACE IN IN
FIN	THREE-PLACE IN IN
CON	FOUR-PLACE IN IN
DR	DRILL HOLE
DR	DRILL HOLE PROJECTION
LAYOUT NO. G474R5	TITLE: DRAINAGE SYSTEM INSTL
REV # SCALE	NO. OF SHEETS
ALL DIMENSIONS ARE IN MILLIMETERS	SHEET 1 OF 2
REF: 116101	117209

SINK-LAVATORY  
105921-01-CHT  
STRAINER  
106116-01-CHT  
SEALER  
69640-01-000  
SPACER-SINK  
105218-01-CHT



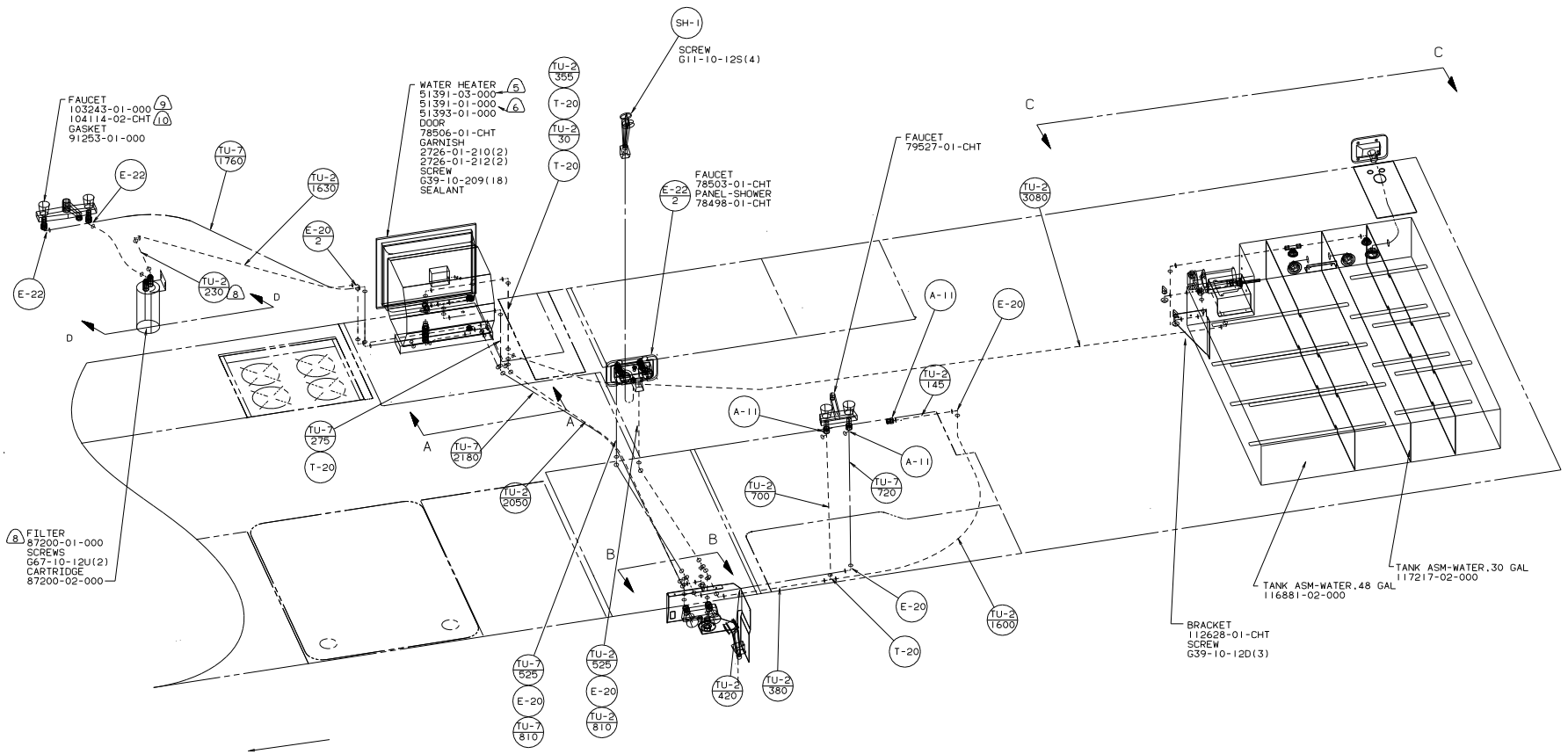
VIEW A-A



VIEW B-B

TITLE: DRAINAGE SYSTEM INSTL		DWG NO: 117209	
30 NET SCALE DRAWING	SHEET 2 OF 2	FILE	DATE

95 G34WK



- FRONT OF VEHICLE
- (1) USE WITH ICEMAKER.
  - (10) USE WITH SINGLE CONTROL FAUCET.
  - (9) USE WITH DUAL CONTROL FAUCET.
  - (8) USE WITH WATER PURIFIER.
  - (7) CLAMP MUST BE ON BARBS.
  - (6) USE WITH MOTOR AID.
  - (5) NOT USED WITH MOTOR AID.
  - (4) LOCATE LUMBER TO SUPPORT WATER HEATER.

3. ALL TUBING TO BE SECURED AT 1200 INTERFALS MAX WITH CLIP 91951-01-000 AND SCREW G13-06-16U.
2. TUBING TO BE INSTALLED WITH SUFFICIENT SLOPE TO PROVIDE DRAINAGE TO NEAREST VALVE.
1. PLASTIC FITTINGS TO BE SEALED WITH SEALANT 84456-01-000.

(X-X) FOR WATER CALLOUTS SEE DWG NO. 116230-01-000

LEGEND	
HOT	-----
COLD	.....

WINNEAGO 96 G34WK	
OPTN	UNSPECIFIED TOLERANCES ARE: MATERIAL
CHRP	WHOLE DIM (IN) .1
F/F	ONE-PLACE (IN) .01
F/E	NO-PLACE (IN) .001
F/E	ANGLE
CDPR	THIRD ANGLE PROJECTION
LANFR	G34WK
TITLE	WATER SYSTEM INSTL
DIA #	SCALE: NONE
DO NOT SCALE DRAWING	SIZE: DWG
ALL DIMENSIONS ARE IN MILLIMETERS	SHEET 1 OF 3
DATE	11/18/11
REF:	117169



