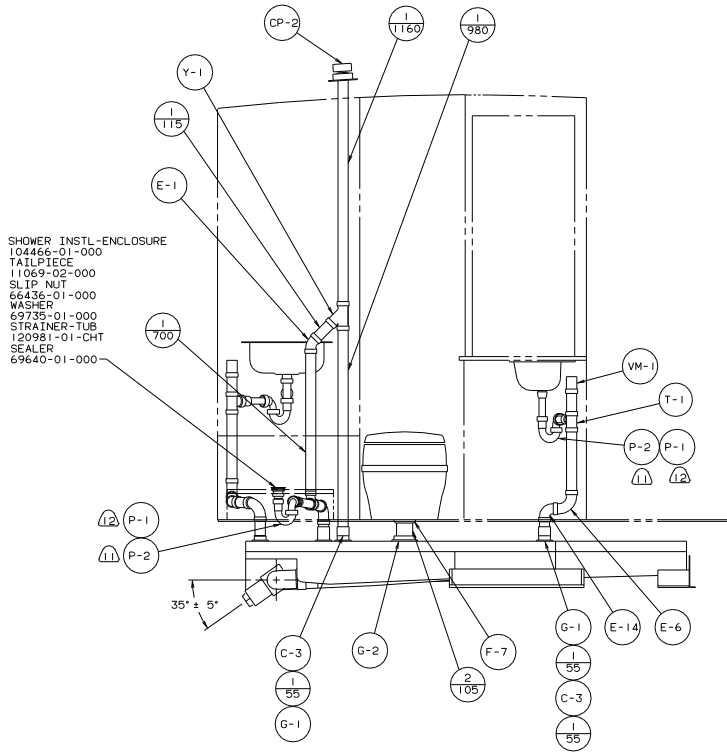


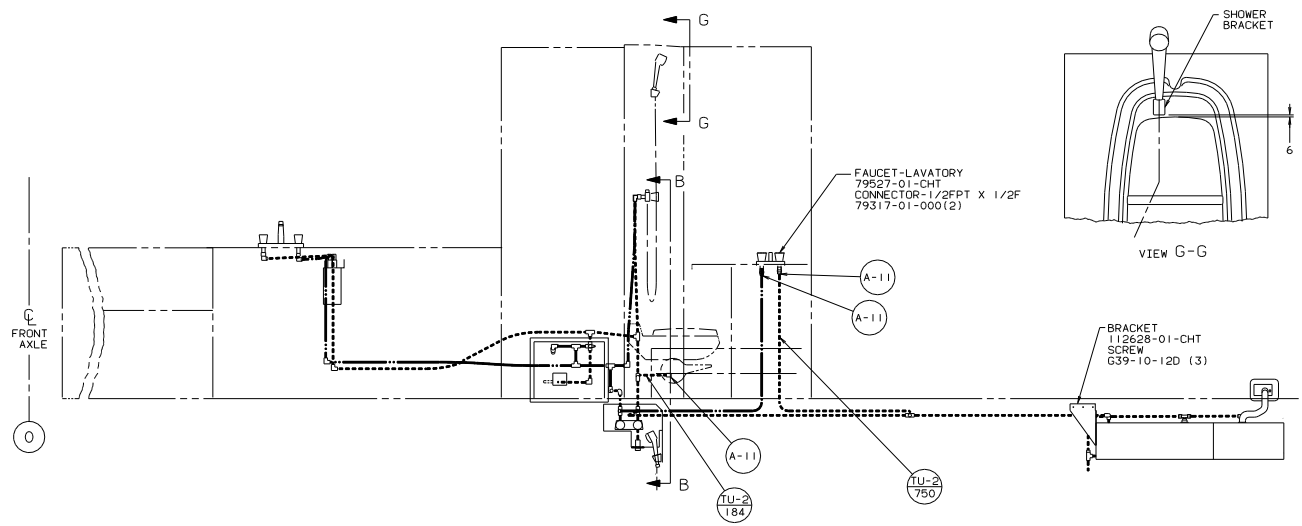
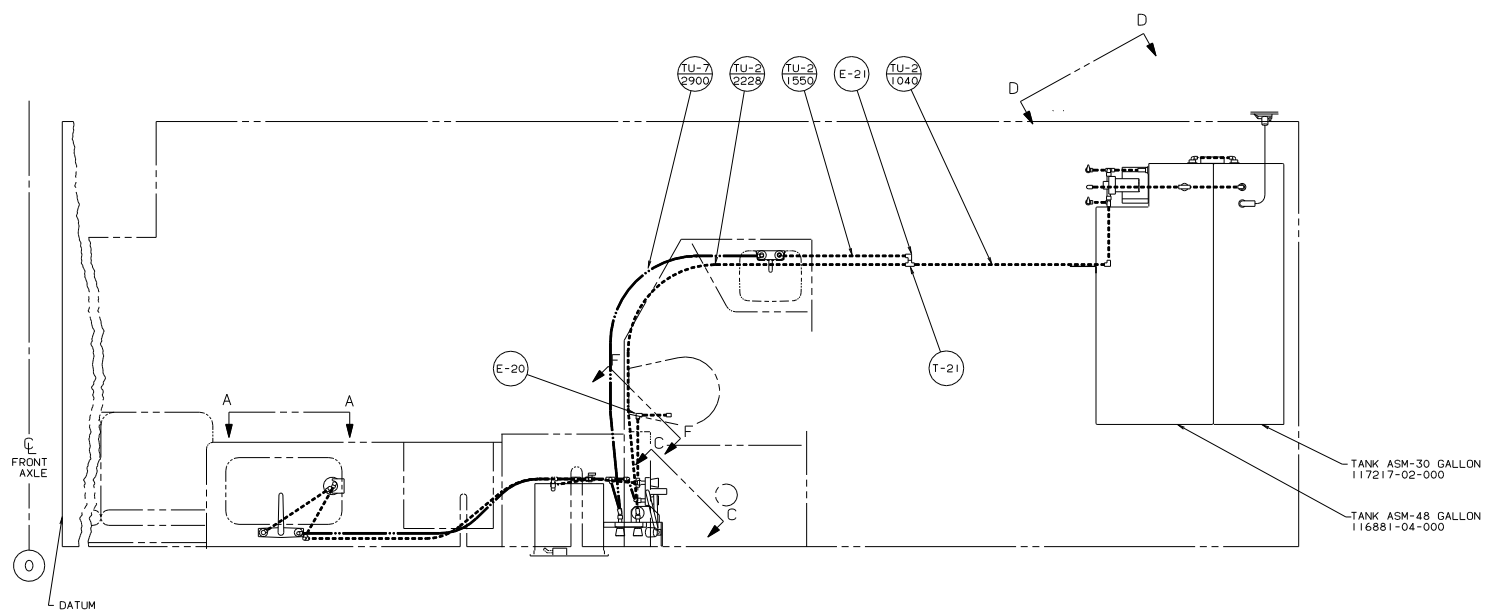
- 12 CSA ONLY.
- 11 US ONLY.
- 10 SECURE VENT TUBES TO FLOOR WITH BRACKET 95061-01-000(2), CLAMP 62401-02-000, PLATE COVER 94346-03-000, SCREW G67-10-12B(2), AND STAPLE 5403-03-000.
- 9 VENT PIPE MUST PROJECT 51 MM MIN AND 63.5 MM MAX ABOVE ROOF FOR PROPER FIT AND FUNCTION.
- 8. SEE DWG 61607-01-000 FOR INSTL OF GROMMETS.
- 7. SEAL ALL AROUND SHOWER WITH SILICONE.
- 6. FOR CAN UNITS EACH HOLDING TANK SHALL HAVE A CSA APPROVAL STAMPED NEAR THE TAMPO APPROVAL.
- 5. EXPOSED PIPE ABOVE ROOF TO BE PAINTED 37163-01-000.
- 4. ALL EXTERIOR OPENINGS AROUND PIPE TO BE SEALED WITH 110744-01-000.
- 3. ALL PIPE AND FITTINGS TO BE ASSEMBLED WITH SOLVENT 4020-01-000.
- 2. SLOPE OF TRAP ARM MUST BE 6 PER 305.
- 1. SLOPE OF HORIZONTAL PIPING TO BE 6 PER 305 MIN.

FOR DRAINAGE CALLOUTS SEE DWG NO. 116229-01-000

WINNERAGO 95 G34WA	
DATE	UNSPECIFIED TOLERANCES ARE:
CHG	HOLE DIA (R)
PIE	ONE-PLATE (R, X1)
PIE	TWO-PLATE (R, X2)
PIE	MIG
CON	THRU-HOLE PROJECTION
TITLE: DRAINAGE SYSTEM INSTL	
LANST NO: GW34A5	REV: 1
DIA #	SCALE: NONE
30 MET SCALE (DRAWING)	1 IN = 1 FT
ALL DIMENSIONS ARE IN MILLIMETERS	SHEET 1 OF 2
REF: 111675	115550



VIEW A-A

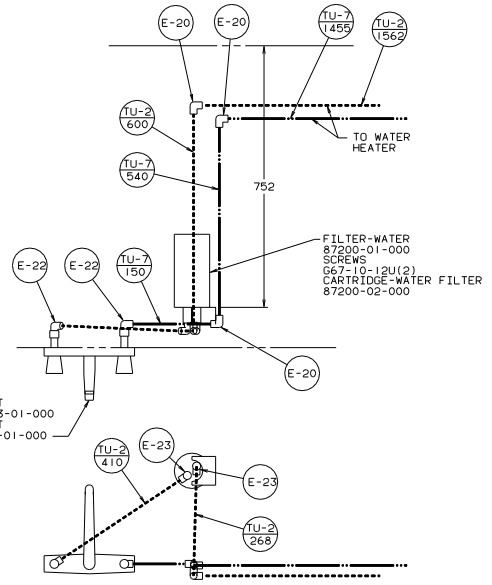


- ④ BRACKET FLANGE TO BE MOUNTED FLUSH WITH TOP OF CHASSIS RISERS.
 - ⑦ CLAMP MUST BE ON BARBS.
 - ⑥ NOT USED WITH MOTOR AID.
 - ⑤ USE WITH MOTOR AID.
 - ④ LOCATE LUMBER TO SUPPORT WATER HEATER.
3. ALL TUBING TO BE SECURED AT 1200 INTERVALS MAX WITH CLIP 91951-01-000 AND SCREW G13-06-16U.
2. TUBING TO BE INSTALLED WITH SUFFICIENT SLOPE TO PROVIDE DRAINAGE TO NEAREST VALVE.
1. PLASTIC FITTINGS TO BE SEALED WITH SEALANT 84456-01-000.

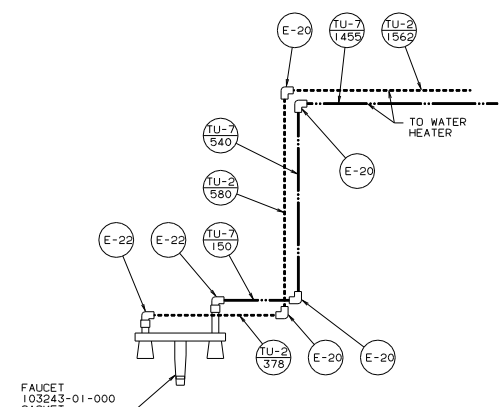
LEGEND	
HOT	—————
COLD	-----

X-X FOR WATER CALLOUTS SEE DWG NO. 116230-01-000

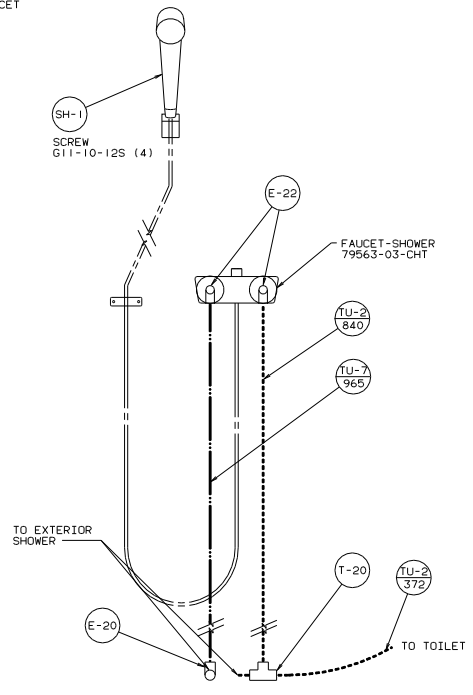
WINNEGAGO 96 G34WA	
DATE: 11/18/07	UNSPECIFIED TOLERANCES ARE: MATERIAL:
DRW: []	WHOLE DIM (IN) 1/8
CHK: []	ONE-PLACE (IN.X1) .015
DES: []	TWO-PLACE (IN.XXX) .005
APP: []	ANGLE .005
CON: []	THIRD ANGLE PREDOMINANT
LANE: G34WA	TITLE: WATER SYSTEM INSTL
DWG # SCALE: NONE	30 NET SCALE DRAWING
ALL DIMENSIONS ARE IN MILLIMETERS	SHEET 1 OF 3
REF: 115917 E 1	118072



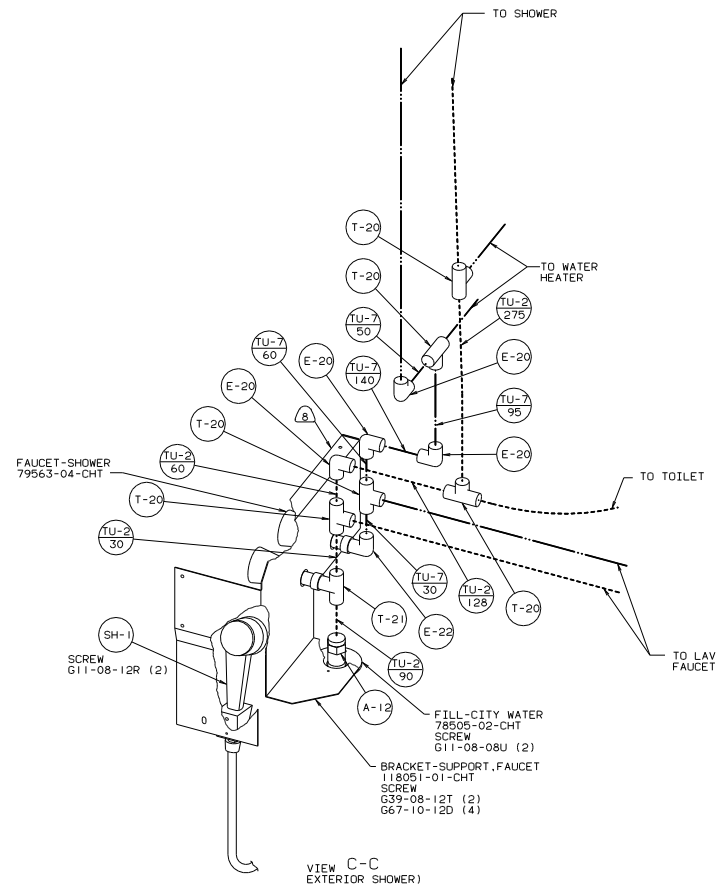
VIEW A-A
DUAL CONTROL FAUCET
WITH PURIFIER



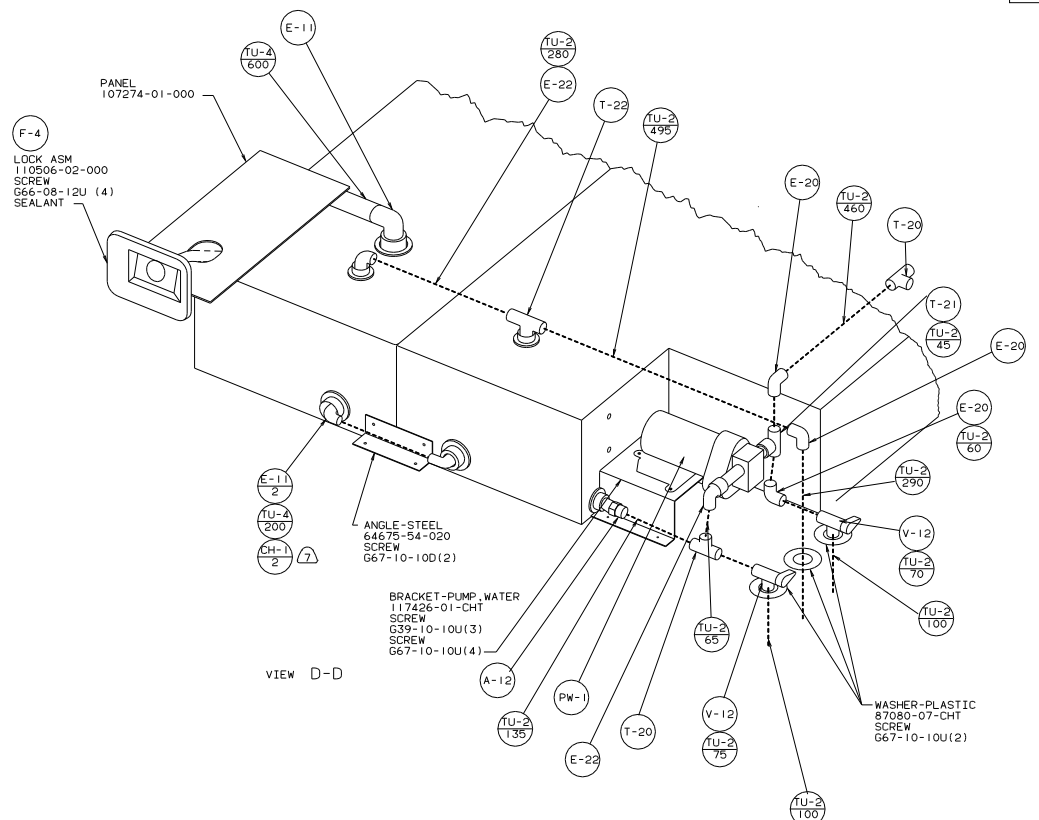
VIEW A-A
DUAL CONTROL FAUCET
WITHOUT PURIFIER



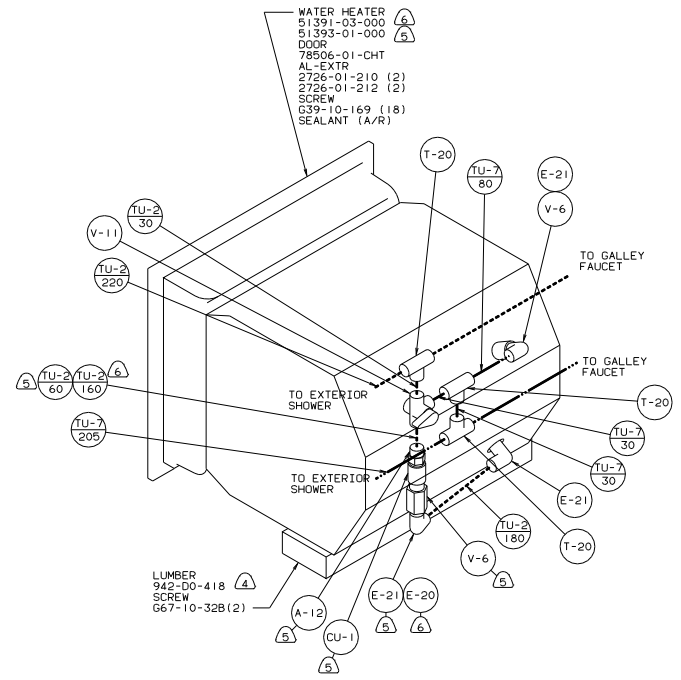
VIEW B-B



VIEW C-C
EXTERIOR SHOWER)



VIEW D-D



VIEW F-F

96 G34WA	
TITLE: WATER SYSTEM INSTL	
30 NET SCALE DRAWING	REV 1
SHEET 3 OF 3	DATE 118072