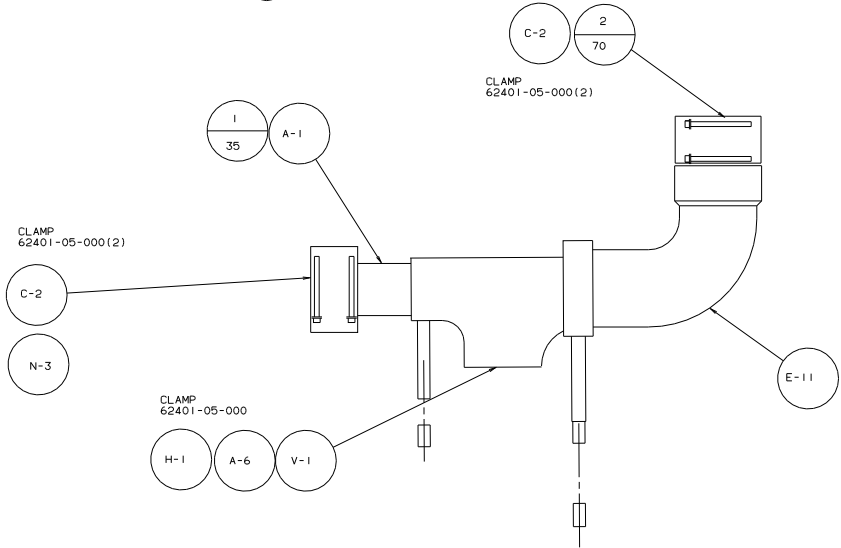
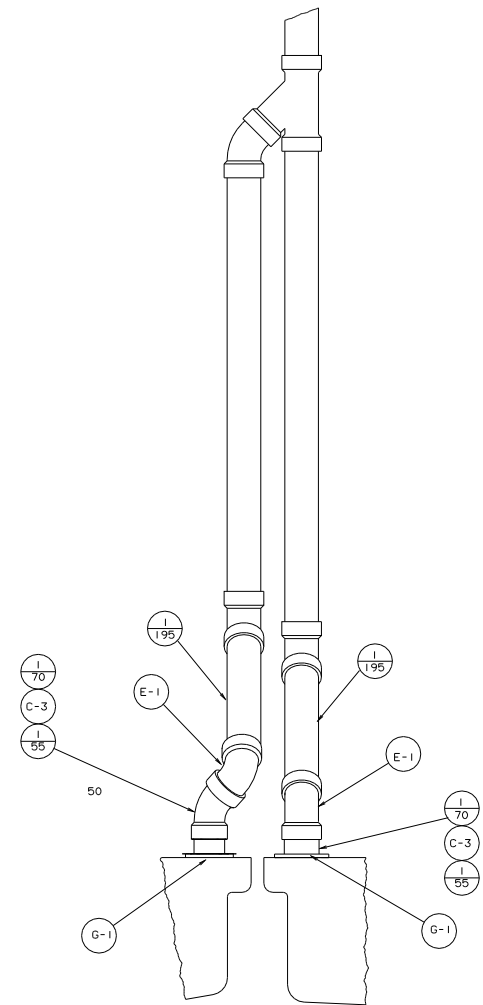


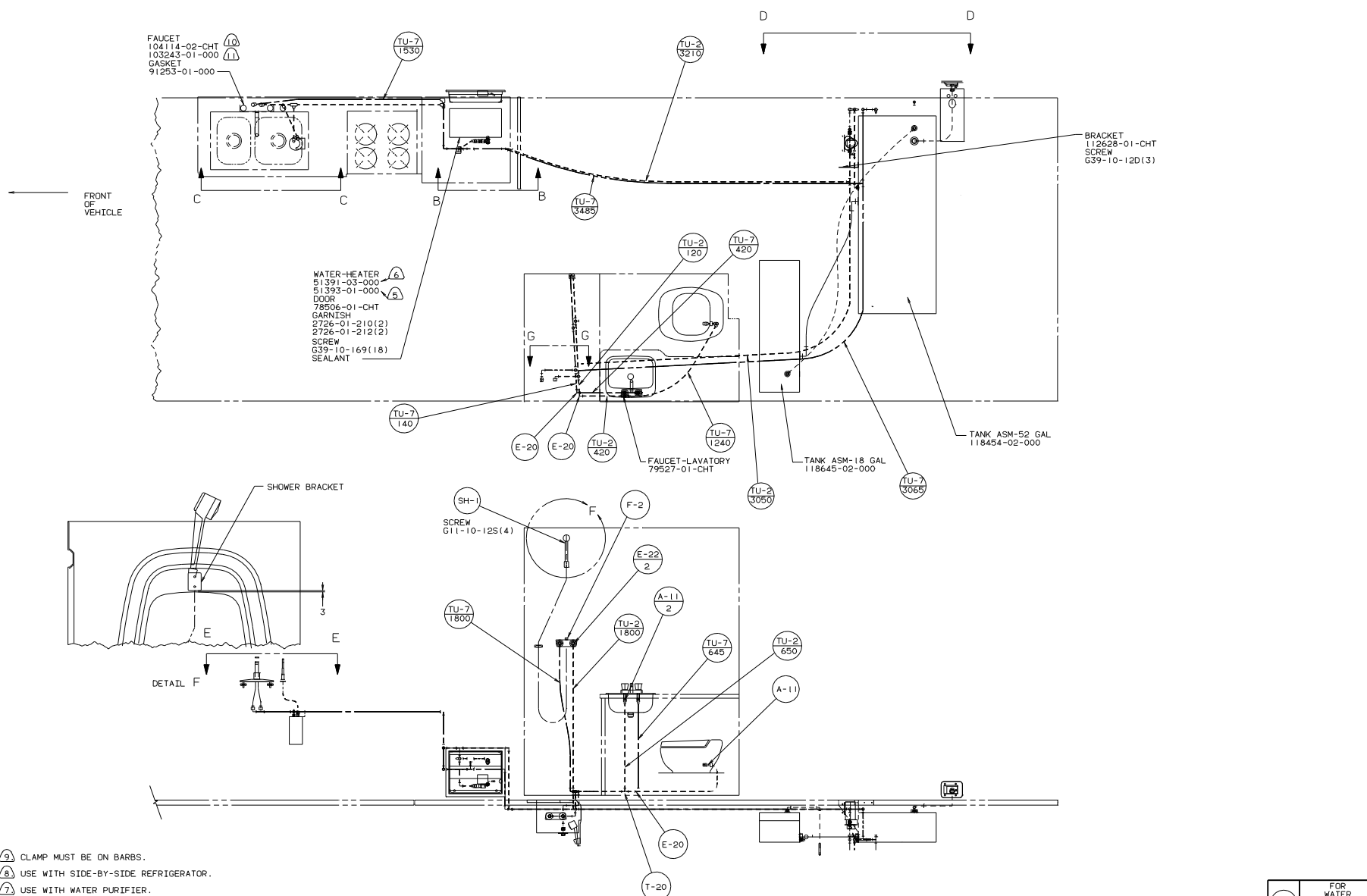
DETAIL A



VIEW B-B



VIEW B-B



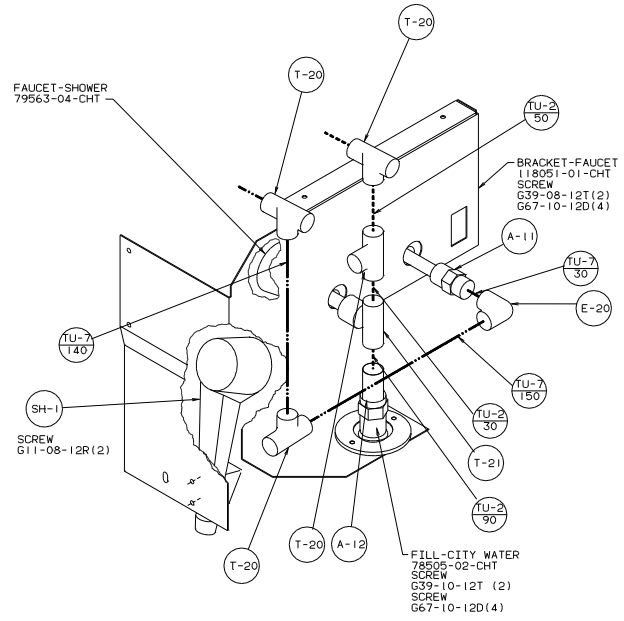
- ⑨ CLAMP MUST BE ON BARBS.
  - ⑧ USE WITH SIDE-BY-SIDE REFRIGERATOR.
  - ⑦ USE WITH WATER PURIFIER.
  - ⑥ NOT USED WITH MOTOR AID.
  - ⑤ USE WITH MOTOR AID.
  - ④ LOCATE LUMBER TO SUPPORT WATER HEATER.
3. ALL TUBING TO BE SECURED AT 1200 INTERVALS MAX WITH CLAMP 10495-01-000 OR CLIP 91951-01-000 AND SCREW G67-10-12B.
2. TUBING TO BE INSTALLED WITH SUFFICIENT SLOPE TO PROVIDE DRAINAGE TO NEAREST VALVE.
1. PLASTIC FITTINGS TO BE SEALED WITH SEALANT 84456-01-000.

- Ⓜ USE WITH DUAL CONTROL FAUCET.
- Ⓛ USE WITH SINGLE CONTROL FAUCET.

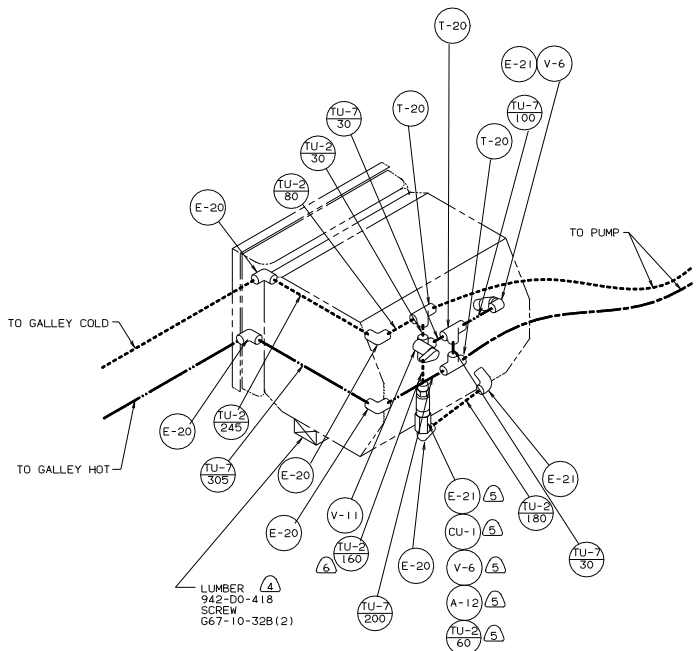
LEGEND	
HOT	—————
COLD	-----

(X-X) FOR WATER CALLOUTS SEE DWG NO. 116230-01-000

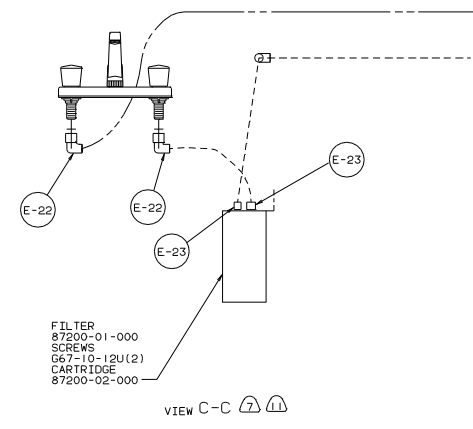
WINNEAGO		96 G34RO
OPTR	UNSPECIFIED TOLERANCES ARE	MATERIAL
CHRP	HALF DIM. (1)	
F.P.E.	ONE-PLACE (14 X 1)	
M.C.E.	TWO-PLACE (14 X 1)	
M.C.E.	HALF	
CDPR	THIRD ANGLE PROJECTION	
LANHT G34RO	TITLE	WATER SYSTEM INSTL
RD #	SCALE	NOTE
ALL DIMENSIONS ARE IN MILLIMETERS	SHEET 1 OF 3	118960



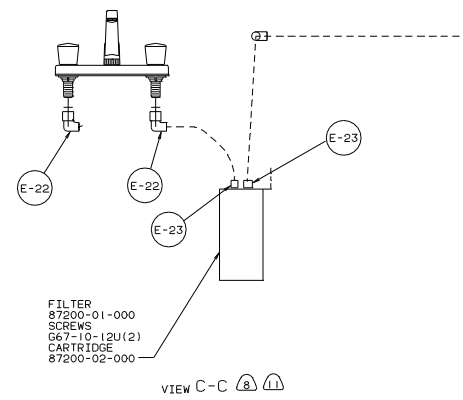
VIEW G-G  
(EXTERIOR SHOWER)



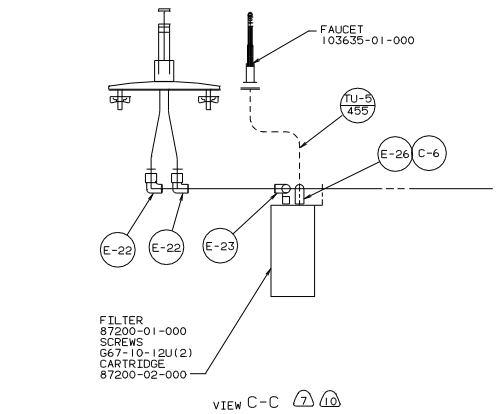
VIEW B-B



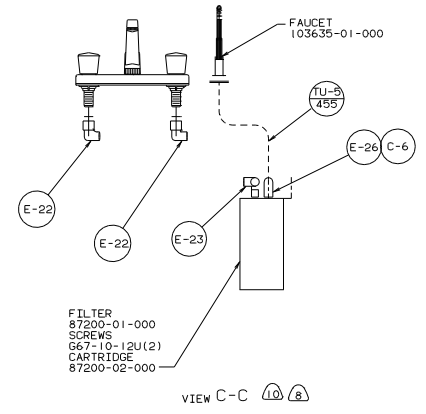
VIEW C-C 7 11



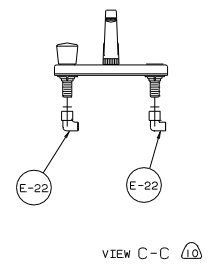
VIEW C-C 8 11



VIEW C-C 9 10



VIEW C-C 10 8



VIEW C-C 10

