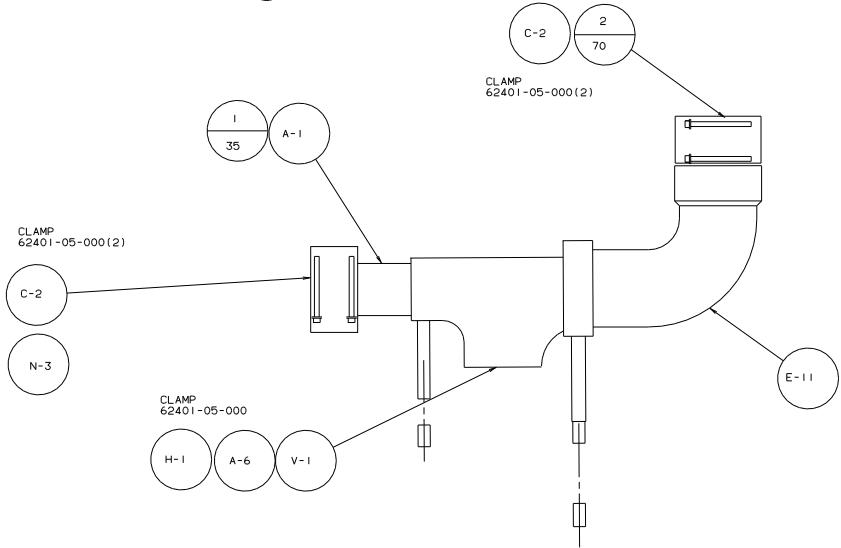
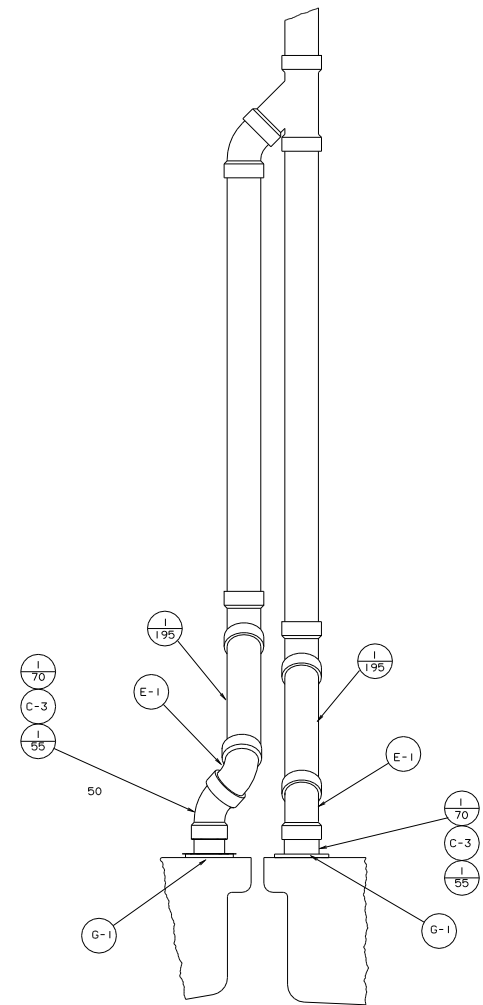


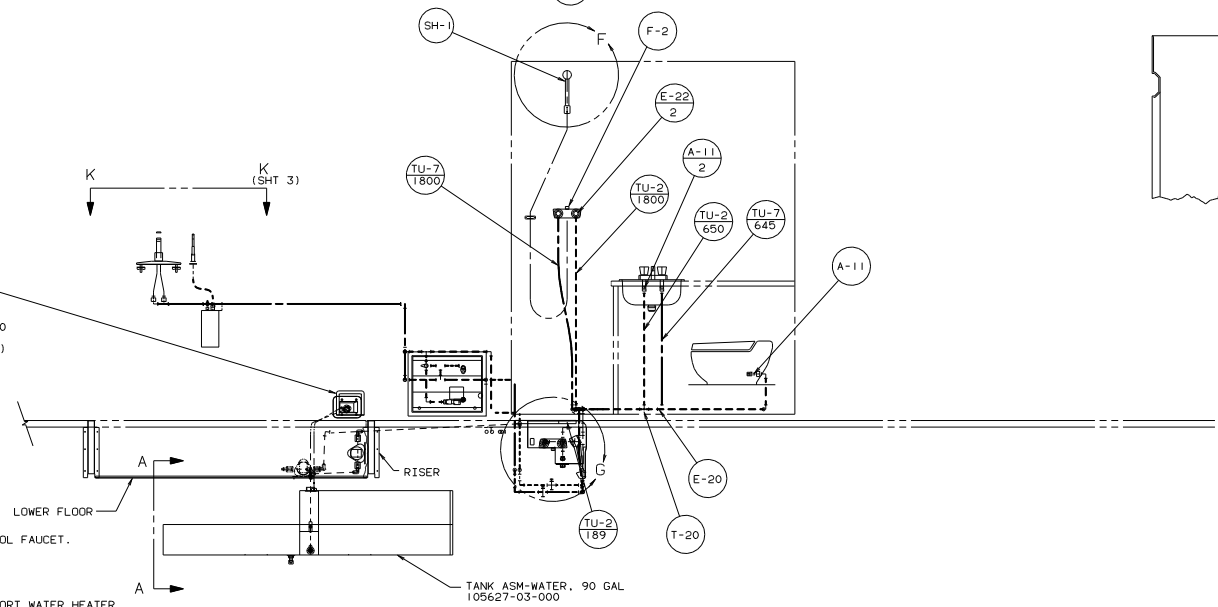
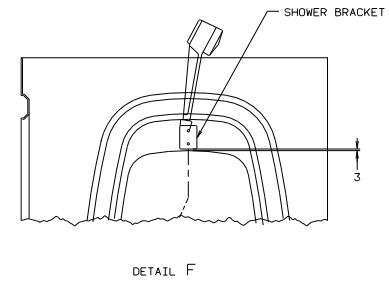
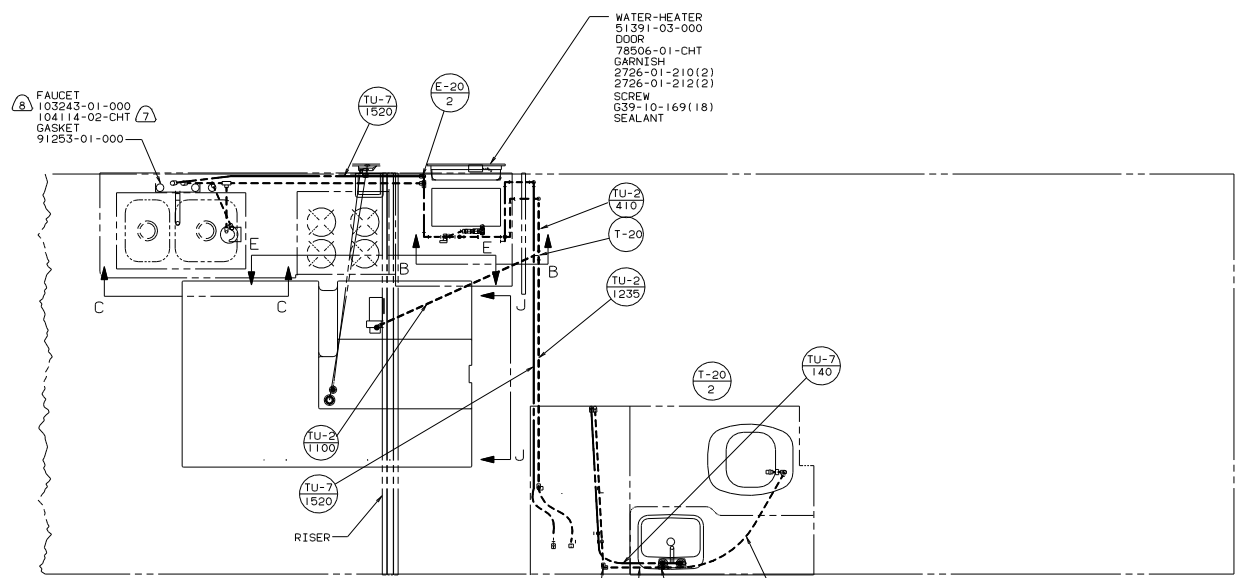
DETAIL A



VIEW B-B



VIEW B-B



- 7 USE WITH SINGLE CONTROL FAUCET.
 6 USE WITHOUT SLIDEOUT.
 5 USE WITH SLIDEOUT.
 4 LOCATE LUMBER TO SUPPORT WATER HEATER.
3. ALL TUBING TO BE SECURED AT 1200 INTERVALS MAX WITH CLAMP 10495-01-000 OR CLIP 91951-01-000 AND SCREW G67-10-12B.
2. TUBING TO BE INSTALLED WITH SUFFICIENT SLOPE TO PROVIDE DRAINAGE TO NEAREST VALVE.
1. PLASTIC FITTINGS TO BE SEALED WITH SEALANT 84456-01-000.

- 10 USE WITH SIDE-BY-SIDE REFRIGERATOR.
 9 USE WITH WATER PURIFIER.
 8 USE WITH DUAL CONTROL FAUCET.

LEGEND	
HOT	—————
COLD	-----

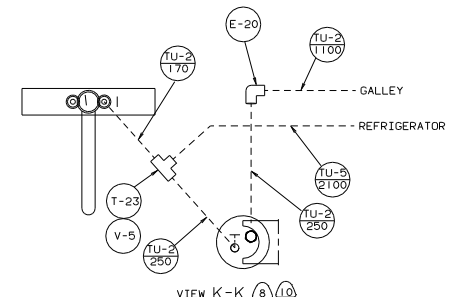
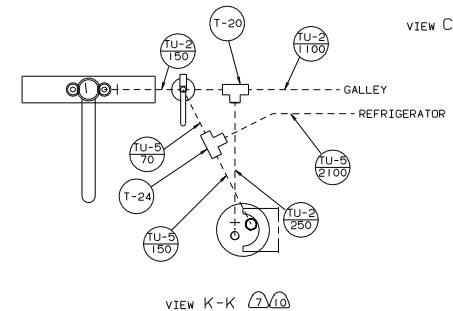
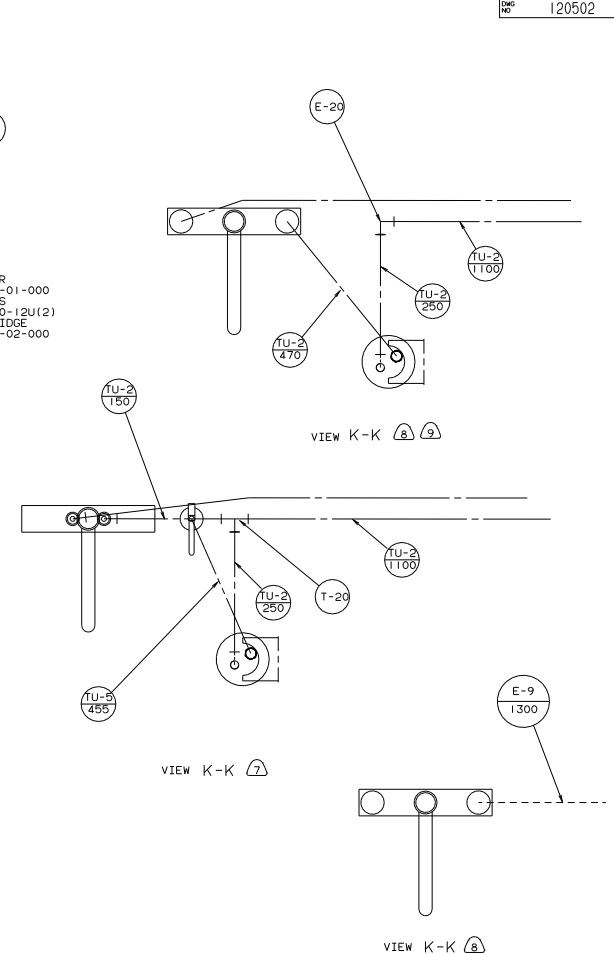
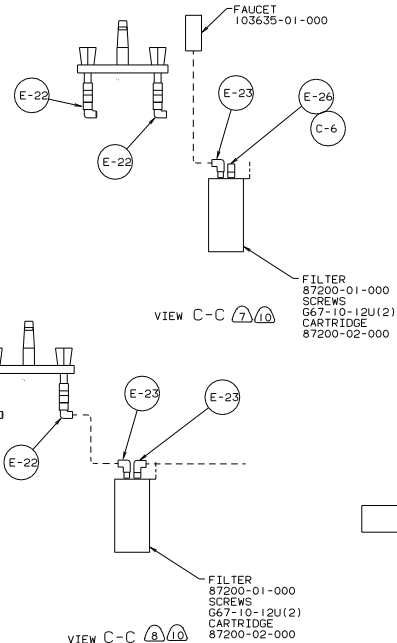
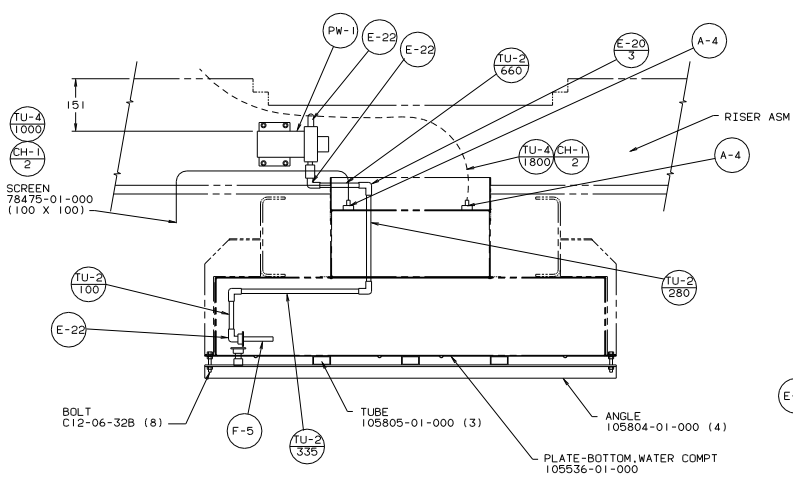
WINNEGAGO 96 G34R0. PUSH

DATE	UNSPECIFIED TOLERANCES ARE:	MATERIAL
CHG#	WHOLE DIM (IN)	FR
DATE	ONE-PLACE (IN.X1)	FR
DATE	TWO-PLACE (IN.XXX)	FR
DATE	THREE-PLACE (IN.XXXX)	FR
DATE	THREE-PLACE PROJECTION	FR

LANE# GK34R06 TITLE: WATER SYSTEM INSTL
 DIA # SCALE: NONE 30 NET SCALE DRAWING SHEET 1 OF 3
 ALL DIMENSIONS ARE IN MILLIMETERS

FOR WATER CALLOUTS SEE DWG NO. 116230-01-000

REF: 116303 B 1



TITLE: WATER SYSTEM INSTL		DWG NO: 120502	
30 MIL SCALE DRAWING	REV	DATE	BY
SHEET 3 OF 3	1		

96 G34R0, PUSH