

- 7 VENT PIPE MUST BE PROJECTED 51 TO 64 MAXIMUM ABOVE ROOF FOR PROPER FIT AND FUNCTION.
- 6 SEE DRAWING 61607-01-000 FOR INSTALLATION OF GROMMET.
5. SEAL ALL AROUND SHOWER WITH SILICONE 78474-01-CHT.
4. FOR CANADIAN UNITS EACH HOLDING TANK SHALL HAVE A CSA APPROVAL STAMPED NEAR IAPMO APPROVAL.
3. ALL PIPE AND FITTINGS TO BE ASSEMBLED WITH SOLVENT 4020-01-000.
2. SLOPE OF TRAP MUST BE 6 PER 300 MINIMUM.
1. SLOPE OF HORIZONTAL PIPING TO BE 6 PER 300 MINIMUM.

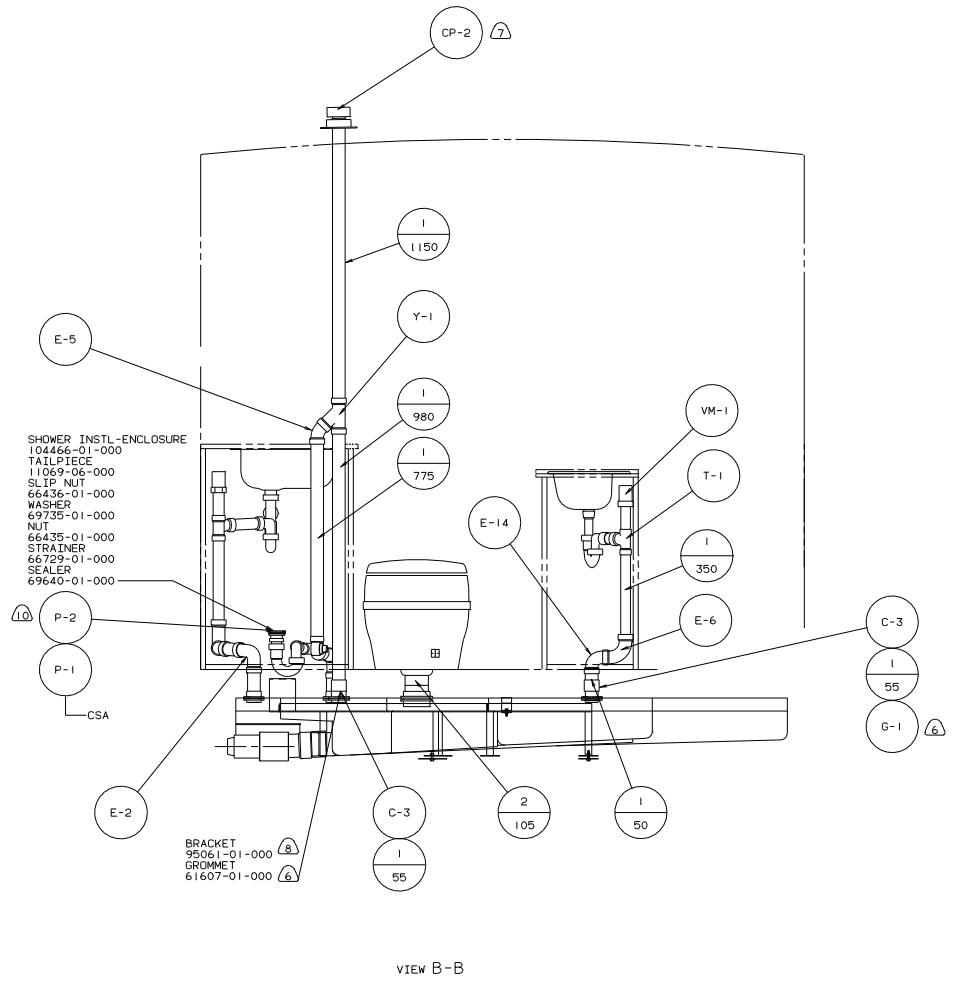
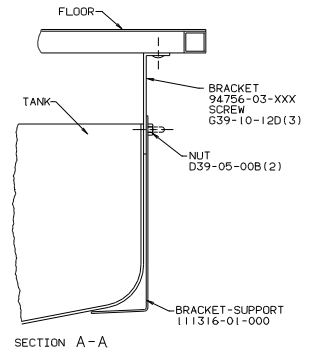
- 10 NOT USED ON CANADIAN UNIT.
- 9 TRIM P-TRAP EXTENSION TO FIT.
- 8 SECURE VENT TUBES TO FLOOR.

X-X FOR DRAINAGE CALLOUTS SEE DWG NO. 116229-01-000

WINNAGO 94 G34RA

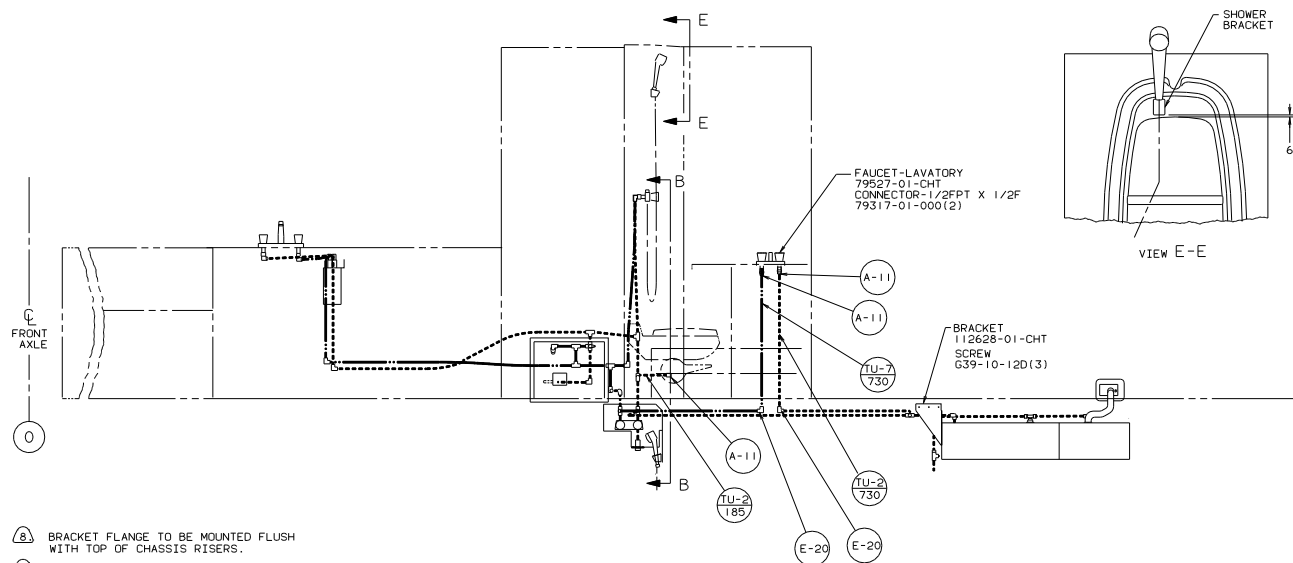
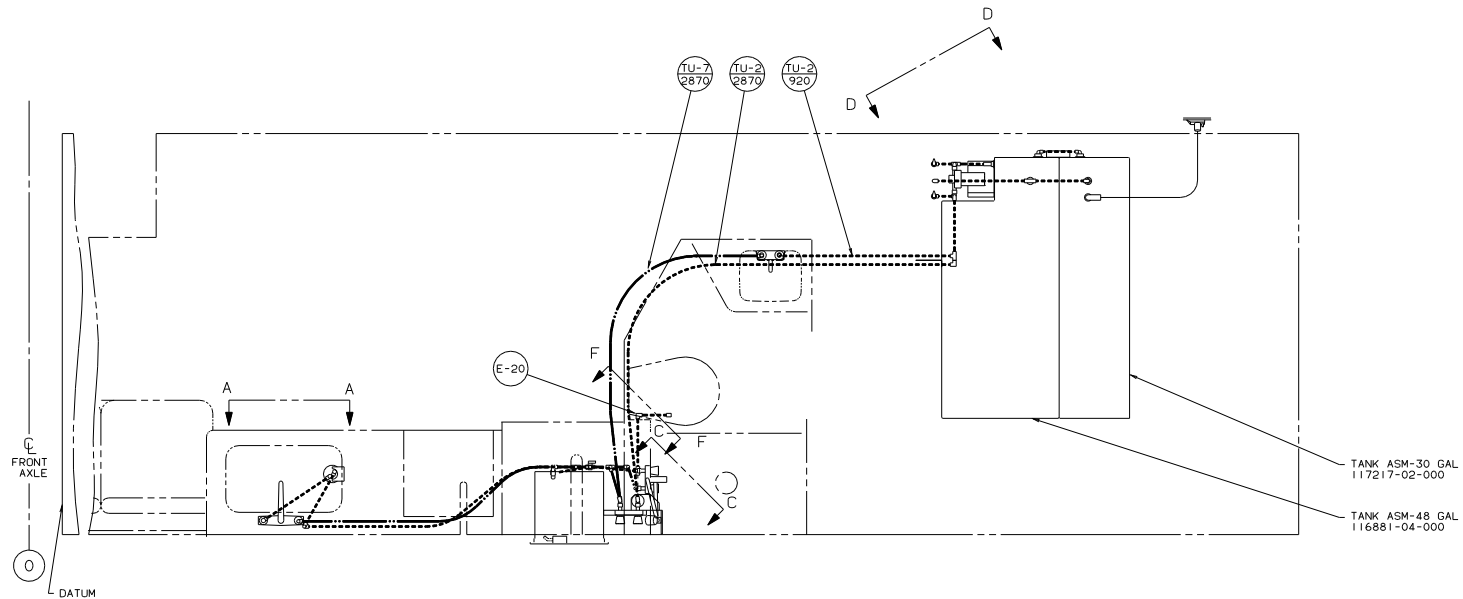
QTY	UNSPECIFIED TOLERANCES ARE	MATERIAL
CHRS	UNLESS OTHERWISE SPECIFIED	
FIN	ONE-PLATE, 1/8" X 1/8"	
DR	FACE-PLATE, 1/8" X 1/8"	
DR	ANGLE	
CONC	SHOULDER ANGLE PROJECTION	

LAVATORY GGEN94 TITLE: DRAINAGE SYSTEM INSTL
 94 G34RA
 001 OF 2 SHEET 1 OF 2 REF: 104618 111675



94 G34RA

TITLE		DRAWING NO	
DRAINAGE SYSTEM INSTL		111675	
30 NET SCALE DRAWING	1 E	SHEET 2 OF 2	1

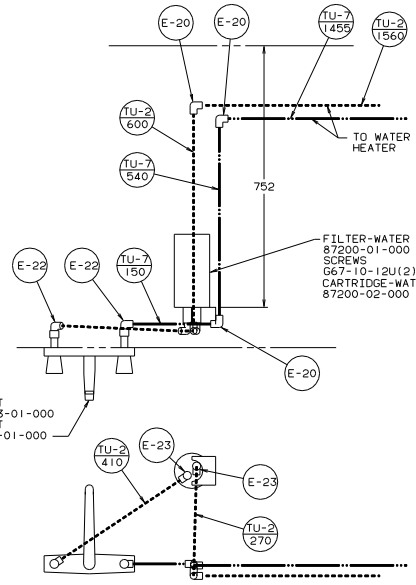


- ④ BRACKET FLANGE TO BE MOUNTED FLUSH WITH TOP OF CHASSIS RISERS.
 - ⑦ CLAMP MUST BE ON BARBS.
 - ⑥ USE WITHOUT MOTOR AID.
 - ⑤ USE WITH MOTOR AID.
 - ④ LOCATE LUMBER TO SUPPORT WATER HEATER.
3. ALL TUBING TO BE SECURED AT 1200 INTERVALS MAX WITH CLIP 91951-01-000 AND SCREW G13-06-16U.
2. TUBING TO BE INSTALLED WITH SUFFICIENT SLOPE TO PROVIDE DRAINAGE TO NEAREST VALVE.
1. PLASTIC FITTINGS TO BE SEALED WITH SEALANT 84456-01-000.

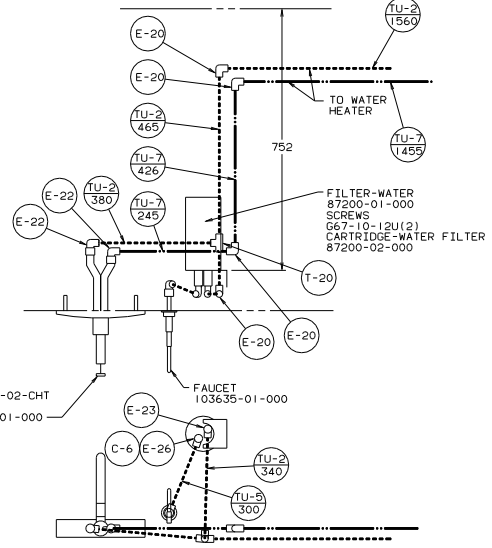
LEGEND	
HOT	—————
COLD	-----

X-X FOR WATER CALLOUTS SEE DWG NO. 116230-01-000

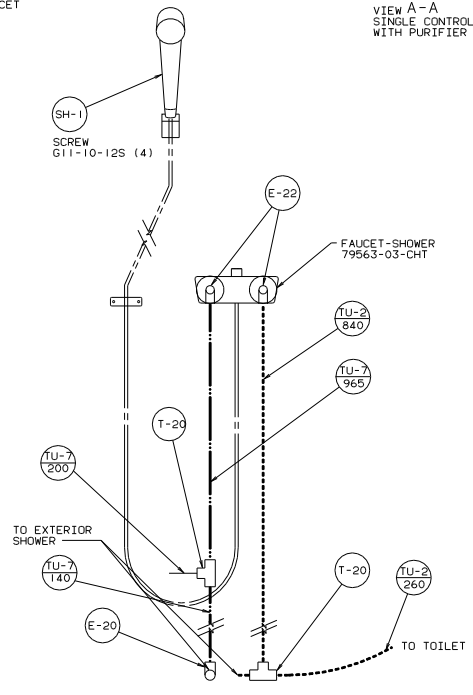
		96 G34RA	
		UNDESIGNED TOLERANCES ARE: MATERIAL WHOLE DIM (IN) ± .1 ONE-PLACE (IN) ± .01 TWO-PLACE (IN) ± .005 ANGLE ± .005 THRU HOLE PROJECTION	
PART NO: G34RA DIA # SCALE: NONE ALL DIMENSIONS ARE IN MILLIMETERS	TITLE: WATER SYSTEM INSTL SHEET 1 OF 3 DATE: 119716	REF: 118072 A 1	



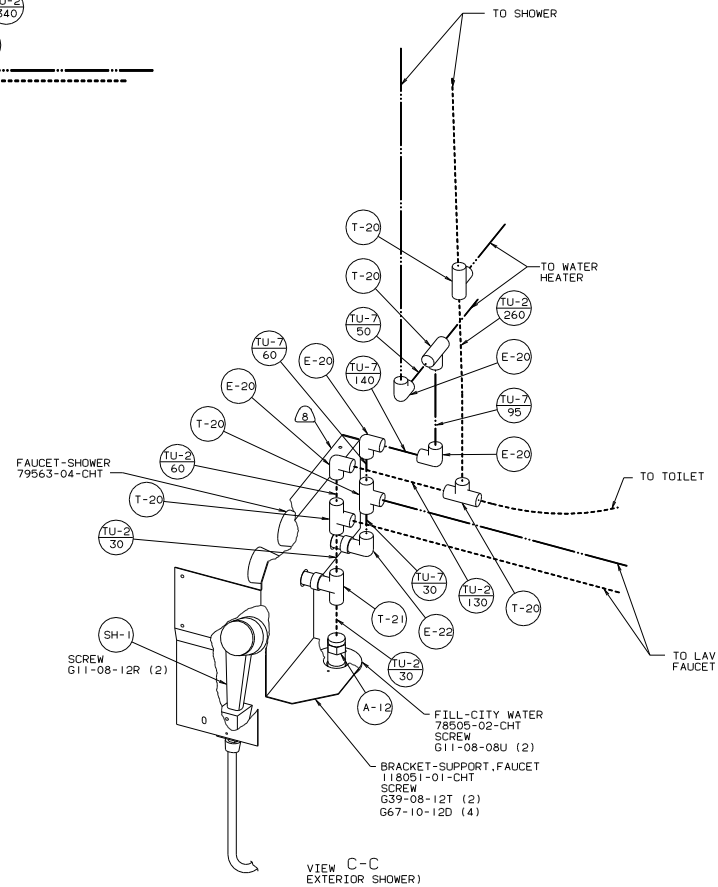
VIEW A-A
DUAL CONTROL FAUCET
WITH PURIFIER



VIEW A-A
SINGLE CONTROL FAUCET
WITH PURIFIER



VIEW B-B



VIEW C-C
EXTERIOR SHOWER)

