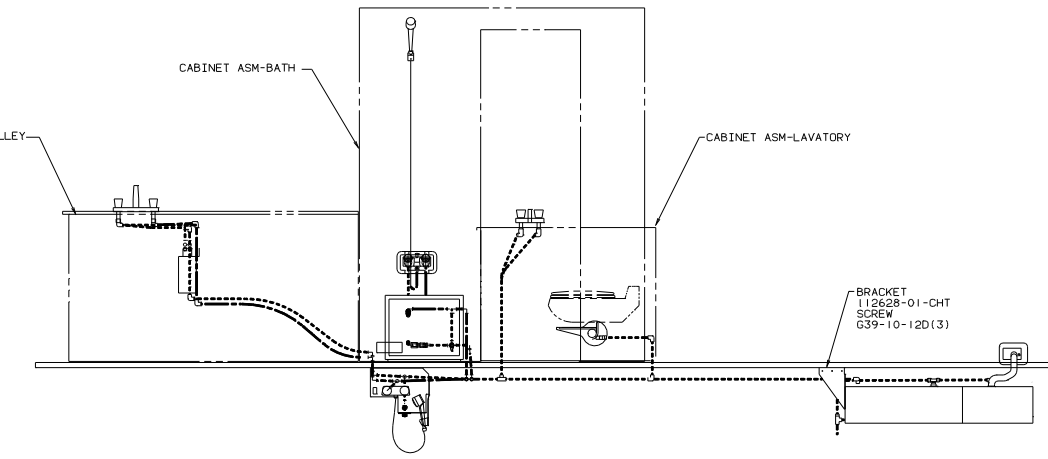


FRONT AXLE

0



FRONT AXLE

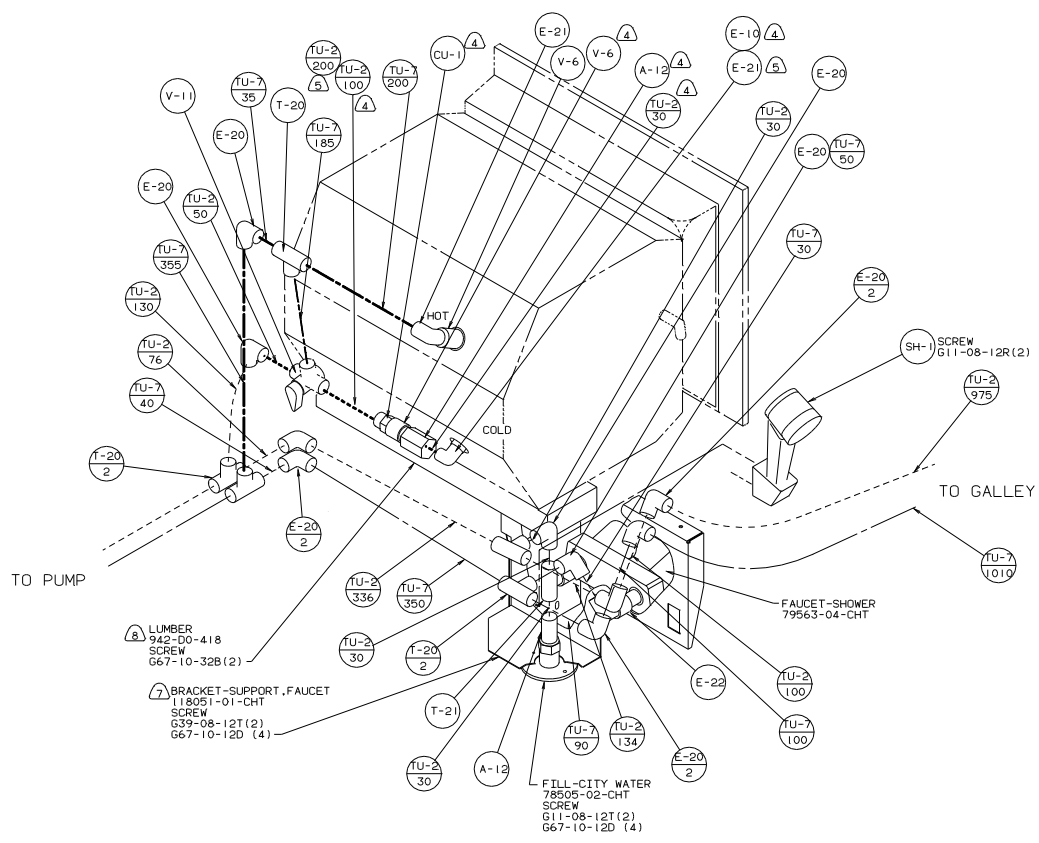
0

- (8) LOCATE LUMBER TO SUPPORT WATER HEATER.
 - (7) BRACKET FLANGE TO BE FLUSH WITH TOP OF CHASSIS RISERS.
 - (6) CLAMP MUST BE ON BARBS.
 - (5) USE WITHOUT MOTOR AID.
 - (4) NOT USE WITH MOTOR AID.
3. ALL TUBING TO BE SECURED AT 1200 INTERVALS MAX WITH CLAMP 10495-01-000 OR CLIP 91951-01-000 AND SCREW G67-10-12B.
2. TUBING TO BE INSTALLED WITH SUFFICIENT SLOPE TO PROVIDE DRAINAGE TO NEAREST VALVE.
1. PLASTIC FITTINGS TO BE SEALED WITH SEALANT 84456-01-000.

LEGEND	
HOT	—————
COLD	-----

FOR WATER CALLOUTS SEE DWG NO. 116230-01-000

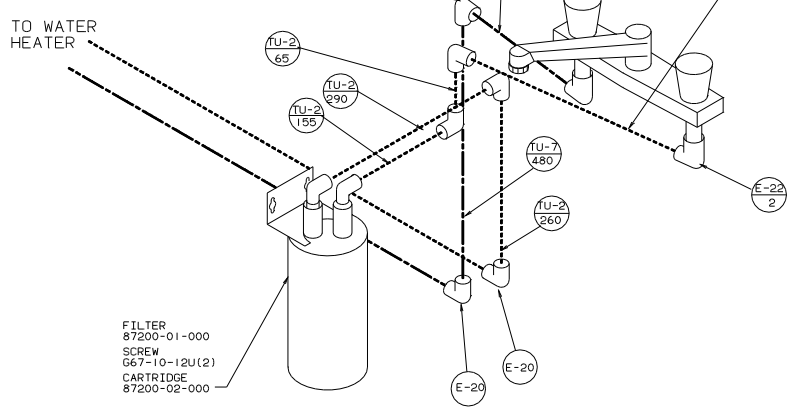
WINNERAGO 96 G32W0	
QTY	UNSPECIFIED TOLERANCES ARE MATERIAL
CHRP	ANGLE DIM 181
FR	ONE-PLACE 19 811
FR	TWO-PLACE 19 881
FR	ANGLE
CDIR	TRUSS ANGLE PROJECTION
LAYOUT NO. G32W0	TITLE: WATER SYSTEM INSTL
REV. 1	SCALE: NONE
NO. NET SCALE DRAWING	SHEET 1 OF 3
ALL DIMENSIONS ARE IN MILLIMETERS	DATE 120171



- 8 LUMBER
942-00-418
SCREW
G67-10-328 (2)
- 7 BRACKET-SUPPORT, FAUCET
118051-01-CHT
SCREW
G39-08-12T (2)
G67-10-12D (4)

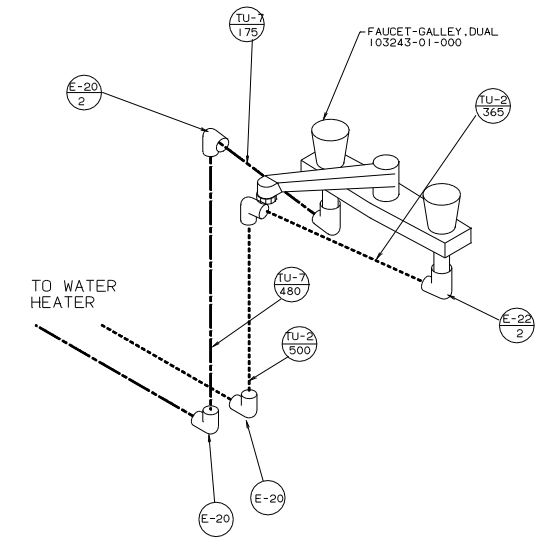
FILL-CITY WATER
78505-02-CHT
SCREW
G11-08-12T (2)
G67-10-12D (4)

DETAIL A



FILTER
87200-01-000
SCREW
G67-10-12U (2)
CARTRIDGE
87200-02-000

DETAIL D
(WITH PURIFIER)



DETAIL D
(WITHOUT PURIFIER)

TITLE		WATER SYSTEM INSTL	
30 NET SCALE DRAWING	SIZE	1/4	1/2
SHEET 3	OF 3	1	1
		120171	