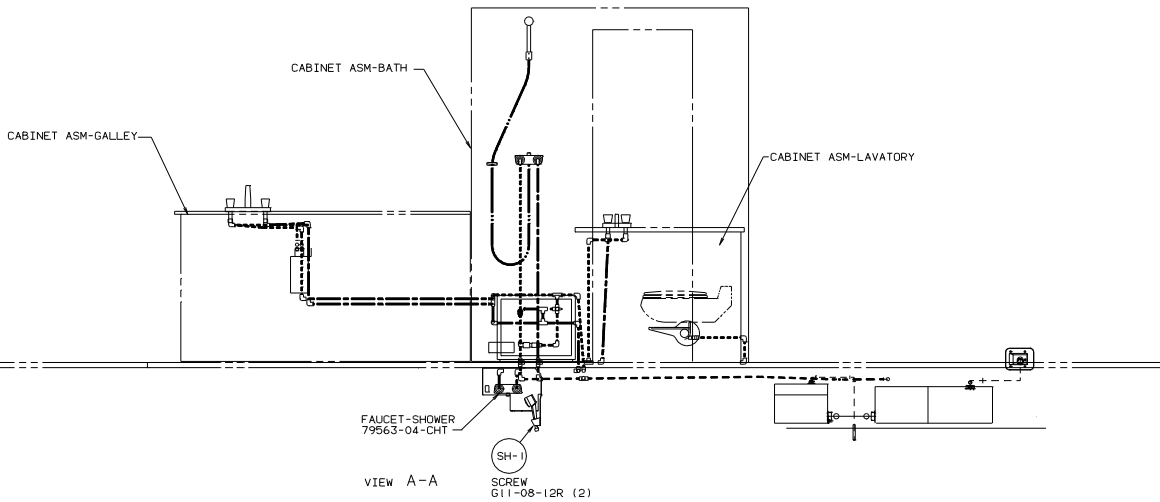


FRONT AXLE  
 O

FRONT AXLE  
 O



VIEW A-A  
 SH-1 SCREW 611-08-12R (2)

4. BRACKET FLANGE TO BE MOUNTED FLUSH WITH TOP OF CHASSIS RISERS.
3. ALL TUBING TO BE SECURED AT 1200 INTERVALS MAX WITH CLAMP 10495-01-000 OR CLIP 91951-01-000 AND SCREW G67-10-12B.
2. TUBING TO BE INSTALLED WITH SUFFICIENT SLOPE TO PROVIDE DRAINAGE TO NEAREST VALVE.
1. PLASTIC FITTINGS TO BE SEALED WITH SEALANT 84456-01-000.

LEGEND

HOT	—————
COLD	-----

FOR WATER CALLOUTS SEE DWG NO. 116230-01-000

WINNEGAGO		96 G32R0
QTY	UNSPECIFIED TOLERANCES ARE	MATERIAL
CHAM	WHOLE DIM. 1ST	
FIN	ONE-PLACE 1X .01	
FIN	TWO-PLACE 1X .001	
FIN	ANGLE	
FIN	TRUSS ANGLE	
FIN	PROJECTION	
LARNT NO. G32R0	TITLE: WATER SYSTEM INSTL	
REV. 1	SCALE: NONE	DATE: 11/01/00
ALL DIMENSIONS ARE IN MILLIMETERS	SHEET 1 OF 3	DWG NO. 120298

