

WATER HEATER
 B1391-03-000
 S1393-01-000
 DOOR
 78506-01-CHT
 GARNISH
 2726-01-210 (2)
 2726-01-212 (2)
 SCREW
 G39-10-209 (18)
 SEALANT
 LUMBER
 942-00-418
 SCREW
 G676-10-32B (2)

SH-1
 SCREW
 G11-10-12B (2)

PANEL-SHOWER
 78498-01-CHT

FAUCET-TUB/SHOWER
 78503-01-CHT

FAUCET-GALLEY, DUAL
 103243-01-000

SHOWER SURROUND

FAUCET-LAVATORY
 79527-01-CHT

BRACKET
 112628-01-CHT
 SCREW
 G39-10-12D(3)

TANK ASM. 30 GAL
 117217-02-000

TANK ASM. 40 GAL
 116881-04-000

FRONT AXLE

FRONT AXLE

- (6) NOT USED WITH MOTOR AID.
- (5) CLAMP MUST BE ON BARBS.
- (4) USE WITH MOTOR AID ONLY.

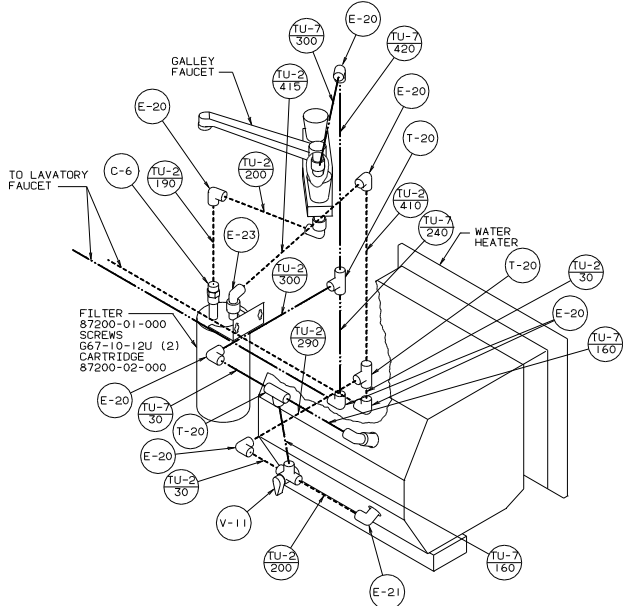
3. ALL TUBING TO BE SECURED AT 1200 INTERVALS MAXIMUM WITH CLAMP 10495-01-000 OR CLIP 91951-01-000 AND SCREW G67-10-12B.
2. TUBING TO BE INSTALLED WITH SUFFICIENT SLOPE TO PROVIDE DRAINAGE TO NEAREST VALVE.
1. PLASTIC FITTINGS TO BE SEALED WITH SEALANT 84456-01-000.

NOTES:

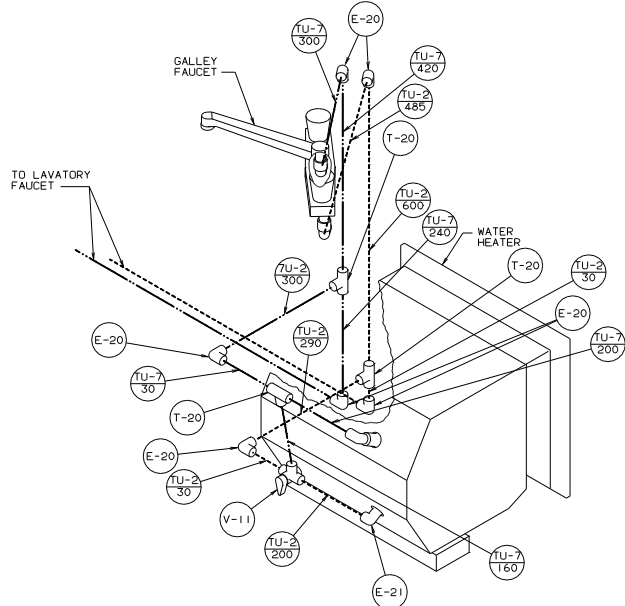
FOR WATER CALLOUTS SEE DWG NO. 116230-01-000

LEGEND	
HOT	—————
COLD	-----

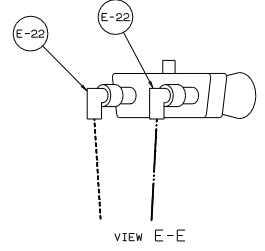
WINNERAGO		96 G30WD
OPTN	UNSPECIFIED TOLERANCES ARE	MATERIAL
CHRP	WHOLE DIM. IN 1/8"	
FR	ONE-PLACE IN 3/16"	
FIN	ANGLE	
DR	TRUSS W/ANGLE	
PROTECT		
LARGEST DIM. G30WD	TITLE: WATER SYSTEM INSTL	
REV #	SCALE	NOTE
1	1:1	DO NOT SCALE DRAWING
ALL DIMENSIONS ARE IN MILLIMETERS	SHEET 1 OF 3	DATE 11 11 12
	REF: 116562	120642



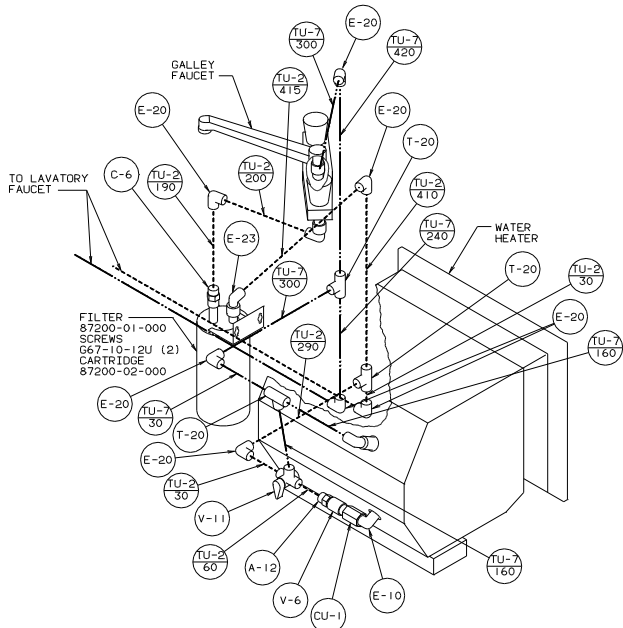
VIEW A-A
WITH FILTER AND
WITHOUT MOTOR AID



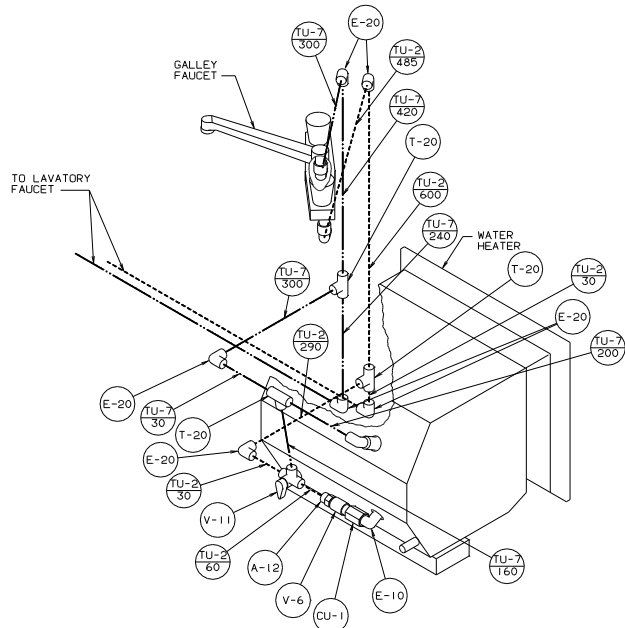
VIEW A-A
WITHOUT FILTER AND
WITHOUT MOTOR AID



VIEW E-E



VIEW A-A
WITH MOTOR AID
AND FILTER



VIEW A-A
WITH MOTOR AID
WITHOUT FILTER

TITLE		96 G30WD	
WATER SYSTEM INSTL		120642	
30 NET SCALE DRAWING	SIZE	DATE	REV
SHEET 2 OF 3	1.6		

