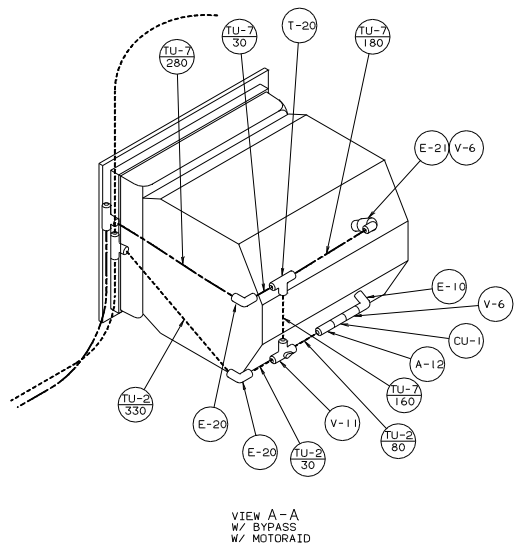
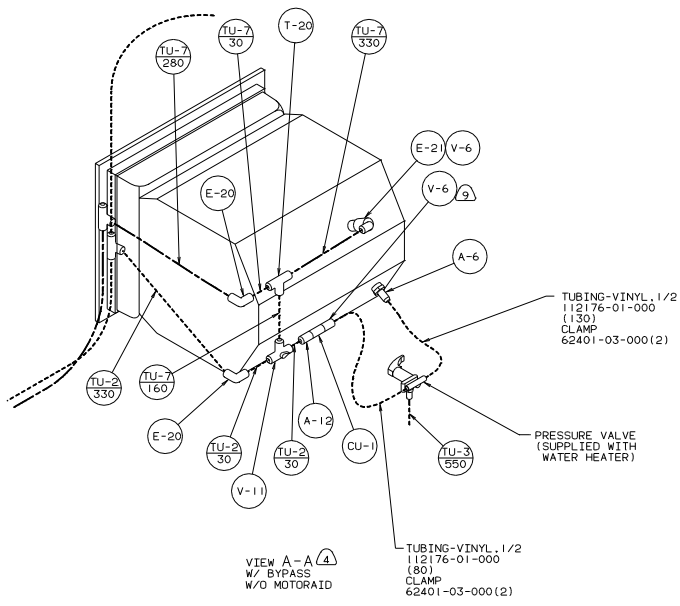
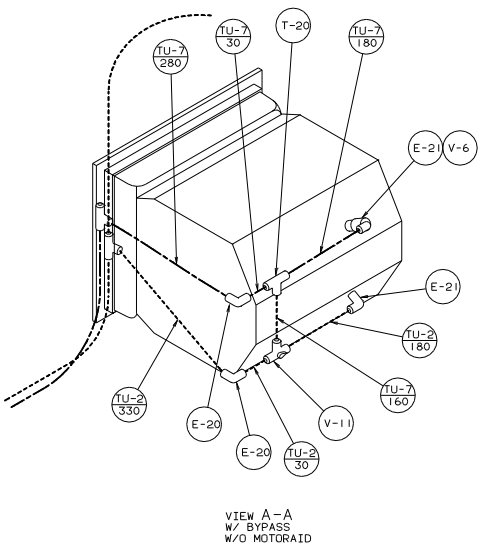
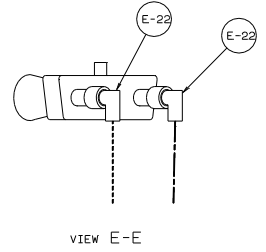
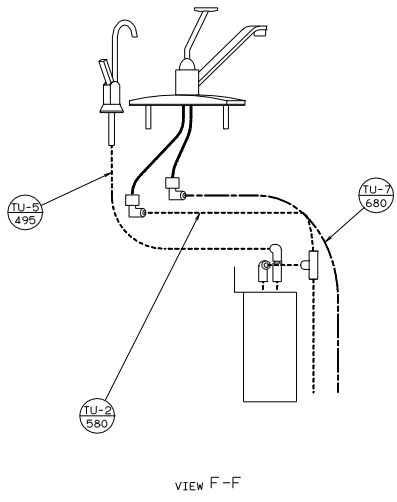
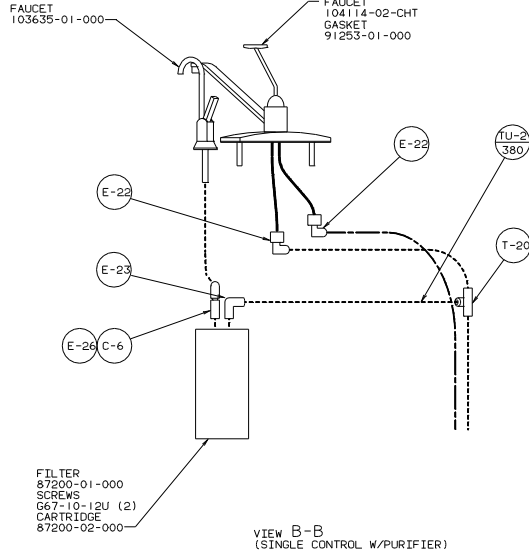


- (6) USE WITH MOTOR AID.
 - (5) CLAMP MUST BE ON BARBS.
 - (4) USE WITH W.I.E. EXPORT PREP PACKAGE.
3. ALL TUBING TO BE SECURED AT 1200 INTERVALS MAXIMUM WITH CLAMP 10495-01-000 OR CLIP 91951-01-000 AND SCREW G67-10-12B.
2. TUBING TO BE INSTALLED WITH SUFFICIENT SLOPE TO PROVIDE DRAINAGE TO NEAREST VALVE.
1. PLASTIC FITTINGS TO BE SEALED WITH SEALANT 84456-01-000.

FOR WATER CALLOUTS SEE DWG NO. 116230-01-000

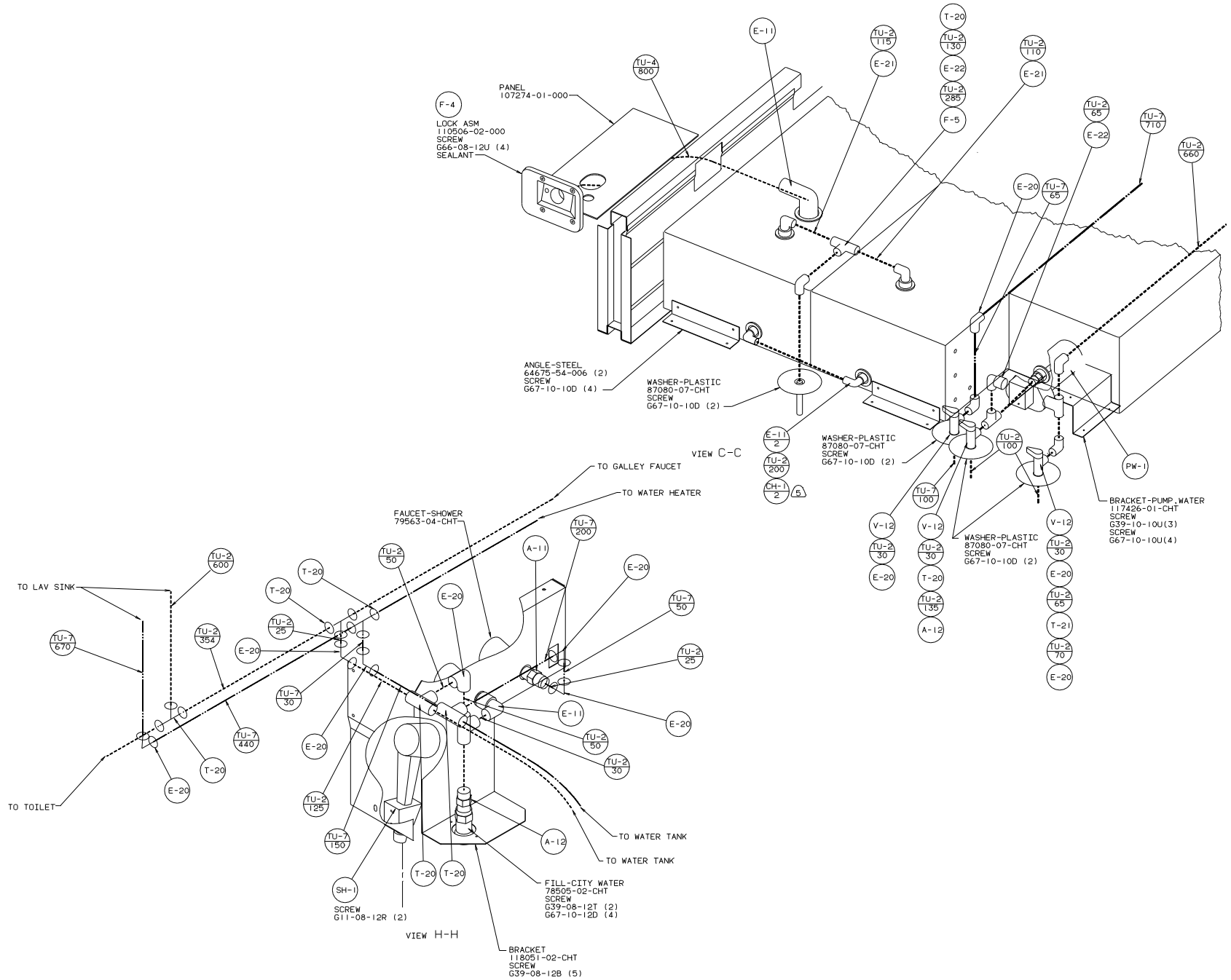
LEGEND	
HOT	—————
COLD	-----

PART NO. G29R06		TITLE: WATER SYSTEM INSTL	
DATE	SCALE	SHEET	NO
11/68	1:1	1	3
WINNBERG		96 G29R0	
UNSPECIFIED TOLERANCES ARE:		MATERIAL	
CHDR	WHOLE DIM. (X)	.0005	
DR	ONE-PLACE (X)	.001	
FR	TWO-PLACE (X)	.002	
FIN	THREE-PLACE (X)	.005	
COLR	THREE-PLACE (X)	.005	



96 G29R0

TITLE		DATE	
WATER SYSTEM INSTL		120601	
30 NET SCALE DRAWING	SHEET	DATE	DESIGN NO
2 OF 3	2		120601



F-4
LOCK ASM
110906-02-000
SCREW
G66-08-12U (4)
SEALANT

PANEL
107274-01-000

ANGLE-STEEL
64675-54-006 (2)
SCREW
G67-10-10D (4)

WASHER-PLASTIC
87080-07-CHT
SCREW
G67-10-10D (2)

WASHER-PLASTIC
87080-07-CHT
SCREW
G67-10-10D (2)

FAUCET-SHOWER
79563-04-CHT

BRACKET-PUMP WATER
117426-01-CHT
SCREW
G39-10-10U(3)
SCREW
G67-10-10U(4)

FILL-CITY WATER
78505-02-CHT
SCREW
G39-08-12T (2)
G67-10-12D (4)

BRACKET
118051-02-CHT
SCREW
G39-08-12B (5)

96 G29R0	
TITLE: WATER SYSTEM INSTL	
30 NET SCALE DRAWING	REV 1
SHEET 3 OF 3	DATE 11/01/01