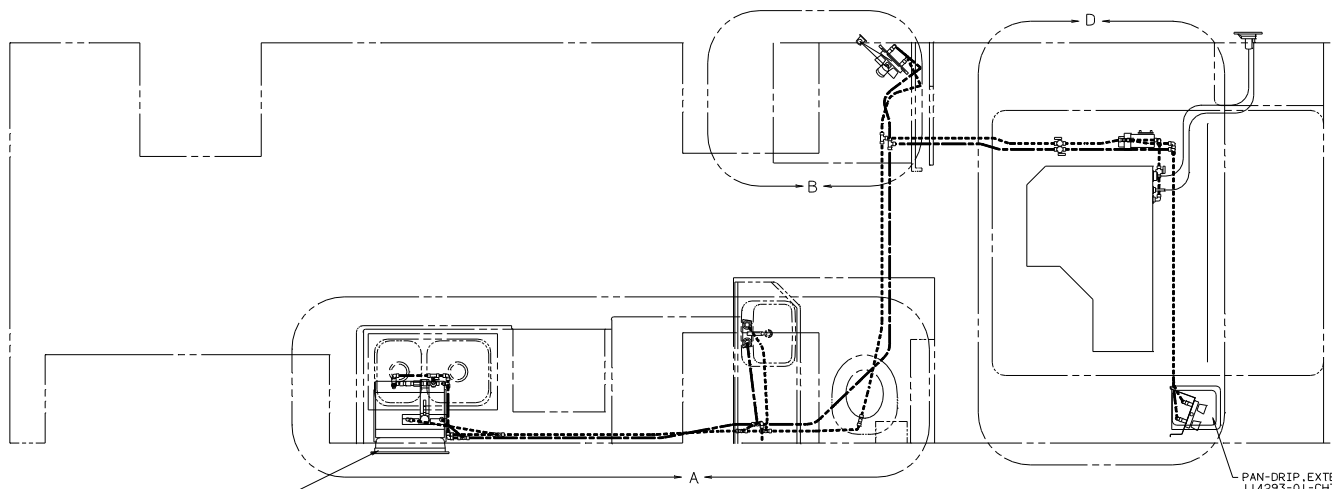


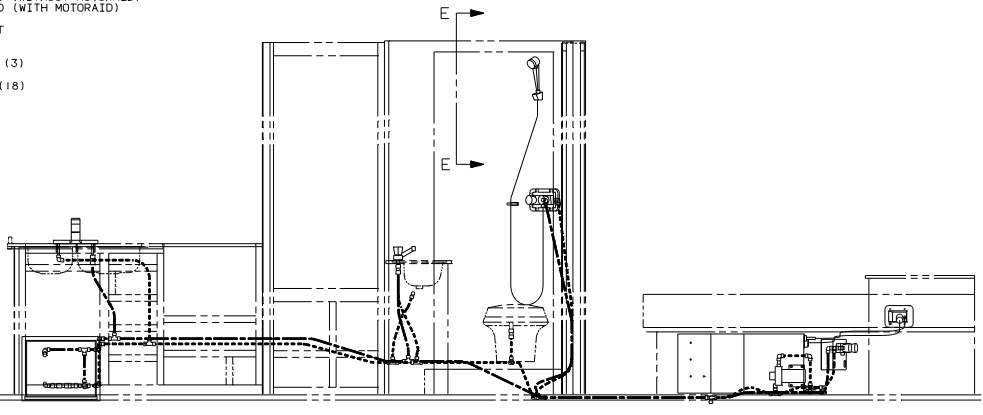
- Ⓐ VENT PIPE MUST PROJECT 51 MIN TO 64 MAX ABOVE ROOF FOR PROPER FIT AND FUNCTION.
 - Ⓙ SEE DWG 61607-01-000 FOR INSTL OF GROMMET.
 - Ⓜ SEAL ALL AROUND SHOWER PAN WITH SILICONE 78474-01-CHT.
5. FOR CANADIAN UNITS EACH HOLDING TANK SHALL HAVE A CSA APPROVAL STAMPED NEAR THE IAPMO APPROVAL.
 4. ALL EXTERIOR OPENINGS AROUND PIPE TO BE SEALED WITH 69637-01-000.
 3. ALL PIPE AND FITTINGS TO BE ASSEMBLED WITH SOLVENT 4020-01-000.
 2. SLOPE OF TRAP MUST BE 6 PER 300 MINIMUM.
 1. SLOPE OF HORIZONTAL PIPING TO BE 6 PER 300 MINIMUM.

WINNAPCO 94 F31RO	
QTY	UNSPECIFIED QUANTITIES ARE MATERIAL
CHP	WALL ONE (1)
PL	ONE-PLATE (1)
PL	TWO-PLATE (1)
PL	WALL
CON	TWO-WALL PROTECTION
LABOR NONE	TITLE: DRAINAGE SYSTEM INSTL
REV #	SCALE: NONE
ALL DIMENSIONS ARE IN MILLIMETERS	SHEET 1 OF 1
REF: 106181	111240



- WATER HEATER
 51391-03-000 (WITHOUT MOTOR AID)
 51393-01-000 (WITH MOTOR AID)
- DOOR
 78506-01-CHT
- EXTR
 2726-01-210
 2726-01-212 (3)
- SCREW
 G39-10-209 (18)
- SEALANT
 PLYWOOD
 860-01-000
 (300 X 200)

PAN-DRIP, EXTERIOR
 114293-01-CHT



○
 C
 FRONT AXLE

○
 C
 FRONT AXLE

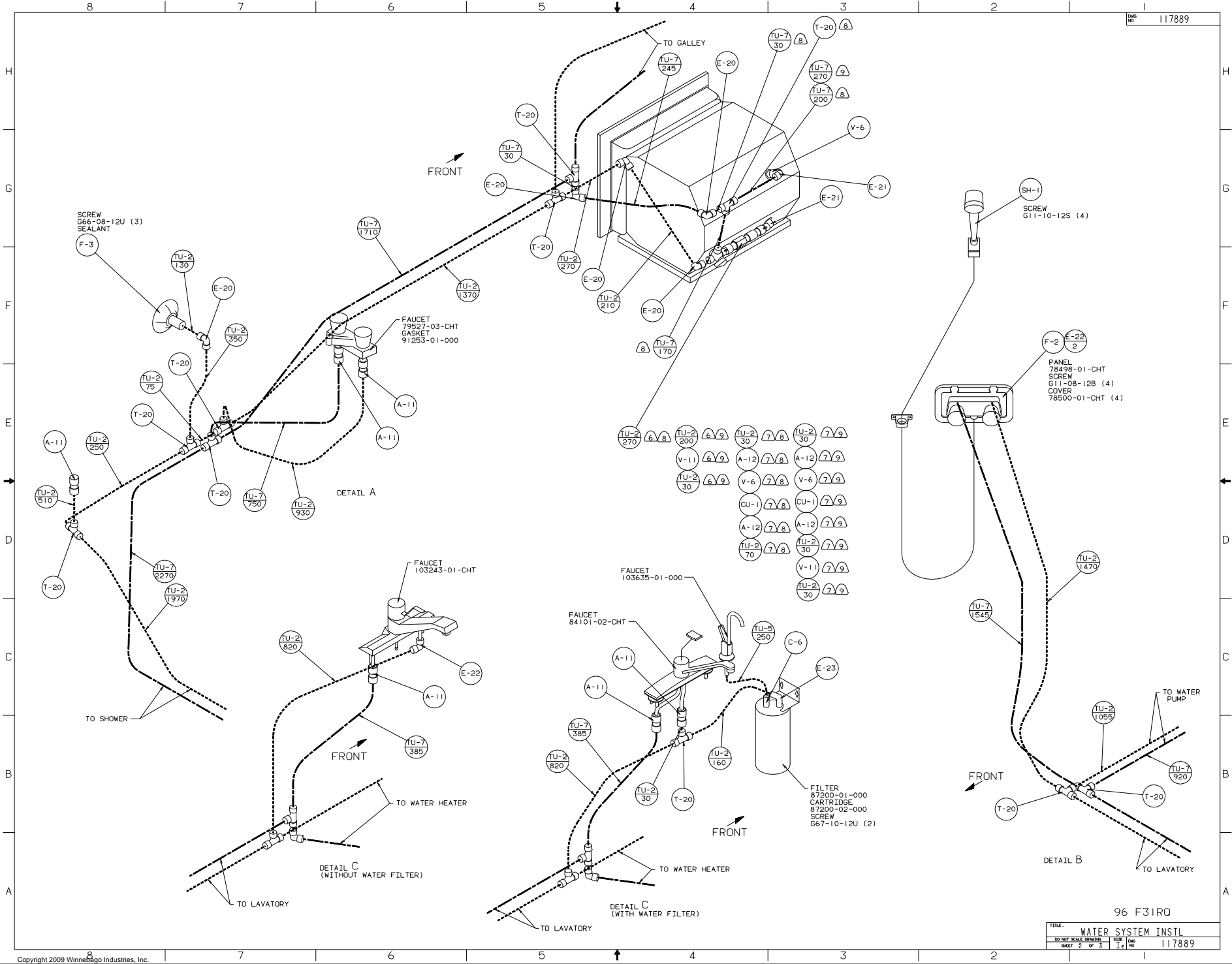
- ② USE WITH BYPASS.
- ③ USE WITHOUT BYPASS.
- ⑦ USE WITH MOTOR AID.
- ⑧ USE WITHOUT MOTOR AID.
- ⑤ USE WITH EXTERIOR SHOWER.
- ④ USE WITHOUT EXTERIOR SHOWER.
- 3. ALL TUBING TO BE SECURED AT 12" MAXIMUM SPACING WITH CLAMP 10495-01-000 AND SCREW G67-10-12B.
- 2. PLASTIC FITTING TO BE SEALED WITH SEALANT 84456-01-000.
- 1. TUBING TO BE INSTALLED WITH SUFFICIENT SLOPE TO PROVIDE DRAINAGE TO NEAREST VALVE.

NOTES:

(X-X) FOR WATER CALLOUTS SEE DWG NO. 116230-01-000

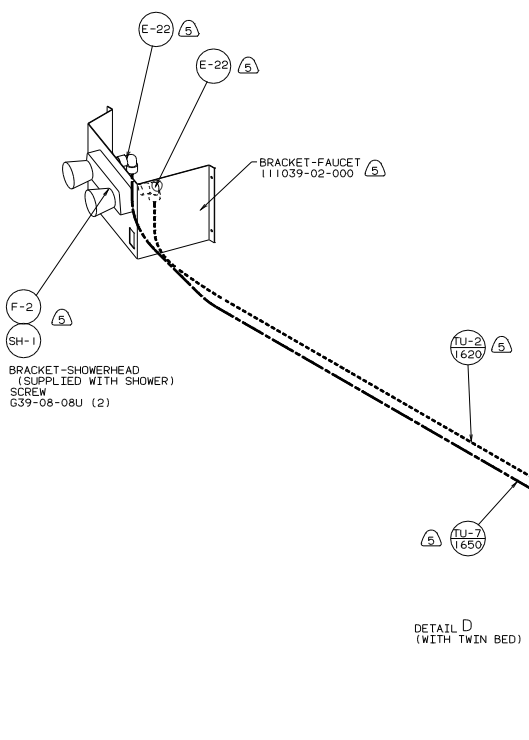
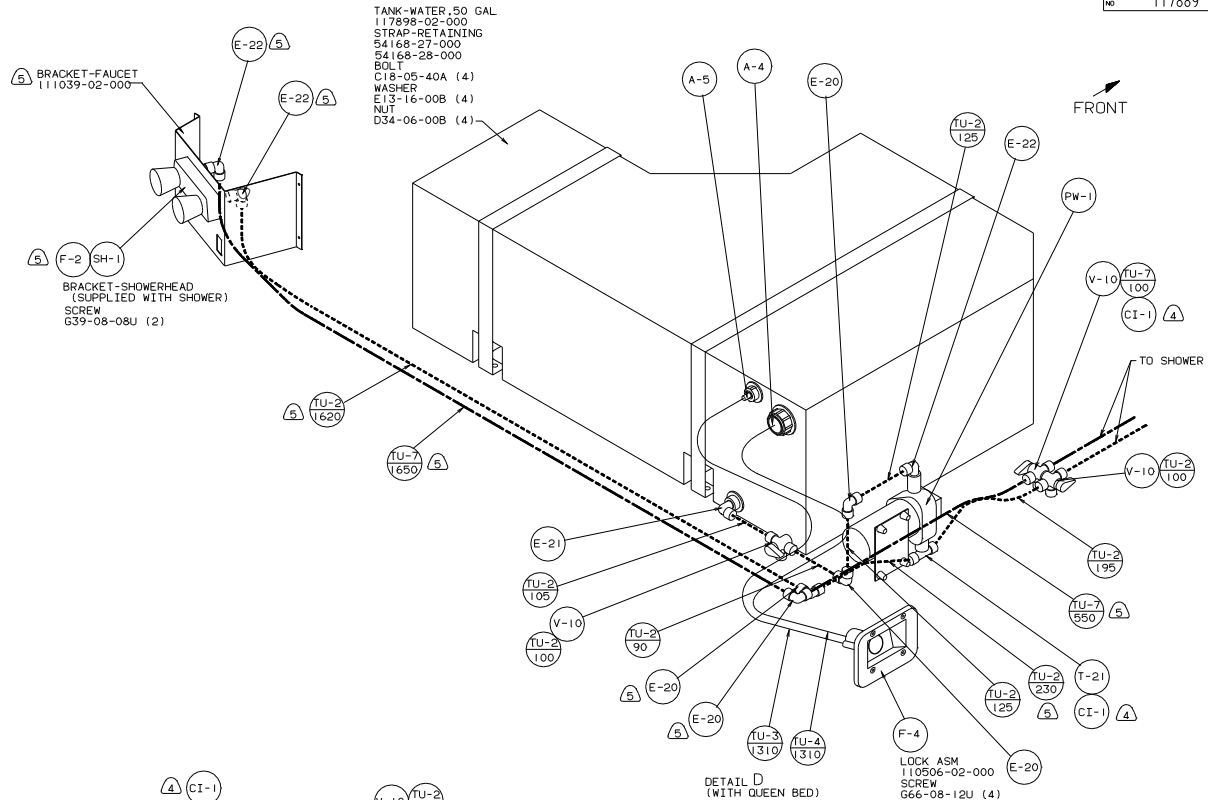
LEGEND	
HOT	—————
COLD	-----

WINNEBAGO		96 F31R0
QTY IN	UNSPECIFIED TOLERANCES ARE	MATERIAL
CHRP	WHOLE ONE (1)	" F
FWE	ONE-PLACE (1)	" F
WLE	TWO-PLACE (1)	" F
WLE	WHOLE	" F
CDR	TWO WHOLE	" F
CDR	PRODUCTION	" F
LAINT F31R0	TITLE: WATER SYSTEM INSTL	
REV. 1	SCALE: NONE	DATE: 11/17/89
ALL DIMENSIONS ARE IN MILLIMETERS	SHEET 1 OF 3	117889



TU-2	6	8	TU-2	6	9	TU-2	7	8	TU-2	7	9
TU-2	270		TU-2	200		TU-2	30		TU-2	30	
V-11	6	9	A-12	7	8	A-12	7	9	V-6	7	9
TU-2	30		V-6	7	8	V-6	7	9	CU-1	7	9
			A-12	7	8	A-12	7	9	TU-2	30	
			TU-2	70		TU-2	30		V-11	7	9
									TU-2	30	

96 F31RQ	
TITLE WATER SYSTEM INSTL	
30 NET SCALE DRAWING	SIZE 11E
SHEET 2 OF 3	117889



96 F31RQ	
TITLE: WATER SYSTEM INSTL	
30 NET SCALE DRAWING	SIZE 11E
SHEET 3 OF 3	117889