

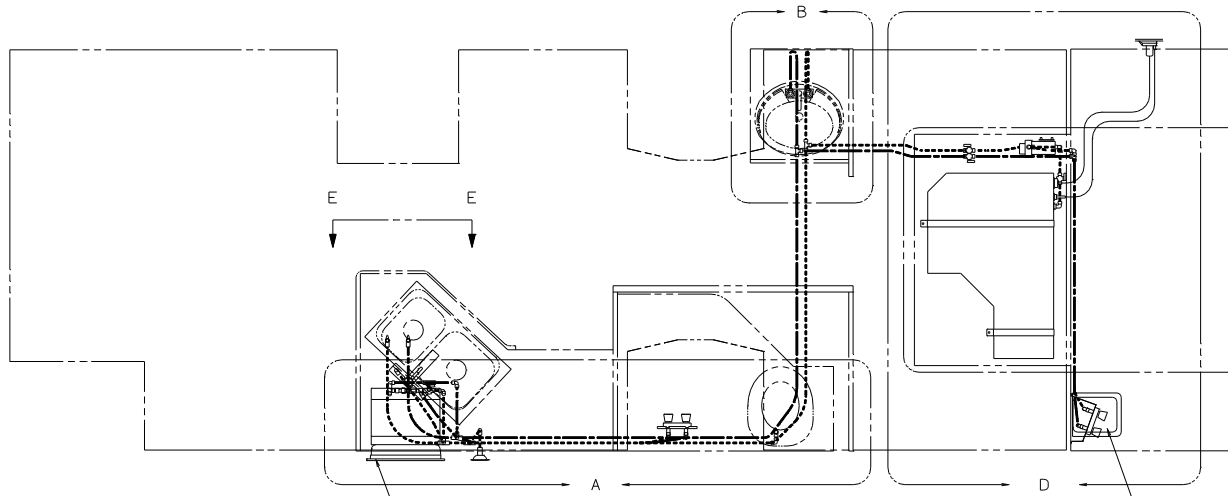
- SINK 110654-01-000 (US/CAN)
- RETAINER 105497-01-000(2)
- 105497-02-000(4)
- SCREW 067-05-10U(22)
- STRAINER W/BASKET 92303-01-000(2)
- SEALER 69640-01-000

- 11. TRIM P-TRAP EXTENSION TO FIT.
- 10. SECURE VENT TUBES TO FLOOR.
- 9. VENT PIPE MUST PROJECT 51 MM MIN AND 63.5 MM MAX ABOVE ROOF FOR PROPER FIT AND FUNCTION.

- 8. SEE DWG 61607-01-000 FOR INSTL OF GROMMET.
- 7. SEAL ALL AROUND SHOWER WITH SILICONE 78474-01-CHT.
- 6. FOR CAN UNITS EACH HOLDING TANK SHALL HAVE A CSA APPROVAL STAMPED NEAR THE IAMPO APPROVAL.
- 5. EXPOSED PIPE ABOVE ROOF TO BE PAINTED 37163-01-000.
- 4. ALL EXTERIOR OPENINGS AROUND PIPE TO BE SEALED WITH 69637-01-000.
- 3. ALL PIPE AND FITTINGS TO BE ASSEMBLED WITH SOLVENT 4020-01-000.
- 2. SLOPE OF TRAP ARM MUST BE 6 PER 300.
- 1. SLOPE OF HORIZONTAL PIPING TO BE 6 PER 300 MIN.

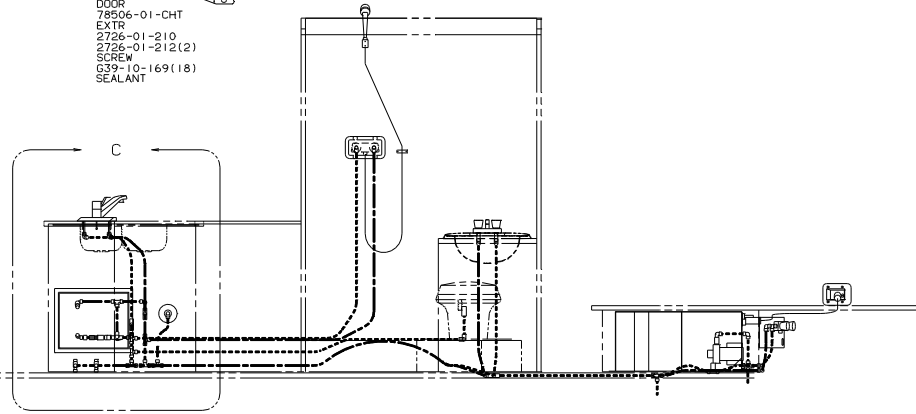
FOR DRAINAGE CALLOUTS SEE DWG NO. 116229-01-000

WINNERAGO 96 F29RQ	
QTR:	UNSPECIFIED TOLERANCES ARE:
CHP:	HOLES DIA (X) .1
FR:	ONE-PLATE (X .X) .1
FR:	TWO-PLATE (X .X) .1
FR:	HOLES
QTR:	DRUG W/OLE PROJECTION
LAUNCH NO:	NONE
TITLE:	DRAINAGE SYSTEM INSTL
DIA OF SCALE:	NONE
30 MET SCALE:	CONFORM
ALL DIMENSIONS ARE IN MILLIMETERS:	SHEET 1 OF 1
REF:	110494 L 1



- WATER-HEATER  
51391-03-000
- 111129-01-000
- 51391-01-000
- DOOR  
78906-01-CHT
- EXTR  
2726-01-210
- 2726-01-212(2)
- SCREW  
G59-10-169(18)
- SEALANT

PAN-DRIP, EXTERIOR  
114293-01-CHT



○  
FRONT AXLE

○  
FRONT AXLE

- ① USE WITH EUROPEAN EXPORT PACKAGE.
  - ② USE WITH BYPASS.
  - ③ USE WITHOUT BYPASS.
  - ④ USE WITH MOTOR AID.
  - ⑤ USE WITHOUT MOTOR AID.
  - ⑥ USE WITH EXTERIOR SHOWER.
  - ⑦ USE WITHOUT EXTERIOR SHOWER.
4. PRESSURE VALVE MUST BE BETWEEN THE WATER HEATER AND CHECK VALVE OR BYPASS KIT.
  3. ALL TUBING TO BE SECURED AT 1219 MAXIMUM SPACING WITH CLAMP 10495-01-000 AND SCREW G67-10-12B.
  2. PLASTIC FITTINGS TO BE SEALED WITH SEALANT 84456-01-000.
  1. TUBING TO BE INSTALLED WITH SUFFICIENT SLOPE TO PROVIDE DRAINAGE TO NEAREST VALVE.

NOTES:

○ X-X FOR WATER CALLOUTS SEE DWG NO. 116230-01-000

LEGEND	
HOT	—————
COLD	-----

<b>WINNERAGO</b> 96 F29R0	
QTY	UNSPECIFIED TOLERANCES ARE MATERIAL
CHP	WELD ONE (1) 1/8"
FR	ONE-PLATE (1) 3/16"
FL	ONE-PLATE (1) 3/32"
DR	WELD
CDR	TRUSS WELD PROTECTION
LARG# F29R04	TITLE: WATER SYSTEM INSTL
REV#	SCALE: NONE
ALL DIMENSIONS ARE IN MILLIMETERS	SHEET 1 OF 4
REF: 114296	118033

SH-1  
SCREW  
G11-10-125(4)

F-2  
E-22  
2

SCREW  
G11-08-12U  
COVER  
78500-01-CHT  
PANEL  
78498-01-CHT

TU-2  
2090

TU-7  
1970

A-11

TU-2  
90

E-20

E-20

TU-2  
60

TU-7  
3365

TU-2  
3435

TO LAVATORY

T-20

TU-2  
30

T-20

TU-2  
30

E-20

F-3

T-20

TU-2  
100

TU-2  
265

T-20

TU-2  
100

T-20

TU-2  
30

TU-7  
860

TU-2  
730

V-12

TU-2  
100

V-12

TU-7  
100

DETAIL A

E-22

TU-7  
780

T-20

E-22

FAUCET-GALLEY  
103243-01-000

FRONT

DETAIL C  
(WITHOUT WATER FILTER)

TU-7  
1450

E-22

E-22

TU-2  
1360

FAUCET-LAVATORY  
79527-03-CHT  
GASKET  
91253-01-000

FRONT

DETAIL B

T-20

T-20

TO SHOWER

FAUCET  
84101-02-CHT

FAUCET  
103635-01-000

FRONT

TU-7  
860

E-20

E-20

TU-2  
100

TU-2  
320

T-20

E-23

C-6

FILTER  
87200-01-000  
CARTRIDGE  
87200-02-000  
SCREW  
667-10-(2U)2

DETAIL C  
(WITH WATER FILTER)

96 F29RQ

TITLE			
WATER SYSTEM INSTL			
30 NET SCALE DRAWING	SIZE	DATE	118033
SHEET 2 OF 4	1 E		

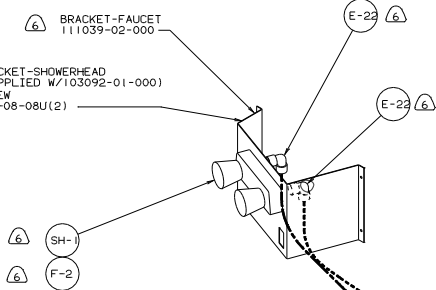
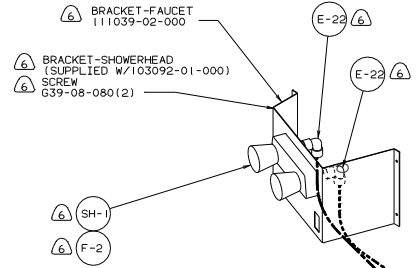
FRONT

FRONT

TANK-WATER, 50 GAL  
 118033-02-000  
 STRAP-RETAINING  
 54168-27-000  
 54168-28-000  
 BOLT  
 C18-05-40A(4)  
 WASHER  
 E13-16-00B(4)  
 NUT  
 D34-06-00B(4)

LOCK ASM  
 110506-02-000  
 SCREW  
 G66-08-12U(4)  
 SEALANT

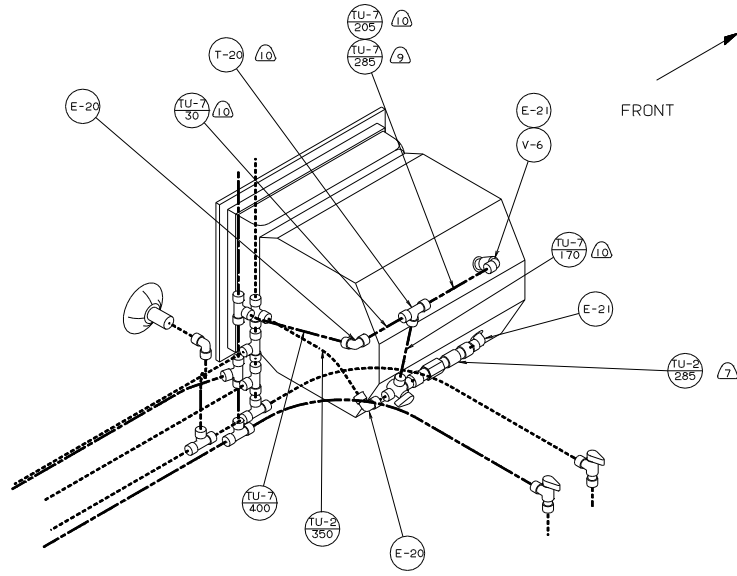
TANK-WATER, 50 GAL  
 117898-03-000  
 STRAP-RETAINING  
 54168-27-000  
 54168-28-000  
 BOLT  
 C18-05-40A(4)  
 WASHER  
 E13-16-00B(4)  
 NUT  
 D34-06-00B(4)



DETAIL D (TWIN BED)

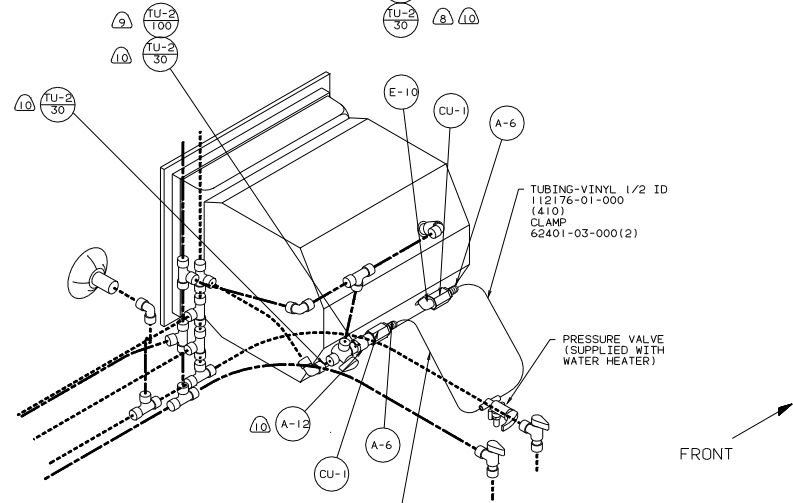
TITLE		WATER SYSTEM INSTL	
30 NET SCALE DRAWING	SIZE	1/4	1/2
SHEET 3	OF 4	1	1

96 F29RO



VIEW E-E

- TU-2 205 (10)
- TU-7 285 (9)
- TU-2 285 (7, 9)
- TU-2 30 (7, 10)
- TU-2 110 (8, 9)
- TU-2 30 (8, 10)
- V-11 (7, 10)
- A-12 (8, 9)
- V-11 (8, 10)
- TU-2 205 (7, 10)
- CU-1 (8, 9)
- V-6 (8, 9)
- A-12 (8, 9)
- TU-2 30 (8, 9)
- V-6 (8, 10)
- A-12 (8, 10)
- TU-2 30 (8, 10)
- TU-2 100 (9)
- TU-2 30 (10)
- E-10
- CU-1
- A-6



VIEW E-E (1)

TITLE: WATER SYSTEM INSTL	
30 NET SCALE DRAWING	DATE: 11/11/09
SHEET 4 OF 4	118033

96 F29RQ