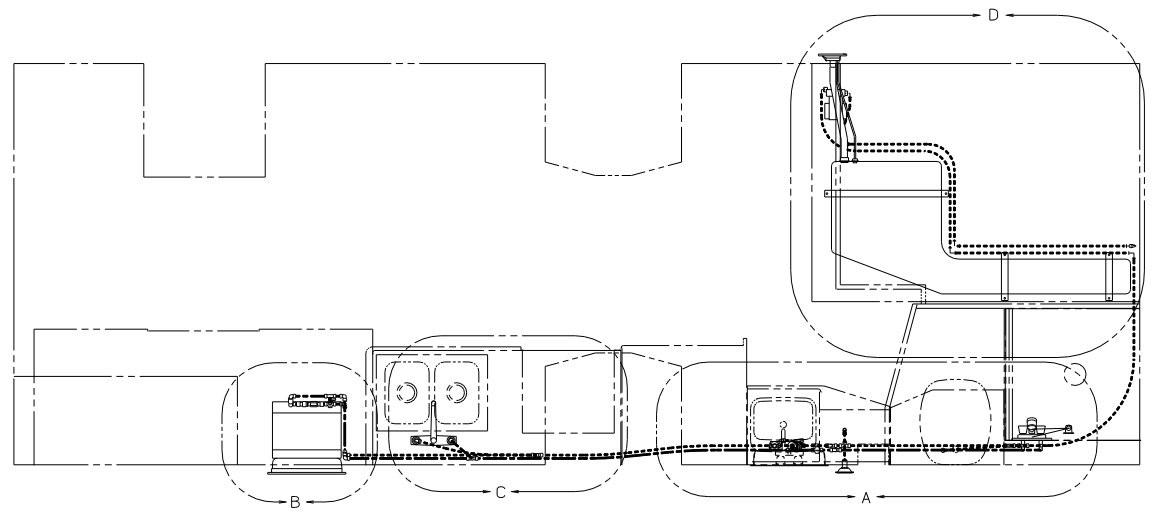


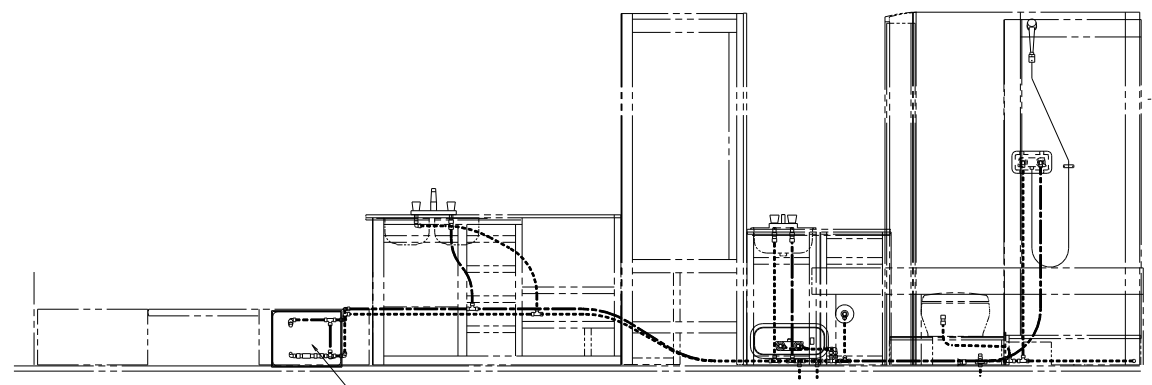
13. SECURE PIPES TO CABINET USING WIRE TIE 108046-02-000 AND SCREW G67-10-12U (8).
12. NOT USED ON CANADIAN UNITS.
11. TRIM P-TRAP EXTENSION TO FIT.
10. SECURE VENT TUBES TO FLOOR.
9. VENT PIPE MUST PROJECT 51 MM MIN AND 63.5 MM MAX ABOVE ROOF FOR PROPER FIT AND FUNCTION.
8. SEE DWG 61607-01-000 FOR INSTL OF GROMMET.
7. SEAL ALL AROUND SHOWER WITH SILICONE 78474-01-CHT.
6. FOR CANADA UNITS EACH HOLDING TANK SHALL HAVE A CSA APPROVAL STAMPED NEAR THE IAPMO APPROVAL.
5. EXPOSED PIPE ABOVE ROOF TO BE PAINTED 37163-01-000.
4. ALL EXTERIOR OPENINGS AROUND PIPE TO BE SEALED WITH 69637-01-000.
3. ALL PIPE AND FITTINGS TO BE ASSEMBLED WITH SOLVENT 4020-01-000.
2. SLOPE OF TRAP ARM MUST BE 6 PER 300.
1. SLOPE OF HORIZONTAL PIPING TO BE 6 PER 305 MIN.

FOR DRAINAGE CALLOUTS SEE DWG NO. 116229-01-000

WINNEAGO		96 F28RC
DATE	ISSUED TO TOLERANCES ARE:	MATERIAL:
DWG	UNLESS SHOWN OTHERWISE	
P.E.	FRACTIONAL DIMENSIONS	
D.T.E.	DECIMAL DIMENSIONS	
DATE	THIRD ANGLE PROJECTION	
LARGE F28RC6	TITLE:	
NO	DRAWN BY	
SCALE: NONE	CHECKED BY	
ALL DIMENSIONS ARE IN MILLIMETERS	SHEET 1 OF 1	DWG NO. 119315
REF: 115815 B 1		



○  
 C  
 FRONT AXLE



○  
 C  
 FRONT AXLE

- WATER HEATER (6) (7)  
 51391-03-000  
 51391-01-000  
 111129-01-000 (11)  
 DOOR  
 78506-01-CHT  
 EXTR  
 2726-01-210 (2)  
 2726-01-212 (2) (10)  
 SCREW  
 G39-10-209 (18)  
 SEALANT

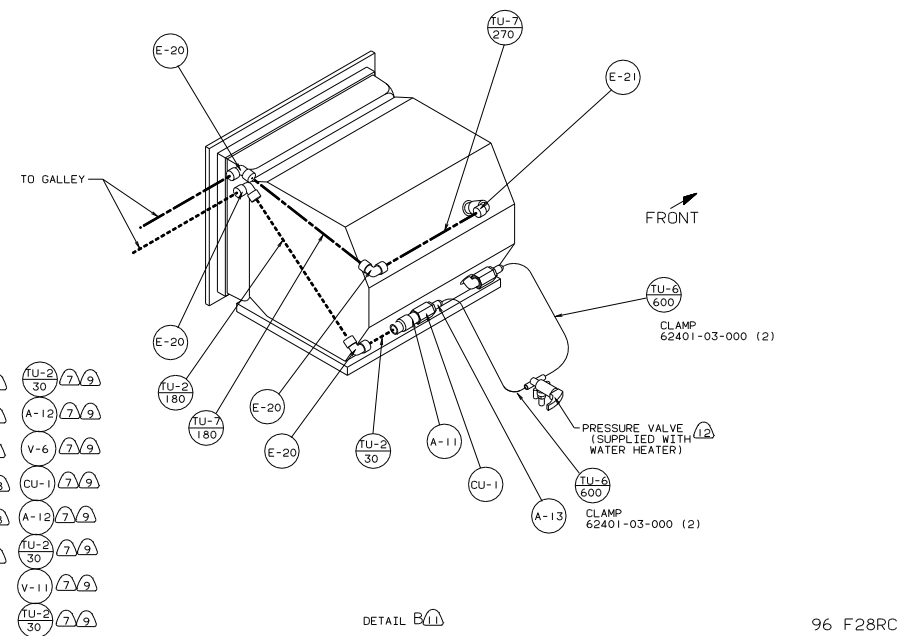
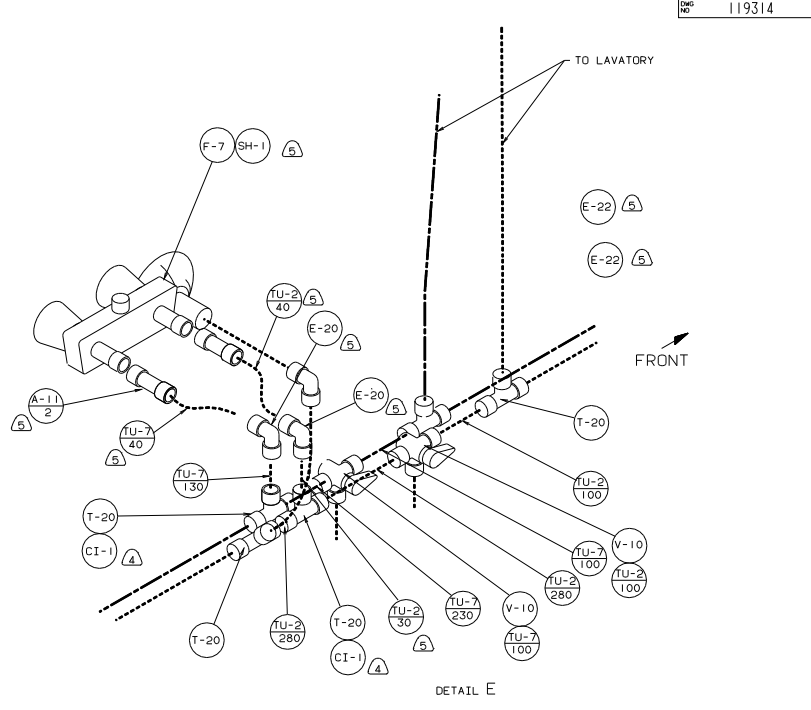
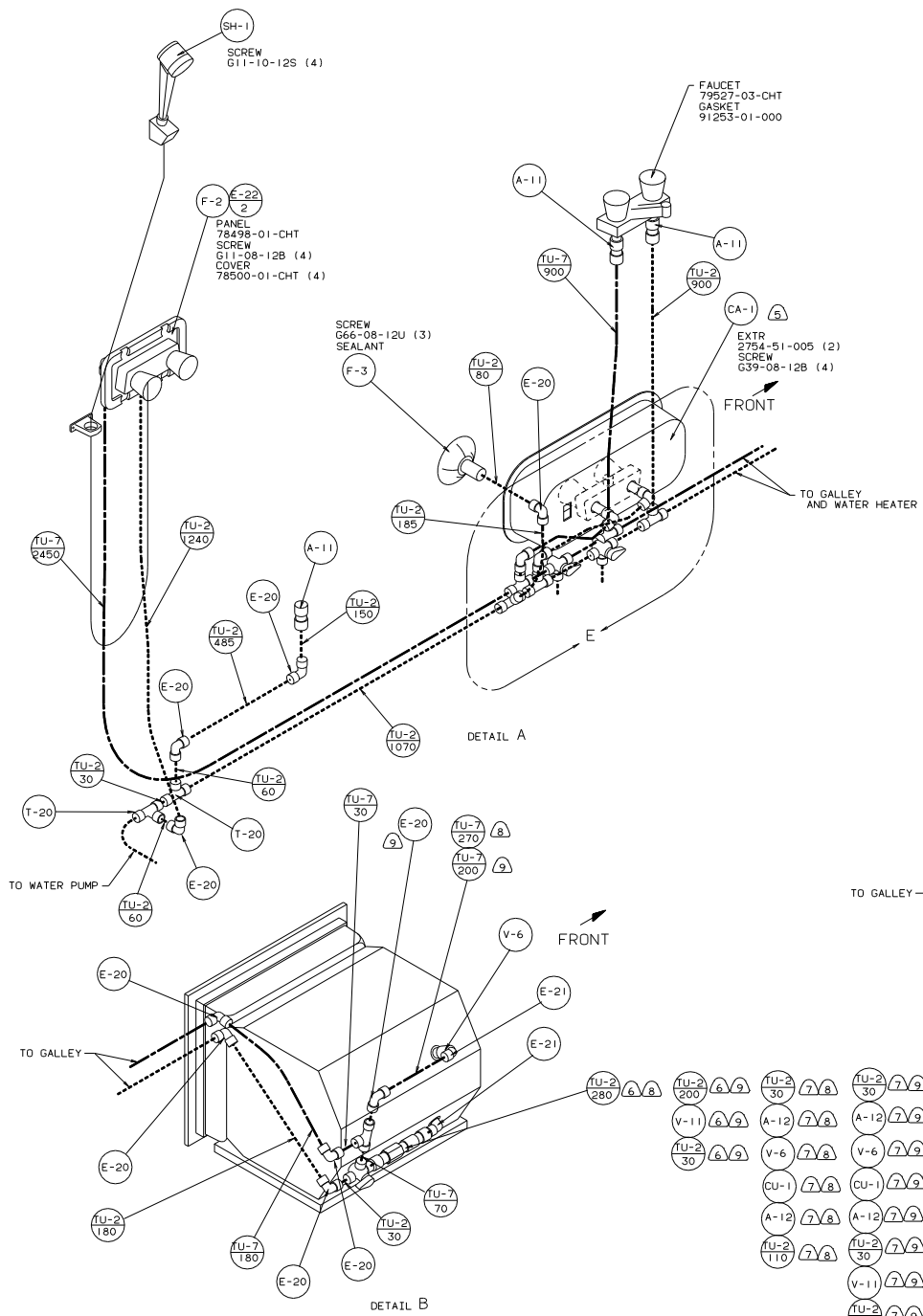
- (12) PRESSURE VALVE MUST BE BETWEEN THE WATER HEATER AND CHECK VALVE OR BYPASS KIT.  
 (11) USED WITH W.I.E. EXPORT PREP PACKAGE.  
 (10) MOUNT SHIELD TO HEATER FLANGE ABOVE EXHAUST VENT.  
 (9) USE WITH BYPASS.  
 (8) USE WITHOUT BYPASS.  
 (7) USE WITH MOTORAID.  
 (6) USE WITHOUT MOTORAID.  
 (5) USE WITH EXTERIOR SHOWER.  
 (4) USE WITHOUT EXTERIOR SHOWER.  
 3. ALL TUBING TO BE SECURED AT 1219 SPACING MAXIMUM WITH CLAMP 10495-01-000 AND SCREW G67-10-12B.  
 2. PLASTIC FITTINGS TO BE SEALED WITH SEALANT 84456-01-000.  
 1. TUBING TO BE INSTALLED WITH SUFFICIENT SLOPE TO PROVIDE DRAINAGE TO NEAREST VALVE.

NOTES:

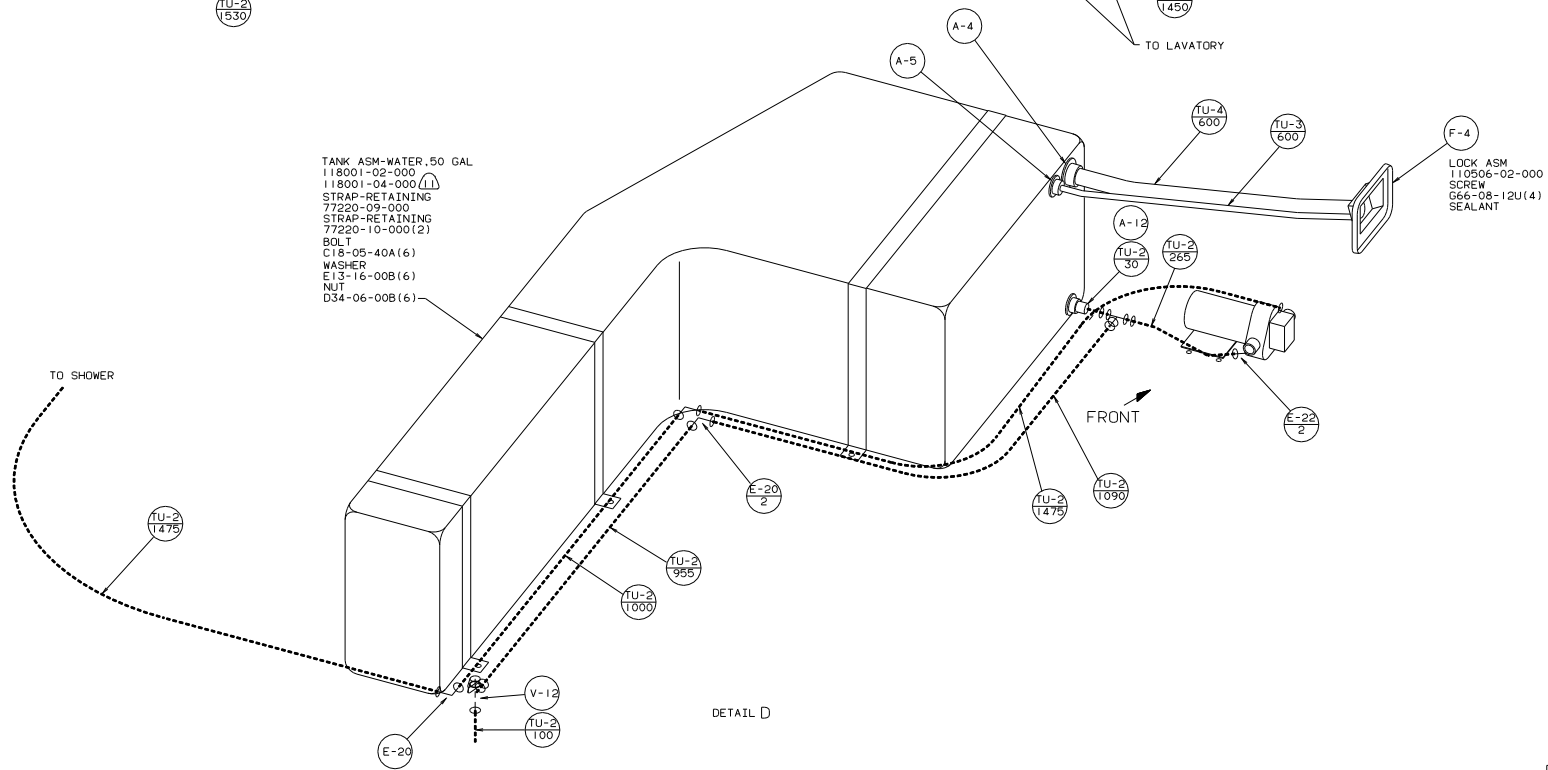
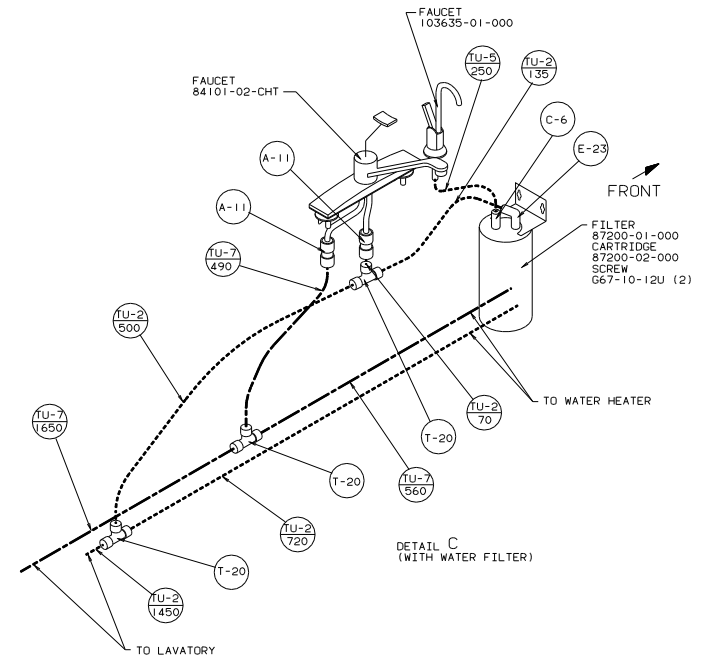
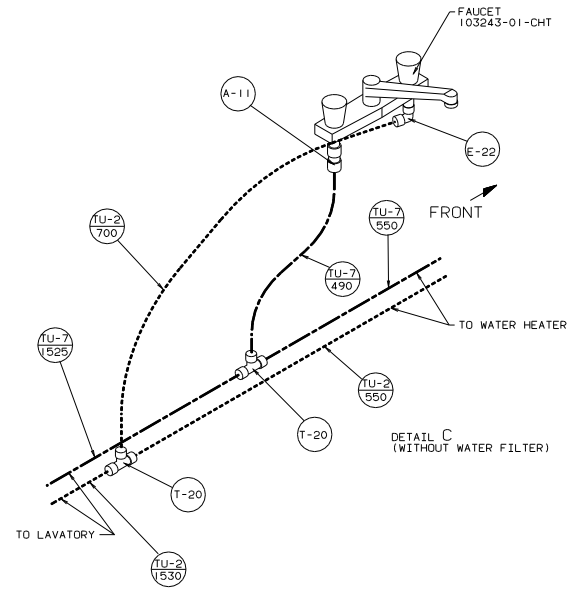
(X-X) FOR WATER CALLOUTS SEE DWG NO. 116230-01-000

LEGEND	
HOT	—————
COLD	-----

<b>WINNEGAGO</b>		96 F28RC
QTY	UNSPECIFIED TOLERANCES ARE:	MATERIAL
CHRP	WELD DIM (IN)	1/8
DFE	ONE-PLATE (IN.XI)	1/8
DFE	TWO-PLATE (IN.XI)	1/8
DFE	ANGLE	1/8
CDR	TRUSS ANGLE PROJECTION	
LANE #	F28RC	TITLE: WATER SYSTEM INSTL
DWG #	SCALE: NONE	30 NET SCALE DRAWING
ALL DIMENSIONS ARE IN MILLIMETERS	SHEET 1 OF 3	DATE 11/19/31
REF: 115814		119314



TU-2 280	TU-2 200	TU-2 30	TU-2 30	TU-2 30
V-11	A-12	A-12	A-12	A-12
TU-2 30	V-6	V-6	V-6	V-6
CU-1	CU-1	CU-1	CU-1	CU-1
A-12	A-12	A-12	A-12	A-12
TU-2 110	TU-2 30	TU-2 30	TU-2 30	TU-2 30
V-11	V-11	V-11	V-11	V-11
TU-2 30	TU-2 30	TU-2 30	TU-2 30	TU-2 30



TITLE: WATER SYSTEM INSTL	
30 NET SCALE DRAWING	SIZE 1/4" = 1'-0"
SHEET 3 OF 3	DATE 11/11/09
119314	