

8

7

6

5

4

3

2

1

H

G

F

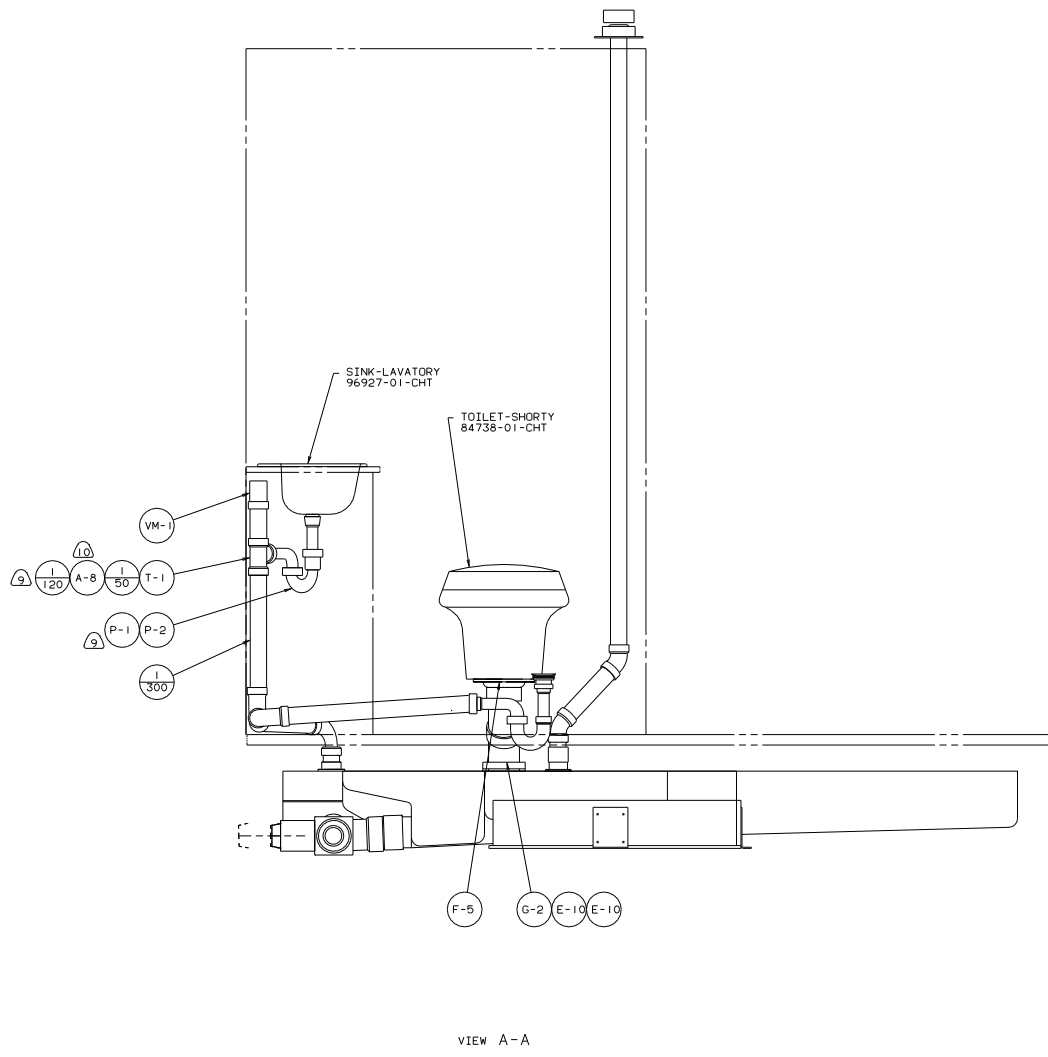
E

D

C

B

A



8

7

6

5

4

3

2

1

A

B

C

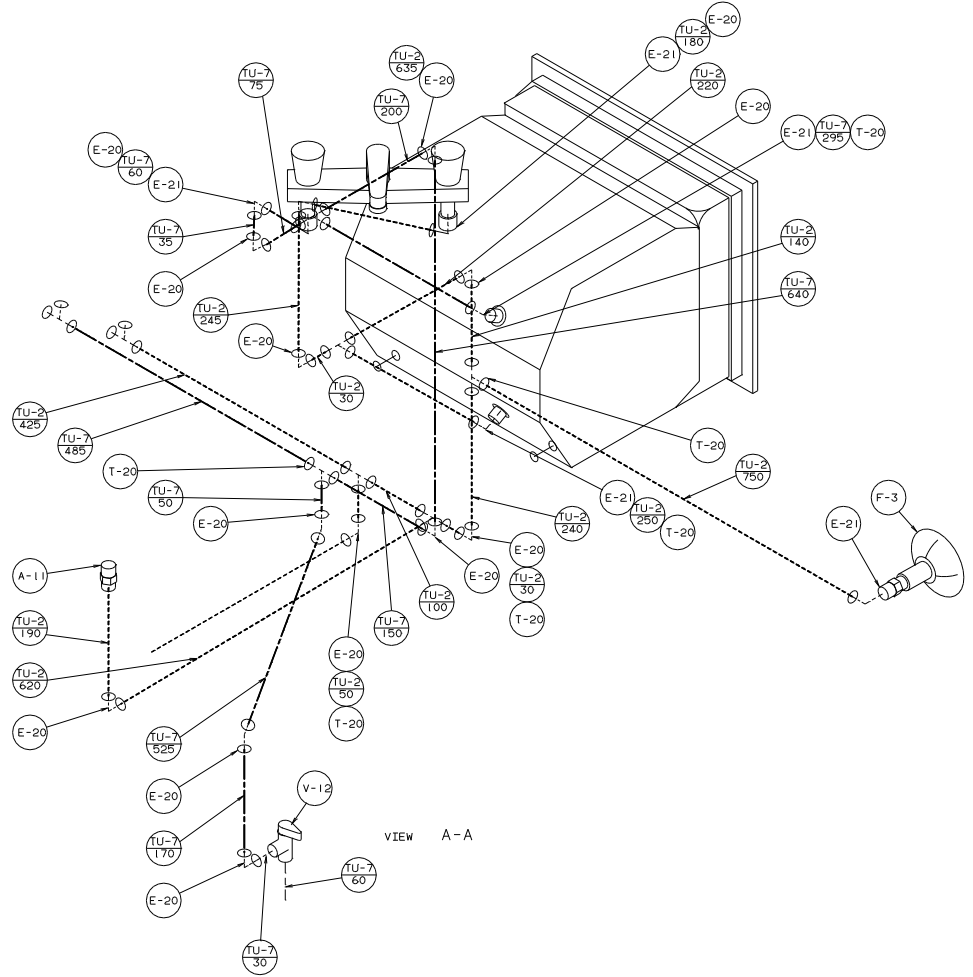
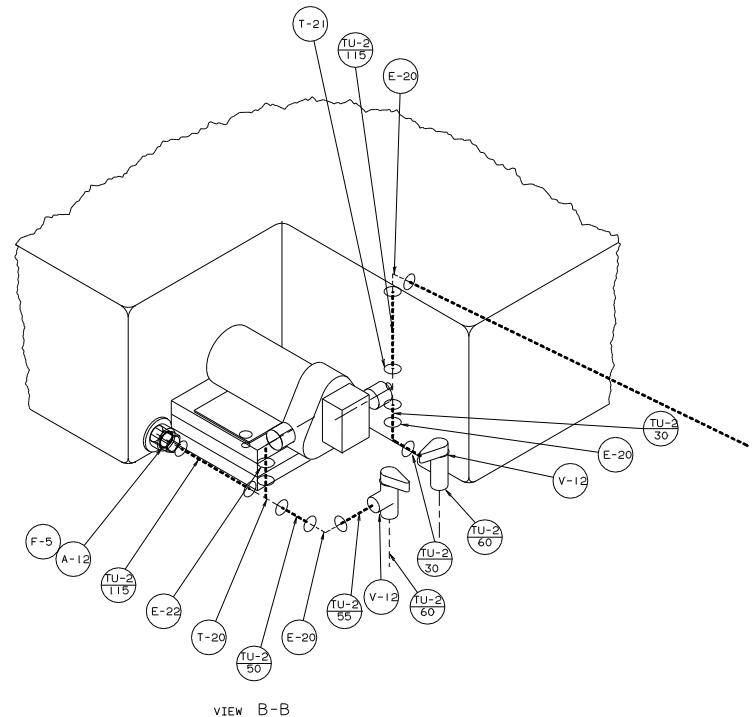
D

E

F

G

H



96 D32RQ

TITLE		WATER SYSTEM INSTL	
30 NET SCALE DRAWING	DATE	1/1	119980
SHEET 2 OF 2	REV	1	