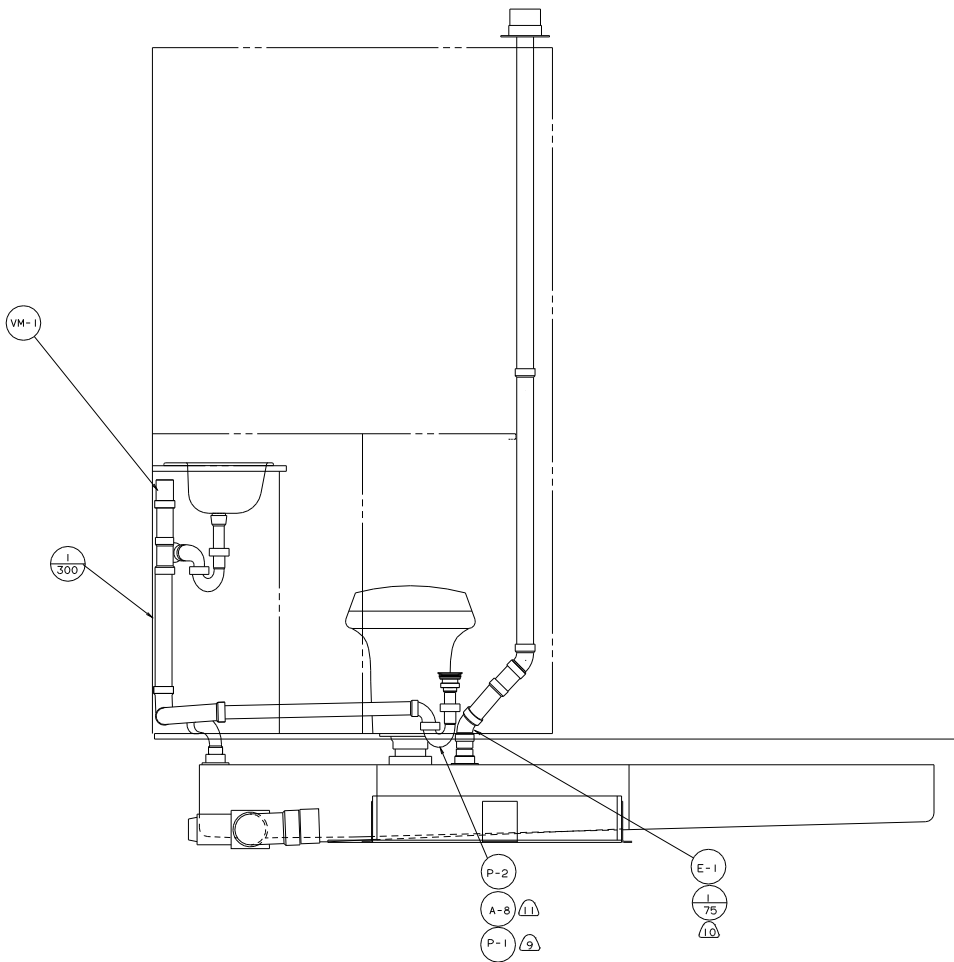


- NOT USED ON CANADIAN UNITS.
- SECURE VENT TUBES TO FLOOR WITH BRACKET 95061-01-000(2), CLAMP 62401-02-000, SCREW G67-10-12B(2).
- CSA ONLY.
- ALL PIPE TO BE SUPPORTED AT 1200 INTERVALS MAXIMUM.
- SEE DWG 61607-01-000 FOR INSTL OF GROMMET.
- SEAL ALL AROUND SHOWER PAN.
- VENT PIPE MUST PROJECT 51 MM MIN TO 64 MM MAX ABOVE ROOF FOR PROPER FIT AND FUNCTION.
- ALL EXTERIOR OPENINGS AROUND PIPE TO BE SEALED.
- ALL PIPE AND FITTINGS TO BE ASSEMBLED WITH SOLVENT 4020-01-000.
- SLOPE OF TRAP MUST BE 6 PER 300 MINIMUM.
- SLOPE OF HORIZONTAL PIPING TO BE 6 PER 300 MINIMUM.

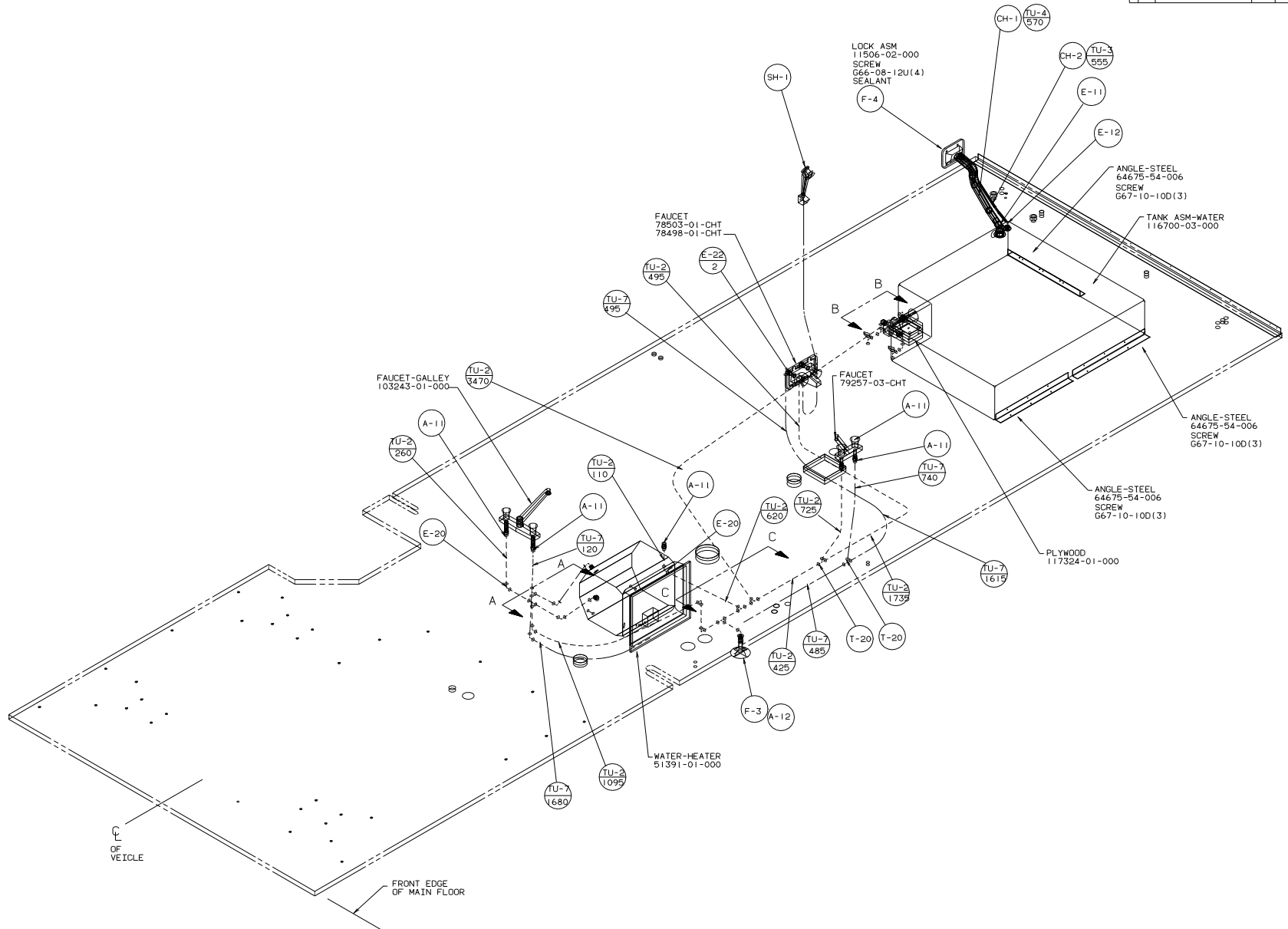
FOR DRAINAGE CALLOUTS SEE DWG NO. 116229-01-000

WINNEBAGO 96 D30R0	
DATE	UNSPECIFIED TOLERANCES ARE:
CHDR	WHOLE DIM (10)
FIN	ONE-PLACE (18.2)
FIN	TWO-PLACE (18.2)
FIN	ANGLE
FIN	ROUND W/ANGLE
FIN	PROJECTION
LANST NO. D30R06	TITLE: DRAINAGE SYSTEM INSTL
DIA #	SCALE: NONE
ALL DIMENSIONS ARE IN MILLIMETERS	SHEET 1 OF 2
117568	



96 D30RQ

TITLE: DRAINAGE SYSTEM INSTL		DWG NO: 117568	
30-MIL SCALE DRAWING	FILE	DATE	117568
SHEET 2 OF 2	1 E		

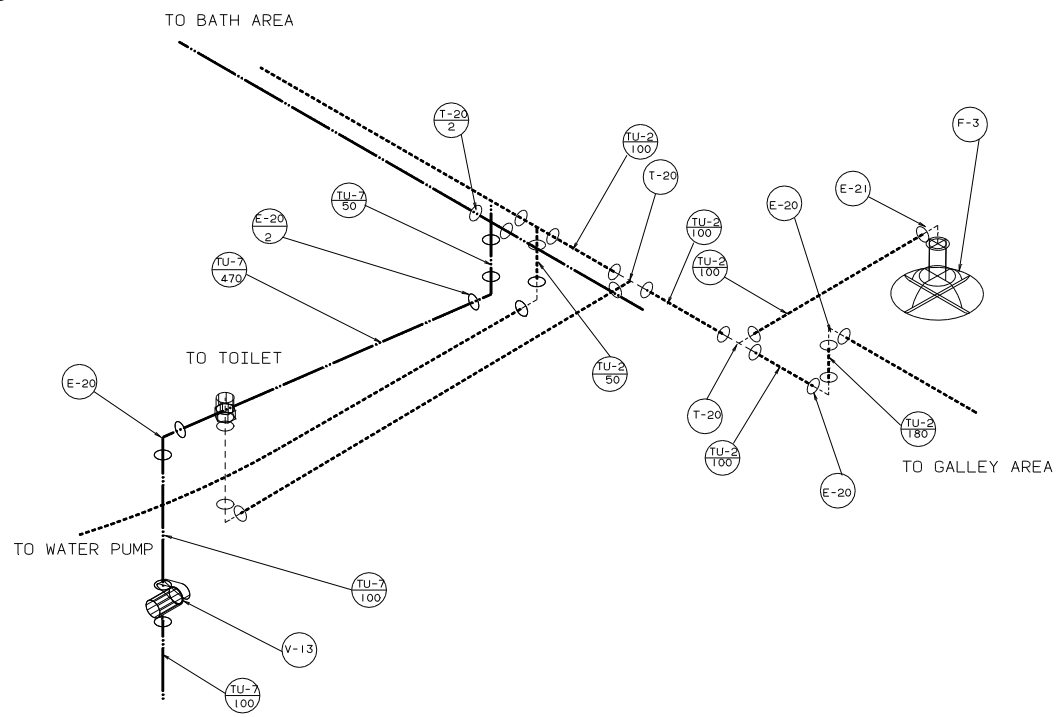
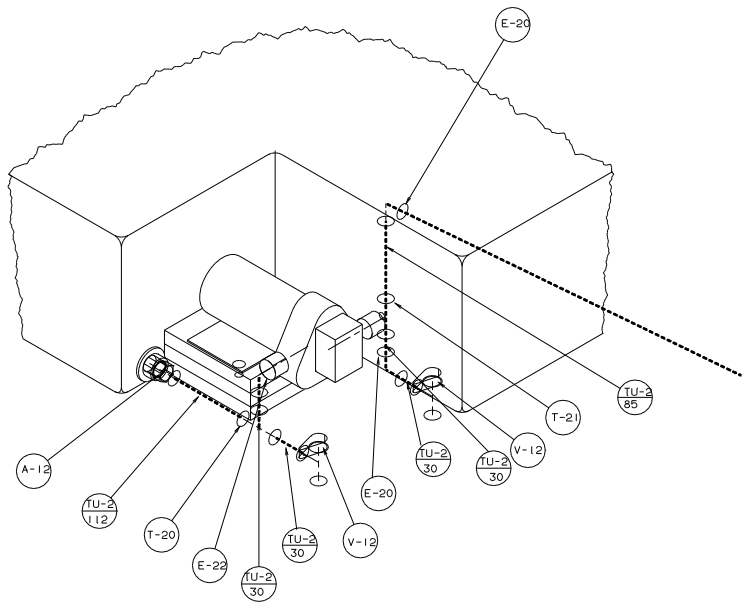
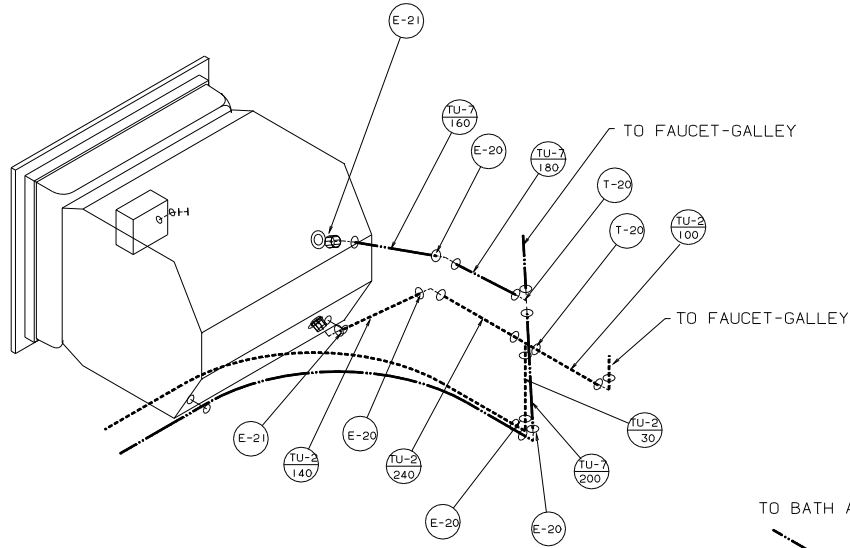


- NOTES:
1. PLASTIC FITTINGS TO BE SEALED WITH SEALANT 84456-01-000.
 2. TUBING TO BE INSTALLED WITH SUFFICIENT SLOPE TO PROVIDE DRAINAGE TO NEAREST VALVE.
 3. ALL TUBING TO BE SECURED AT 1200 INTERVALS MAX WITH CLAMP 10495-01-000 OR CLIP 91951-01-000 AND SCREW G67-10-12B.

FOR WATER CALLOUTS SEE DWG NO. 116230-01-000

LEGEND	
HOT	-----
COLD

		96 D30RQ
DPTH	UNSPECIFIED TOLERANCES ARE	MATERIAL
CHW	WHOLE SIZE (X1)	+
P.E.	FIN-PLATE (X1.5X)	+
FIN.E.	FIN-PLATE (X1.5X)	+
FIN.E.	ANGLE	+
CONV.	THIRD ANGLE PROJECTION	+
FORM D30R06	TITLE	
DRG #	SCALE	NO
ALL DIMENSIONS ARE IN MILLIMETERS	SHEET 1 OF 2	117566



96 D30RD

TITLE: WATER SYSTEM INSTL	
30 NET SCALE DRAWING	DATE
SHEET 2 OF 2	117566