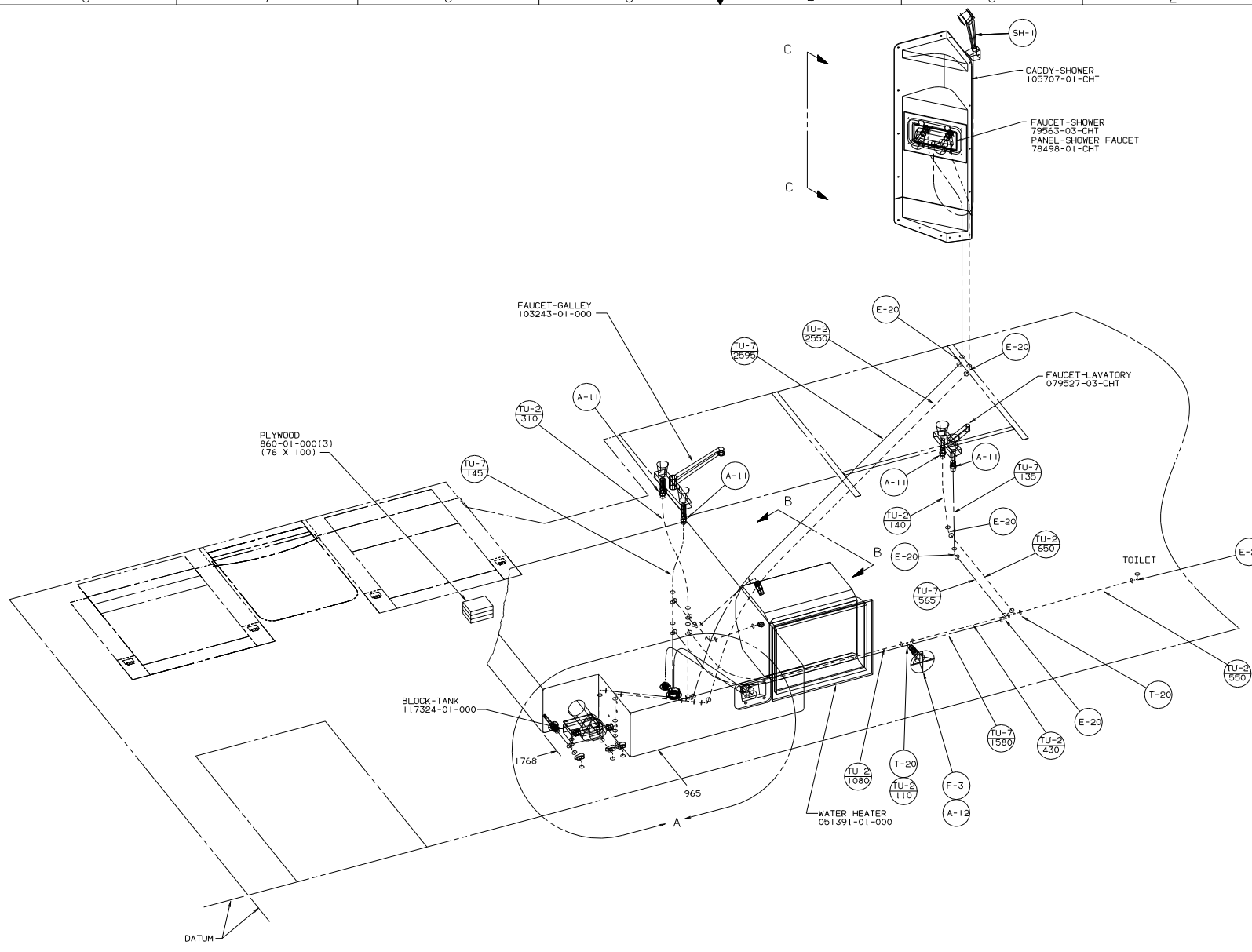


VIEW A-A

| | |
|------------------------------|--------------|
| TITLE: DRAINAGE SYSTEM INSTL | |
| 30 NET SCALE DRAWING | FIG. NO. 1.1 |
| SHEET 2 OF 2 | 119297 |



- NOTES:
1. PLASTIC FITTINGS TO BE SEALED WITH SEALANT 84456-01-000.
 2. TUBING TO BE INSTALLED WITH SUFFICIENT SLOPE TO PROVIDE DRAINAGE TO NEAREST VALVE.
 3. ALL TUBING TO BE SECURED AT 1200 INTERVALS MAX WITH CLAMP 10495-01-000 OR CLIP 91951-01-000 AND SCREW G67-10-12B.

| LEGEND | |
|--------|-----------|
| HOT | ————— |
| COLD | - - - - - |

(X-X) FOR WATER CALLOUTS SEE DWG NO. 116230-01-000

| | | |
|-----------------------------------|----------------------------|---------------|
| WINNEAGO | | 95 D28R0 |
| DATE | UNSPECIFIED TOLERANCES ARE | MATERIAL |
| CHG | WHOLE DIM. (X) | F |
| REV | ONE-PLACE (X, X) | F |
| REV | ANGLE | F |
| CHG | THIRD ANGLE PROJECTION | |
| LABOR NO. D28R05 | TITLE: WATER SYSTEM INSTL | |
| REV. # | SCALE | NO. OF SHEETS |
| 1 | 1:1 | 2 |
| ALL DIMENSIONS ARE IN MILLIMETERS | SHEET 1 OF 2 | 117150 |

