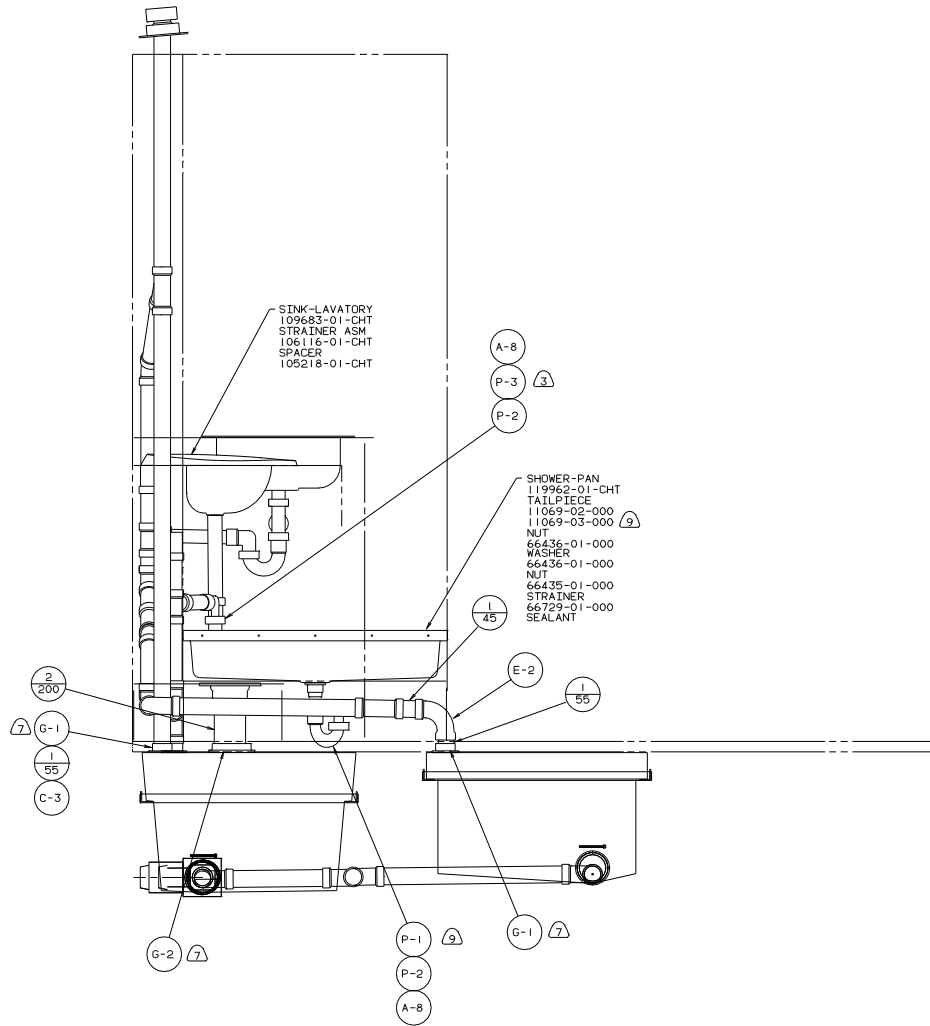


- 9) CSA ONLY.
 8. ALL PIPE TO BE SUPPORTED AT 1200 INTERVALS MAXIMUM.
 7) SEE DWG 61607-01-000 FOR INSTL OF GROMMET.
 6) SEAL ALL AROUND SHOWER PAN.
 5) VENT PIPE MUST PROJECT 51 MM MIN TO 64 MM MAX ABOVE ROOF FOR PROPER FIT AND FUNCTION.
 4. ALL EXTERIOR OPENINGS AROUND PIPE TO BE SEALED.
 3. ALL PIPE AND FITTINGS TO BE ASSEMBLED WITH SOLVENT 4020-01-000.
 2. SLOPE OF TRAP MUST BE 6 PER 300 MINIMUM.
 1. SLOPE OF HORIZONTAL PIPING TO BE 6 PER 300 MINIMUM.

X-X FOR DRAINAGE CALLOUTS SEE DWG NO. 116229-01-000

WINNERAGO 96 D27RC	
DATE	UNSPECIFIED TOLERANCES ARE MATERIAL
CHG	WELD DIM 1:1 = 1:1
DATE	ONE-PLACE (X 31)
DATE	TWO-PLACE (X 30)
DATE	THREE-PLACE (X 29)
DATE	FOUR-PLACE (X 28)
DATE	FIVE-PLACE (X 27)
DATE	SIX-PLACE (X 26)
DATE	SEVEN-PLACE (X 25)
DATE	EIGHT-PLACE (X 24)
DATE	NINE-PLACE (X 23)
DATE	TEN-PLACE (X 22)
DATE	ELEVEN-PLACE (X 21)
DATE	TWELVE-PLACE (X 20)
DATE	THIRTEEN-PLACE (X 19)
DATE	FOURTEEN-PLACE (X 18)
DATE	FIFTEEN-PLACE (X 17)
DATE	SIXTEEN-PLACE (X 16)
DATE	SEVENTEEN-PLACE (X 15)
DATE	EIGHTEEN-PLACE (X 14)
DATE	NINETEEN-PLACE (X 13)
DATE	TWENTY-PLACE (X 12)
DATE	TWENTY-ONE-PLACE (X 11)
DATE	TWENTY-TWO-PLACE (X 10)
DATE	TWENTY-THREE-PLACE (X 9)
DATE	TWENTY-FOUR-PLACE (X 8)
DATE	TWENTY-FIVE-PLACE (X 7)
DATE	TWENTY-SIX-PLACE (X 6)
DATE	TWENTY-SEVEN-PLACE (X 5)
DATE	TWENTY-EIGHT-PLACE (X 4)
DATE	TWENTY-NINE-PLACE (X 3)
DATE	THIRTY-PLACE (X 2)
DATE	THIRTY-ONE-PLACE (X 1)

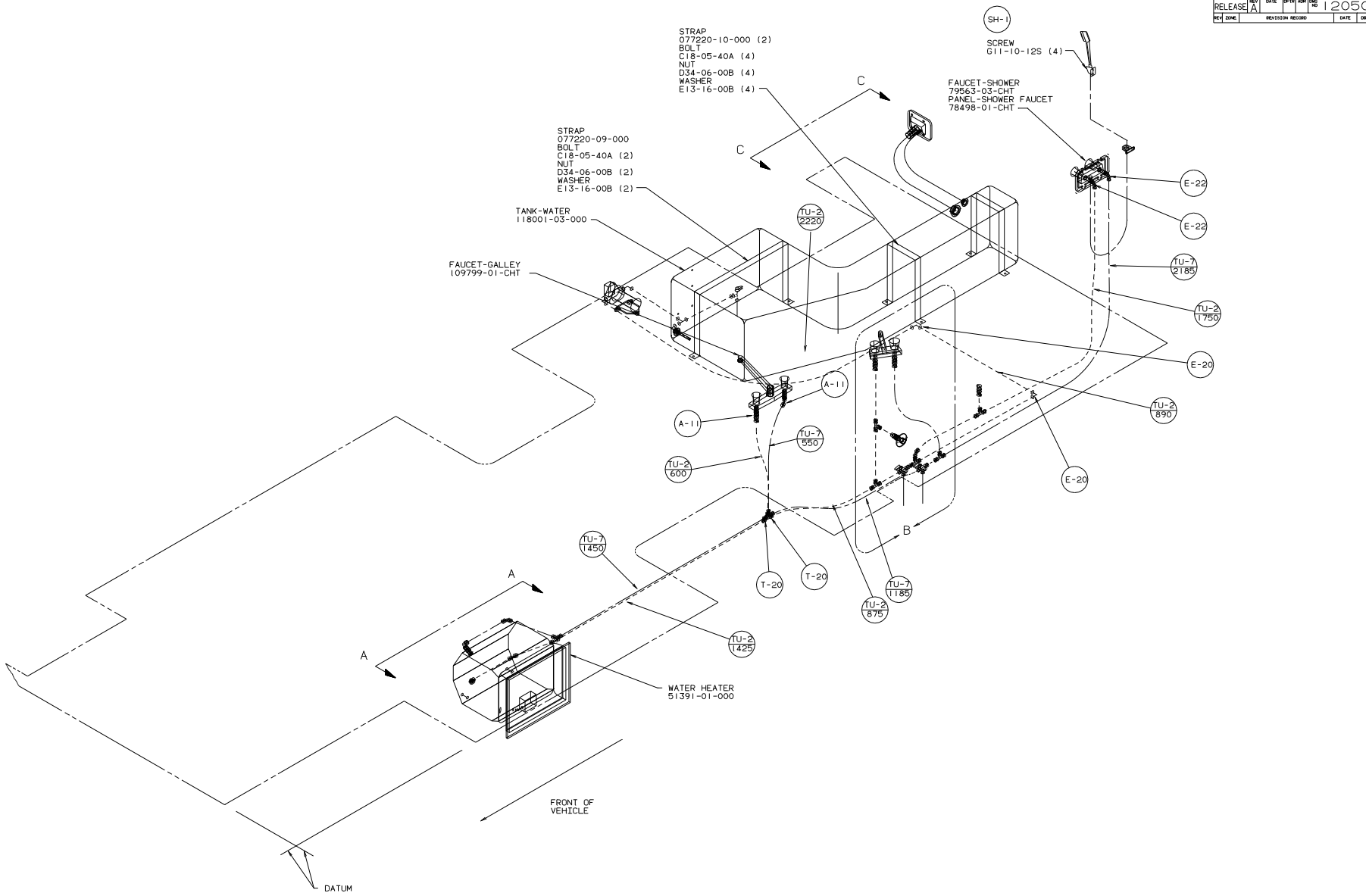
LANO: D27RC6 TITLE: DRAINAGE SYSTEM INSTL
 REF: 119297 B 1



VIEW A-A

96 D27RC

TITLE: DRAINAGE SYSTEM INSTL	
30 NET SCALE DRAWING	FIG NO 1 E
SHEET 2 OF 2	120507

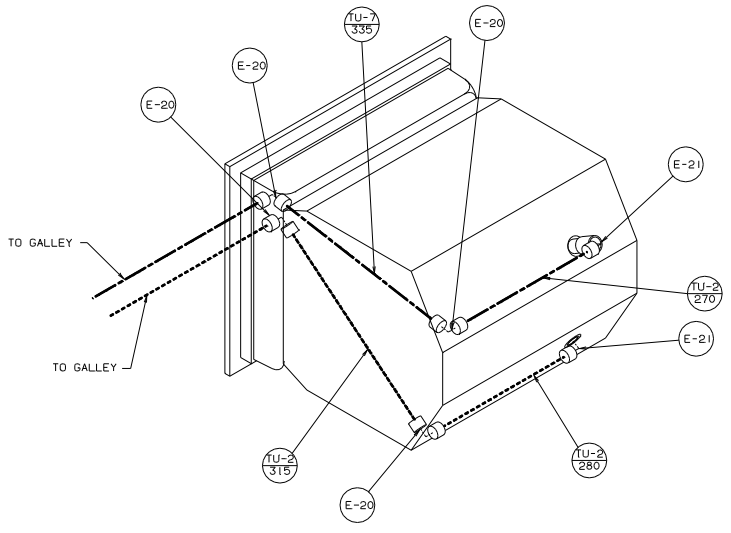


- NOTES:
1. PLASTIC FITTINGS TO BE SEALED WITH SEALANT 84456-01-000.
 2. TUBING TO BE INSTALLED WITH SUFFICIENT SLOPE TO PROVIDE DRAINAGE TO NEAREST VALVE.
 3. ALL TUBING TO BE SECURED AT 1200 INTERVALS MAX WITH CLAMP 10495-01-000 OR CLIP 91951-01-000 AND SCREW G67-10-12B.

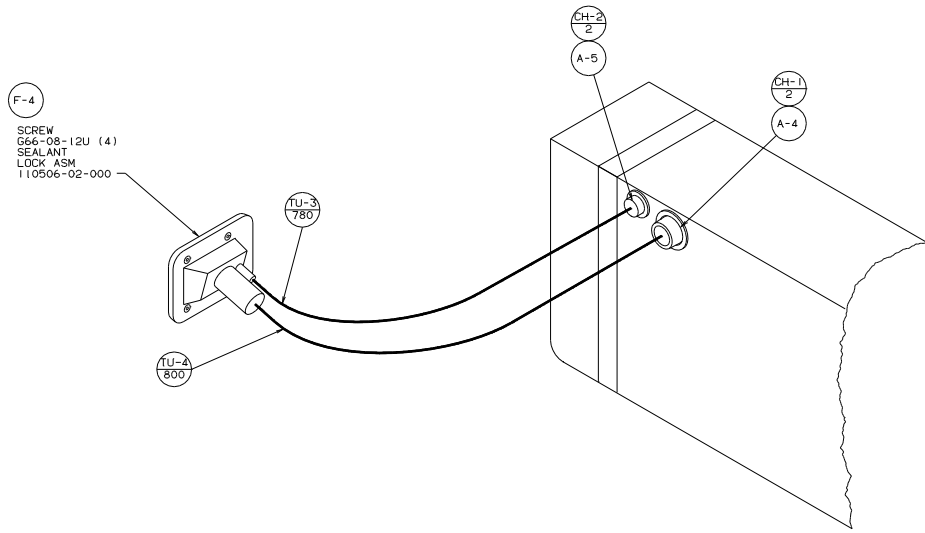
FOR WATER CALLOUTS SEE DWG NO. 116230-01-000

LEGEND	
HOT	-----
COLD

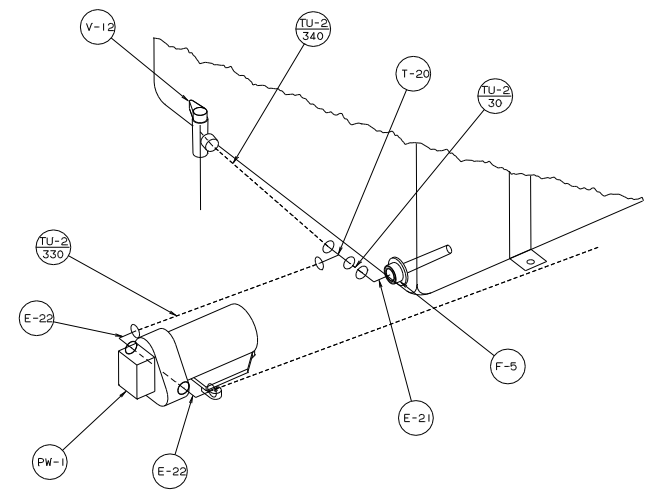
WINNEBAGO		96 D27RC
QTY IN	UNSPECIFIED TOLERANCES ARE	MATERIAL
CHDR	WHOLE ONE (1)	1/4
F/F	ONE-PLACE (1X 31)	1
F/E	TWO-PLACE (1X 33)	1
F/E	ANGLE	1
CDR	TWO-ANGLE	1
LARGEST SHEET		1
D27RC		1
TITLE: WATER SYSTEM INSTL		1
REV #	SCALE	NOTE
1	1/8"	DO NOT SCALE DRAWING
2	1/4"	ALL DIMENSIONS ARE IN MILLIMETERS
3	3/8"	
4	1/2"	
5	3/4"	
6	1"	
7	1 1/4"	
8	1 1/2"	
SHEET 1 OF 3		120508
REF: 119314		1



VIEW A-A

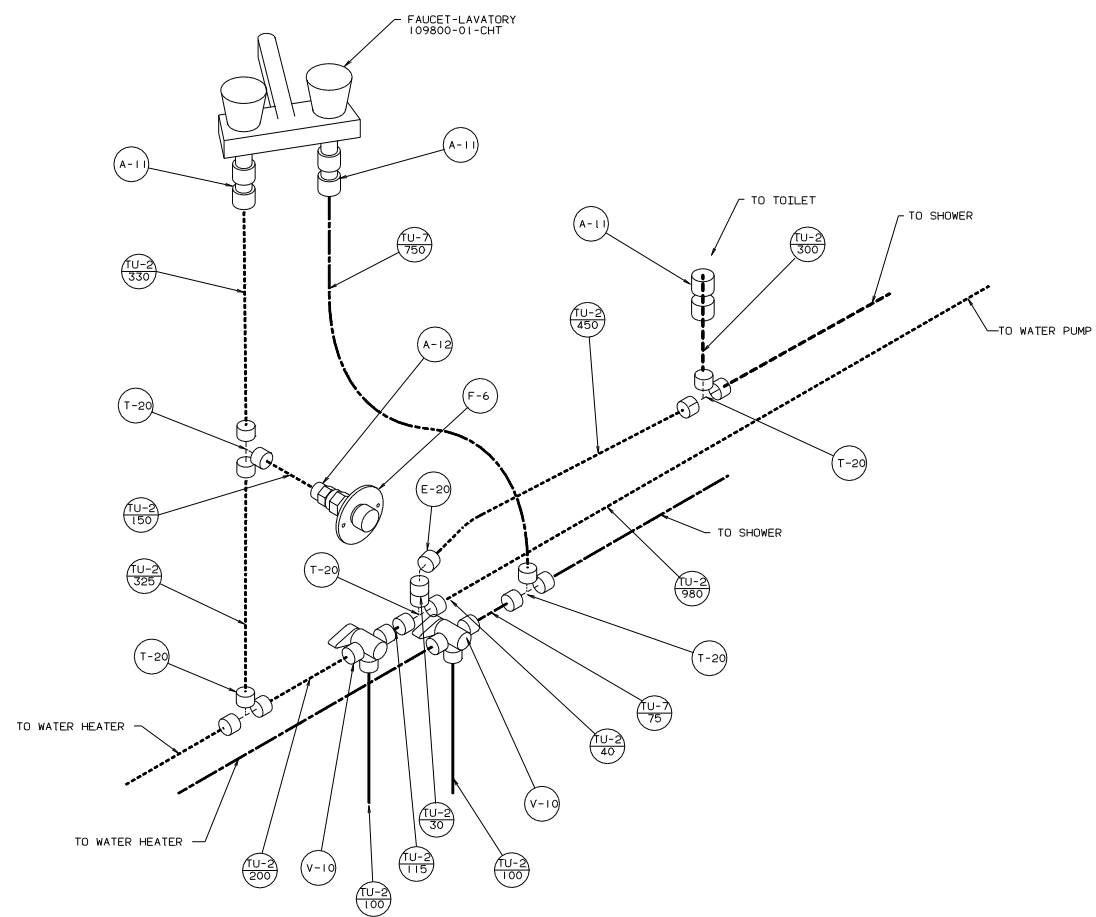


VIEW C-C



VIEW D-D

TITLE: WATER SYSTEM INSTL			
30 NET SCALE DRAWING	REV	DATE	120508
SHEET 2 OF 3	1	1	



DETAIL B

TITLE: WATER SYSTEM INSTL		DATE: 11/01/08
30-MET SCALE DRAWING	SHEET 3 OF 3	120508