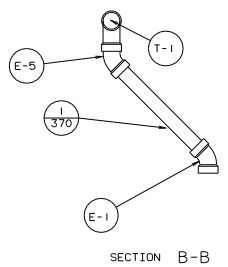
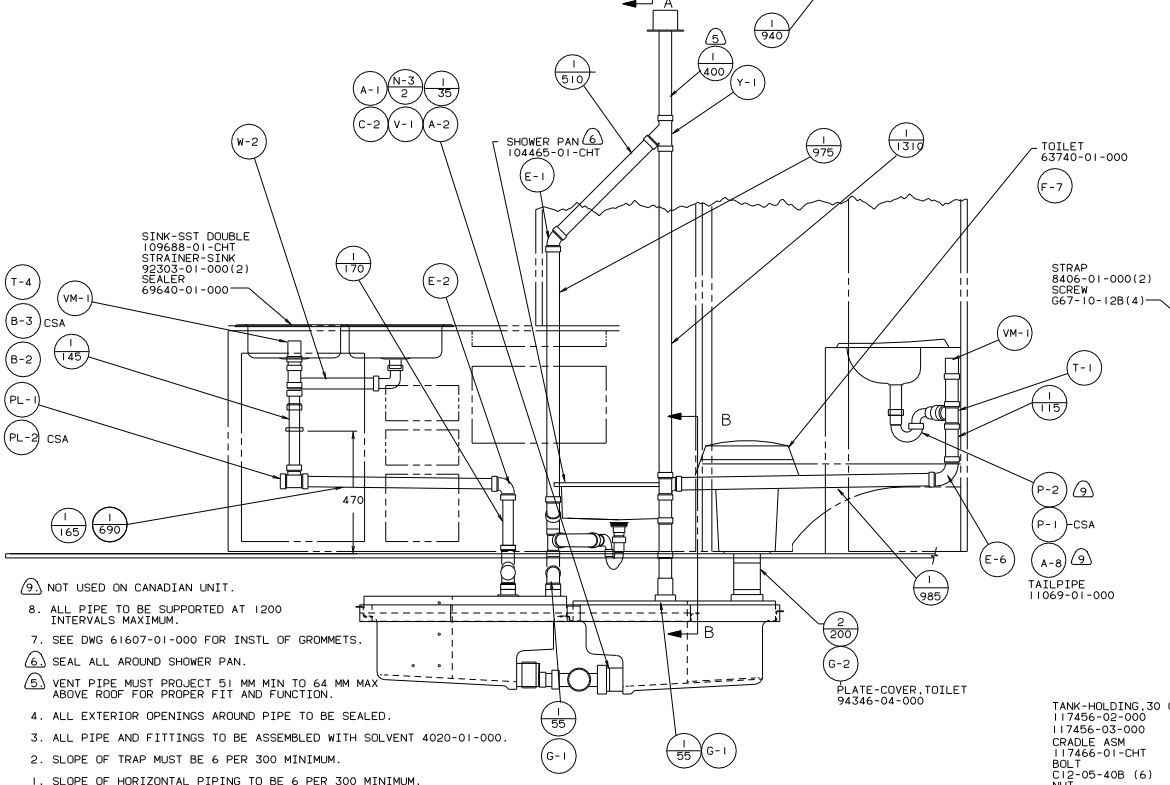


SECTION A-A



SECTION B-B



SECTION A-A

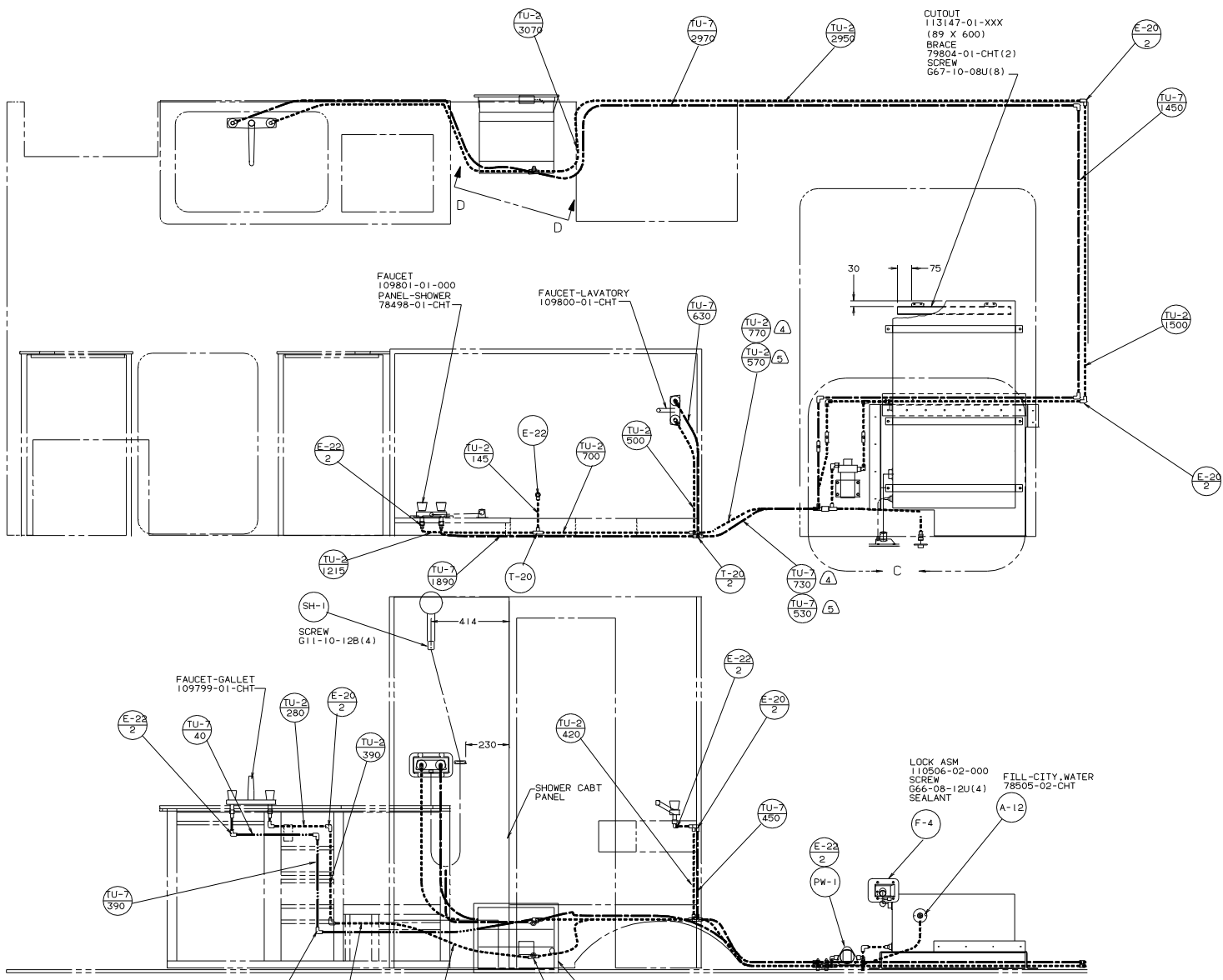
SECTION B-B

- (9) NOT USED ON CANADIAN UNIT.
- 8. ALL PIPE TO BE SUPPORTED AT 1200 INTERVALS MAXIMUM.
- 7. SEE DWG 61607-01-000 FOR INSTL OF GROMMETS.
- (6) SEAL ALL AROUND SHOWER PAN.
- (5) VENT PIPE MUST PROJECT 51 MM MIN TO 64 MM MAX ABOVE ROOF FOR PROPER FIT AND FUNCTION.
- 4. ALL EXTERIOR OPENINGS AROUND PIPE TO BE SEALED.
- 3. ALL PIPE AND FITTINGS TO BE ASSEMBLED WITH SOLVENT 4020-01-000.
- 2. SLOPE OF TRAP MUST BE 6 PER 300 MINIMUM.
- 1. SLOPE OF HORIZONTAL PIPING TO BE 6 PER 300 MINIMUM.

TANK-HOLDING, 30 GAL
 117456-02-000
 117456-03-000
 CRADLE ASM
 117466-01-CHT
 BOLT
 C12-05-40B (6)
 NUT
 D39-05-00B (6)

(X-X)
 FOR DRAINAGE CALLOUTS SEE DWG NO. 116229-01-000

WINNERAGO		95 D25RU
DATE	UNAPPROVED TOLERANCES ARE:	MATERIAL:
CHG#	WHOLE DIM (IN)	FRACTIONAL DIM (IN)
REV	ONE-PLACE (IN)	TWO-PLACE (IN)
DATE	THREE-PLACE (IN)	FOUR-PLACE (IN)
BY	INDUSTRY PRACTICE	
CHKD		
APP'D		
DRN		
DATE		
LAYOUT NO: DGEN5		TITLE: DRAINAGE SYSTEM INSTL
REV: NONE		SCALE: AS SHOWN
SHEET: 1 OF 1		DATE: 11/17/73



- ⑧ USE WITH MOTOR AID.
 - ⑦ CHECK VALVE MUST BE BETWEEN THE WATER HEATER AND CHECK VALVE OR BYPASS KIT.
 - ⑥ USE WITH EUROPEAN PACKAGE.
 - ⑤ USE WITH TWIN BED.
 - ④ USE WITH QUEEN BED.
3. ALL TUBING TO BE SECURED AT 1200 INTERVALS MAX WITH CLAMP 10495-01-000 OR CLIP 91951-01-000 AND SCREW G67-10-12B.
 2. TUBING TO BE INSTALLED WITH SUFFICIENT SLOPE TO PROVIDE DRAINAGE TO NEAREST VALVE.
 1. PLASTIC FITTINGS TO BE SEALED WITH SEALANT 84456-01-000.

WATER-HEATER
 151391-01-000
 111129-01-000
 LUMBER
 52372-H0-300(2)
 SCREW
 G39-10-209(1.8)
 AL-EXTR
 2726-01-210
 2726-01-212(2)

CUTOUT
 113147-01-XXX
 (89 X 600)
 BRACE
 79804-01-CHT(2)
 SCREW
 G67-10-08U(8)

LOCK ASM
 110506-02-000
 SCREW
 G66-08-12U(4)
 SEALANT

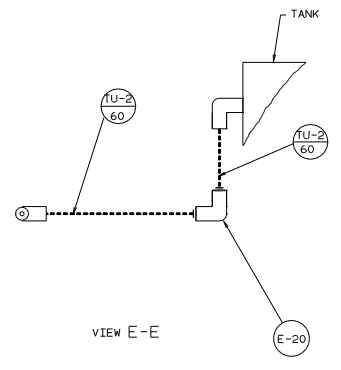
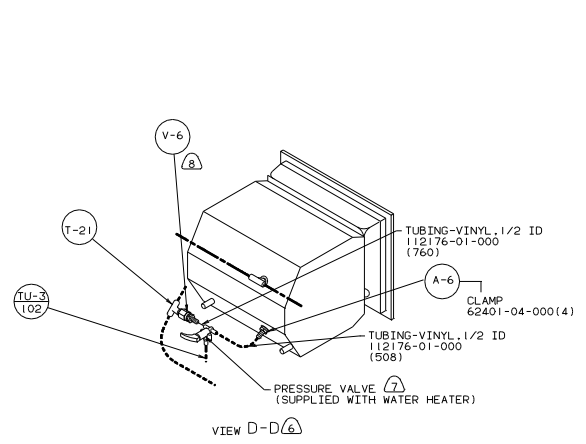
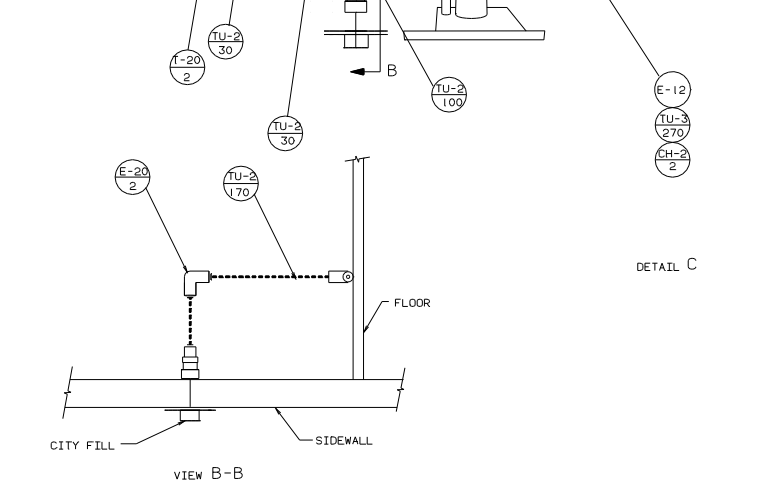
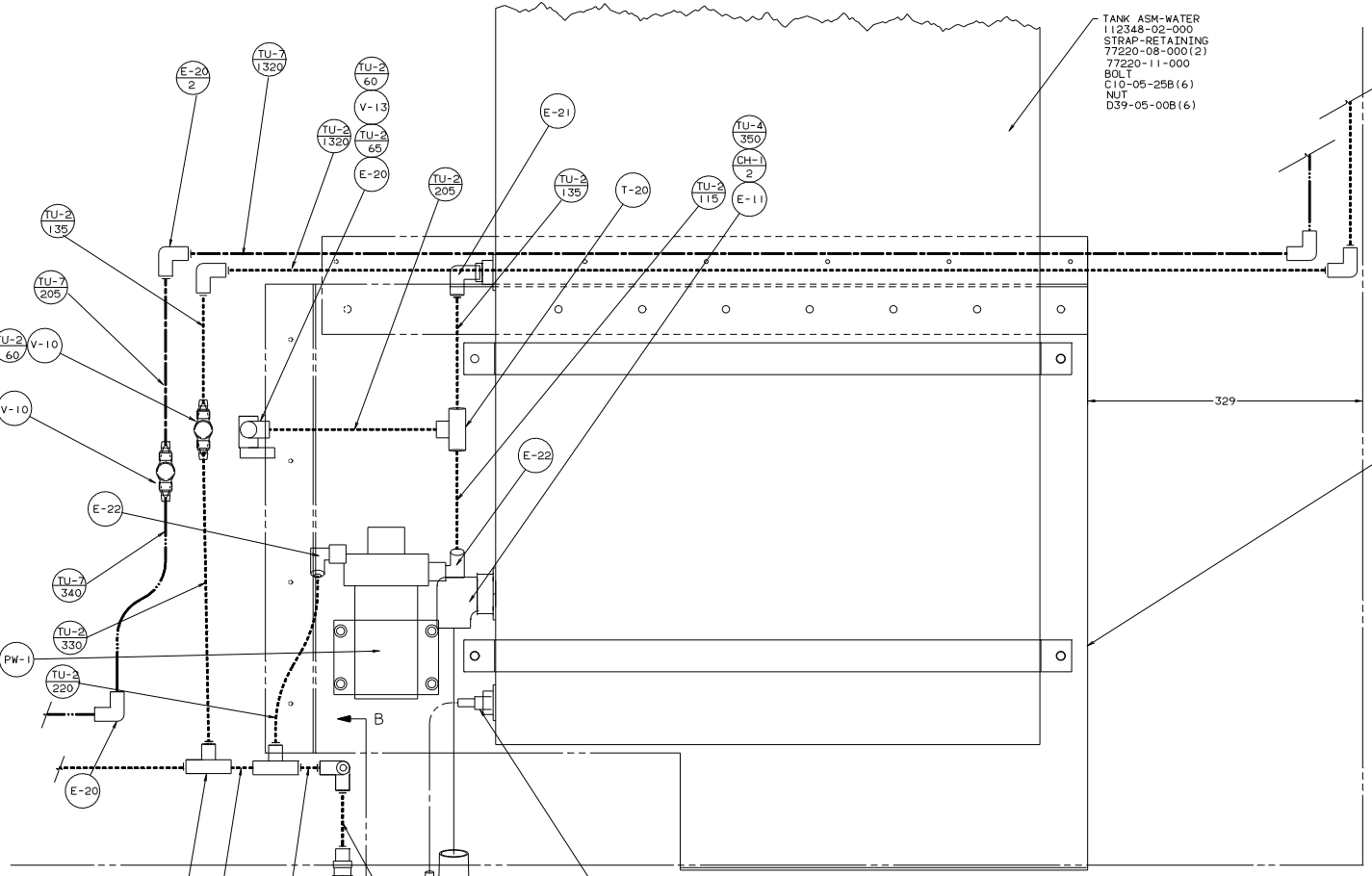
FILL-CITY WATER
 78505-02-CHT

LEGEND	
HOT	—————
COLD	- - - - -

WINNERAGO		95 D25RU
QTY	UNSPECIFIED TOLERANCES ARE	MATERIAL
CHRP	WHOLE OR 1/2"	" "
F/F	ONE-PLACE 1/8 X 1/2"	" "
F/E	TWO-PLACE 1/8 X 1/2"	" "
F/E	ANGLE	" "
CONR	TUBING: WHOLE PRODUCTION	" "
LABOR NO.	TITLE: WATER SYSTEM INSTL	
REV. NO.	SCALE: NONE	30 NET SCALE: 3/16" = 1"
ALL DIMENSIONS ARE IN MILLIMETERS	SHEET 1 OF 3	115210
REF: 112311		

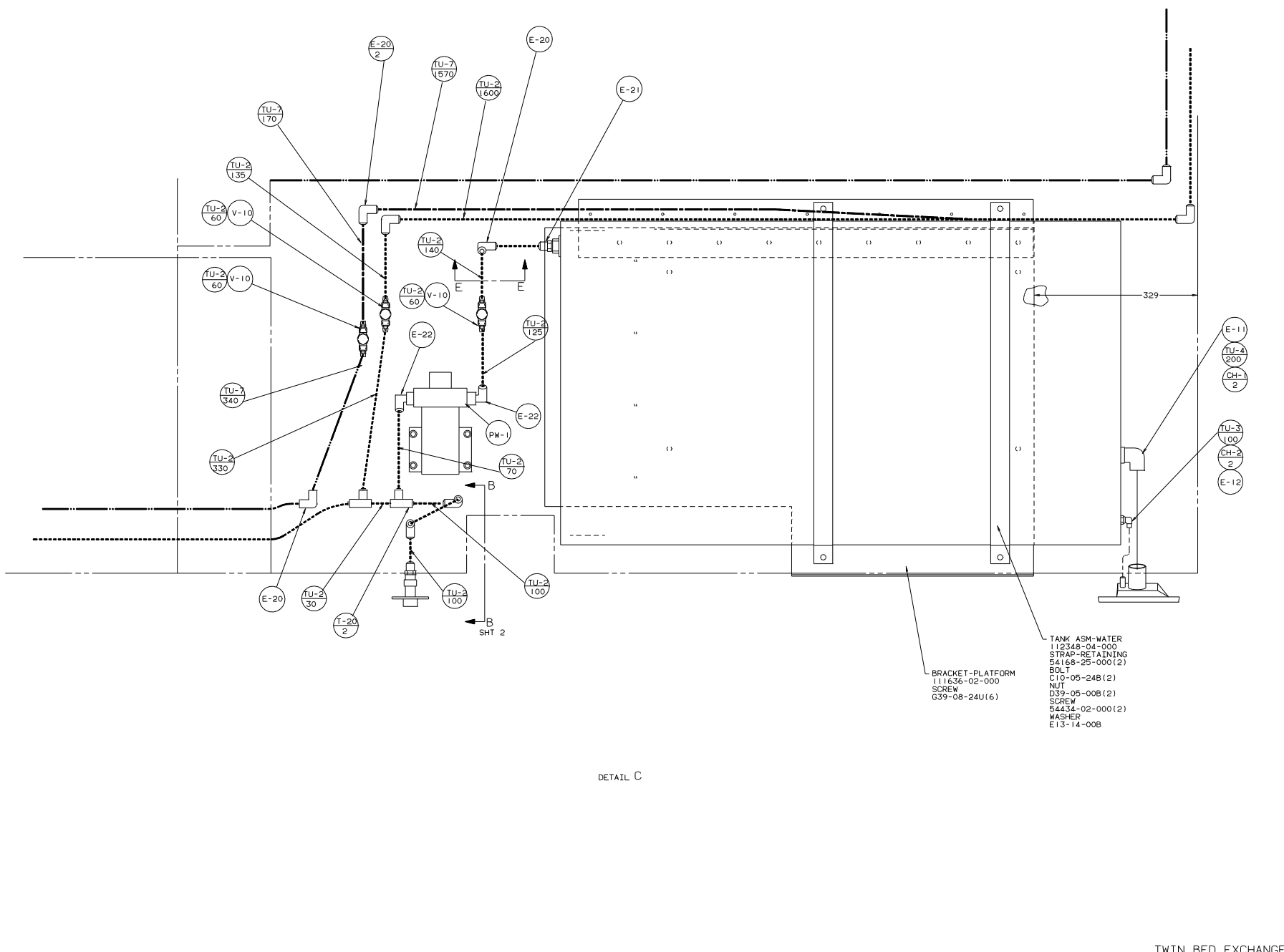
TANK ASM-WATER
112348-02-000
STRAP-RETAINING
77220-08-000(2)
77220-11-000
BOLT
C10-05-25B(6)
NUT
D39-05-00B(6)

BRACKET-PLATFORM
111636-02-000
SCREW
G39-08-24J(16)



QUEEN BED EXCHANGE

TITLE: WATER SYSTEM INSTL	
30 NET SCALE DRAWING	115210
SHEET 2 OF 3	1 E



- BRACKET-PLATFORM
111636-02-000
- SCREW
G39-08-24U(6)
- TANK ASH-WATER
112348-04-000
- STRAP-RETAINING
54168-25-000(2)
- BOLT
C10-05-24B(2)
- NUT
D39-05-00B(2)
- SCREW
54434-02-000(2)
- WASHER
E13-14-00B

DETAIL C

TWIN BED EXCHANGE

TITLE: WATER SYSTEM INSTL		REV	DATE
30 NET SCALE DRAWING	SHEET 3 OF 3	1.1	115210