

SINK-SST.DOUBLE  
 109688-01-CHT  
 STRAINER-SINK  
 92303-01-000 (2)  
 SEALER  
 69640-01-000

STRAP  
 8406-01-000 (5)  
 SCREW  
 G67-10-12B (10)

1333  
 3230

3430

C-3  
 70  
 Y-1  
 B-2  
 PL-1  
 5010  
 352

4300

1600

180  
 270  
 CSA

E-2  
 40

E-2

240

E-3

T-1

510

E-3

E-6

410

CP-2

S-1

SEALANT  
 SCREW  
 G67-10-12G (12)

1465  
 9

E-1  
 500

P-2  
 A-8  
 P-1  
 CSA

E-5

50  
 C-3  
 55

G-1

E-6

G-2

F-7

T-4

35

TANK ASM-HOLDING .40 GALLON  
 112595-01-000  
 CRADLE ASM-HOLDING TANK  
 112598-01-000  
 BOLT  
 C12-05-40B (4)  
 NUT  
 D39-05-00B (4)

SINK-LAVATORY  
 109683-01-CHT  
 STRAINER ASM  
 106116-01-CHT  
 SPACER  
 105218-01-CHT

CSA  
 P-1  
 A-8  
 P-2  
 TAILPIECE  
 11069-02-000

W-2  
 W-3  
 CSA

E-3

VM-1

T-1

65  
 210  
 230  
 CSA

VEHICLE

1150

DATUM

579

DATUM

0

FRONT  
 AXLE

1. NOT USED ON CANADIAN UNIT.

10. SECURE VENT TUBES TO FLOOR WITH BRACKET 95061-01-000(2), CLAMP 62401-02-000, PLATE COVER 94346-02-000 (2), PLATE COVER 94346-04-000, SCREW G67-10-12B(2), AND STAPLE 5403-03-000.

11. VENT PIPE MUST PROJECT 51 MM MIN AND 63.5 MM MAX ABOVE ROOF FOR PROPER FIT AND FUNCTION.

8. SEE DWG 61607-01-000 FOR INSTL OF GROMMETS.

12. SEAL ALL AROUND SHOWER WITH SILICONE 78474-01-000.

6. FOR CAN UNITS EACH HOLDING TANK SHALL HAVE A CSA APPROVAL STAMPED NEAR THE IAPMO APPROVAL.

5. EXPOSED PIPE ABOVE ROOF TO BE PAINTED 37163-01-000.

4. ALL EXTERIOR OPENINGS AROUND PIPE TO BE SEALED.

3. ALL PIPE AND FITTINGS TO BE ASSEMBLED WITH SOLVENT 4020-01-000.

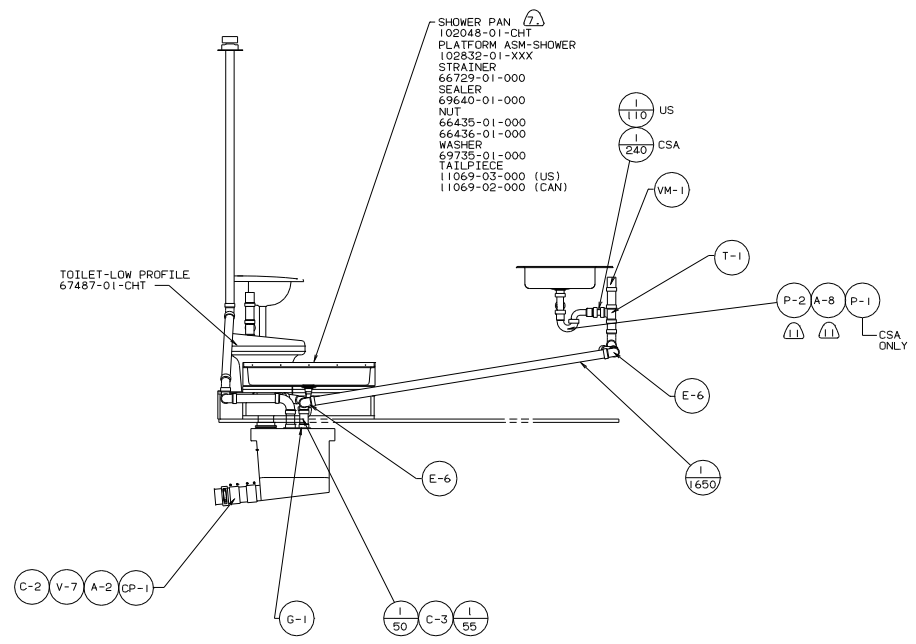
2. SLOPE OF TRAP ARM MUST BE 6 PER 305.

1. SLOPE OF HORIZONTAL PIPING TO BE 6 PER 305 MIN.

NOTES:

FOR DRAINAGE CALLOUTS SEE DWG NO. 116229-01-000

WINNEBAGO		94 D23RC
DATE	UNSPECIFIED TOLERANCES ARE	MATERIAL
CHGR	UNLESS OTHERWISE SPECIFIED	
DR	ONE PLACE IN 31	
FR	TWO PLACE IN 303	
FIN	THREE PLACE	
CON	THREE PLACE	
LAHRT NO. D23RC4	TITLE: DRAINAGE SYSTEM INSTL	
REV #	SCALE	NO.
1	1:1	1
ALL DIMENSIONS ARE IN MILLIMETERS	SHEET 1 OF 2	DWG NO. 113248



VIEW B-B

TITLE: DRAINAGE SYSTEM INSTL	
30 MET SCALE DRAWING	FIG NO 1
SHEET 2 OF 2	113248

WATER HEATER  
51391-01-000  
111129-01-000 (4)

DOOR  
78506-01-CHT  
AL EXTR  
2726-01-210  
(403)

2726-01-212 (2)  
(305)

SEALANT  
SCREW  
G39-10-209 (8)

TU-4 CH-1  
440 2

F-4

SCREW  
G66-08-12U (4)  
SEALANT  
LOCK ASM  
110506-02-000

TU-3 CH-2  
440 2

TANK ASM  
109606-04-000  
STRAP-RETAINING  
77220-08-000 (2)  
BOLT  
C10-05-25B (4)  
NUT  
D39-05-00B (4)

TU-7  
1750

TU-2  
1150

TU-2  
340

TU-7  
1090

TU-3  
1100

TU-7  
1700

TU-7  
410

T-20

T-20

VEHICLE

1150

DATUM

579

DATUM

0

FRONT AXLE

FILL-CITY WATER  
78505-02-CHT  
SCREW  
G68-06-10U (2)  
SEALANT

A-1  
2

FAUCET-LAVATORY  
109800-01-CHT

E-22  
2

FAUCET-GALLEY  
109799-01-CHT

TU-2  
660

E-20  
2

TU-2  
360

TU-7  
440

SH-1

SCREW  
G11-10-12S (4)

E-22  
2

FAUCET-SHOWER  
109801-01-CHT

PANEL-SHOWER FAUCET  
78498-01-CHT

SCREW  
G11-08-12U (4)

TU-7  
1320

TU-2  
1320

TU-2  
410

TU-7  
610

TU-2  
80

T-20

TU-2  
255

A-11

T-20

6. ADD CONNECTOR LINE WHEN WATER HEATER IS REMOVED WITH EUROPEAN EXPORT PACKAGE.
5. PRESSURE VALVE MUST BE BETWEEN THE WATER HEATER AND CHECK VALVE.
4. USE WITH EUROPEAN EXPORT PACKAGE.
3. ALL TUBING TO BE SECURED AT 1200 INTERVALS MAXIMUM WITH CLAMP 10495-01-000 OR CLIP 91951-01-000 AND SCREW G67-10-12B.
2. TUBING TO BE INSTALLED WITH SUFFICIENT SLOPE TO PROVIDE DRAINAGE TO NEAREST VALVE.
1. PLASTIC FITTINGS TO BE SEALED WITH SEALANT 84456-01-000.

NOTES:

X-X FOR WATER CALLOUTS SEE DWG NO. 116230-01-000

LEGEND	
HOT	—————
COLD	-----

**WINNERAGO** 95 D23RC

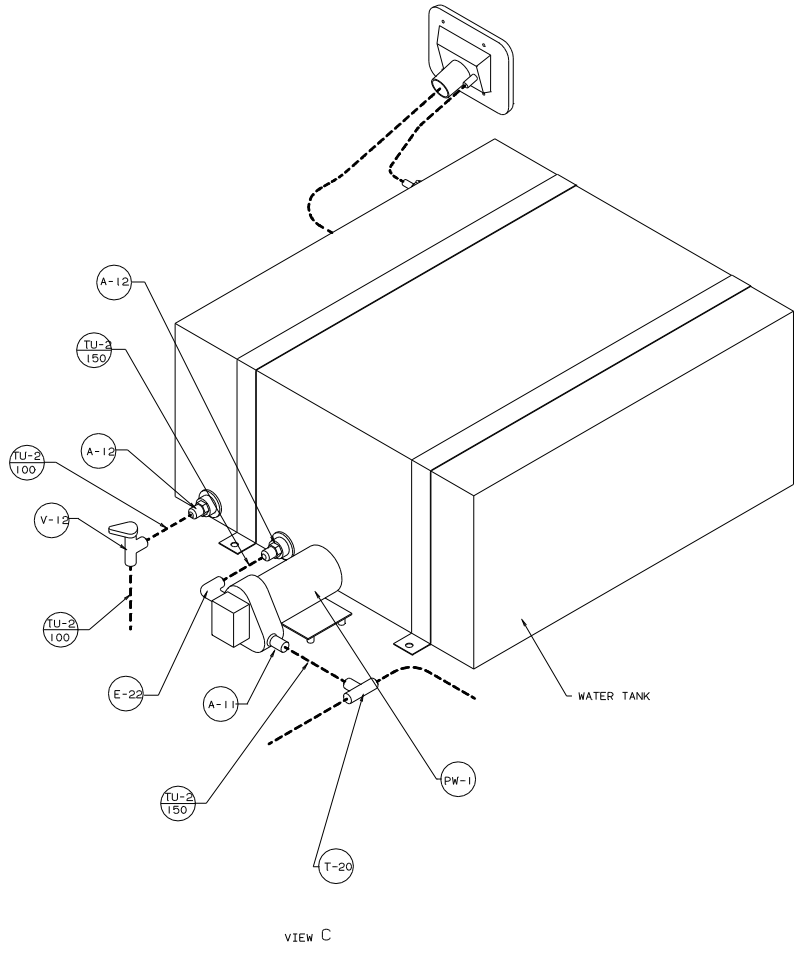
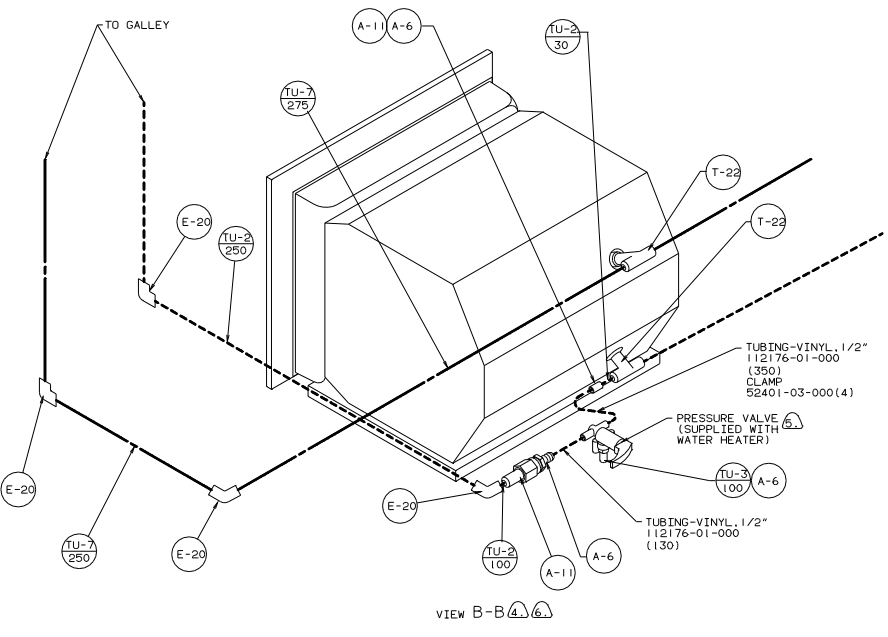
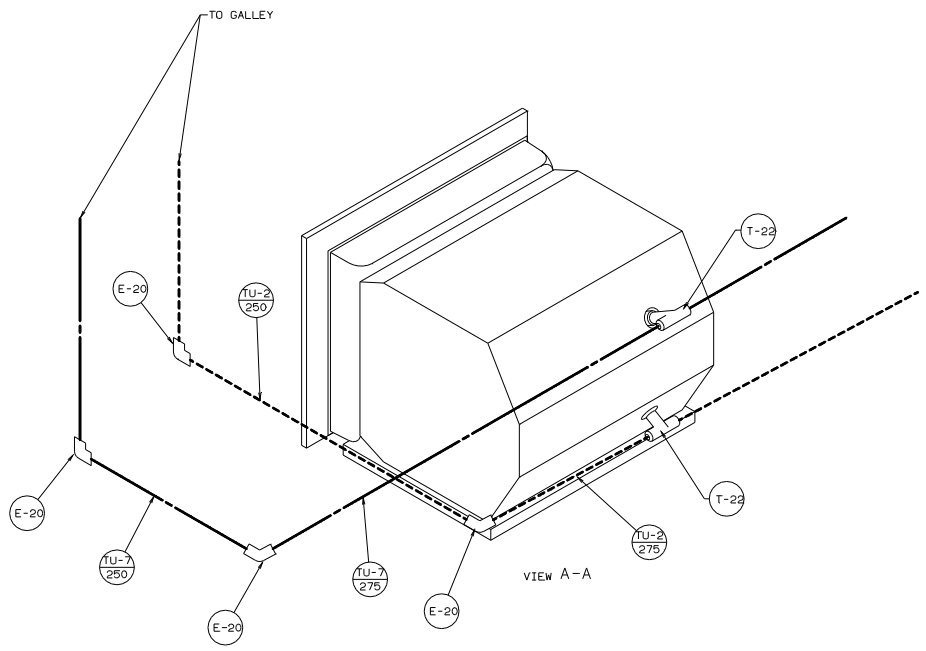
DATE	11/15/21	BY	
REV		ZONE	
REVISION		RECORD	
DATE		DO	
BY		OR	

LABOR NO. ----- TITLE: WATER SYSTEM INSTL

RD # SCALE NO. 30 NET SCALE DRAWING SHEET 1 OF 2

ALL DIMENSIONS ARE IN MILLIMETERS 1 1/2 IN

REF: 113250 115211



TITLE:		95 D23RC	
WATER SYSTEM INSTL			
30 NET SCALE DRAWING	SHEET 2 OF 2	REV 1	DATE
			115211