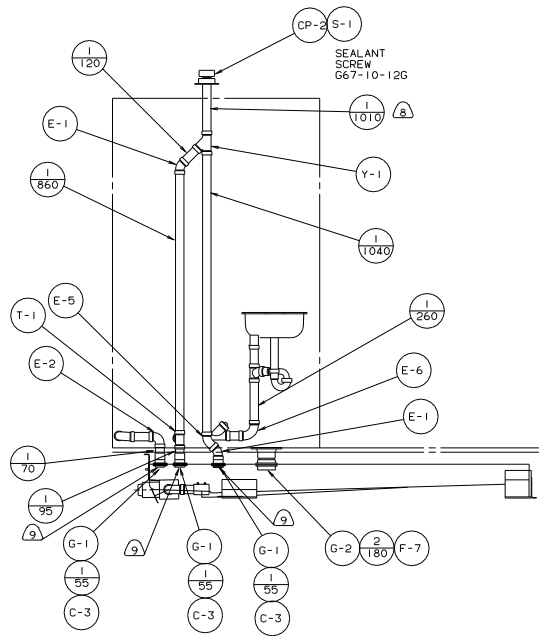
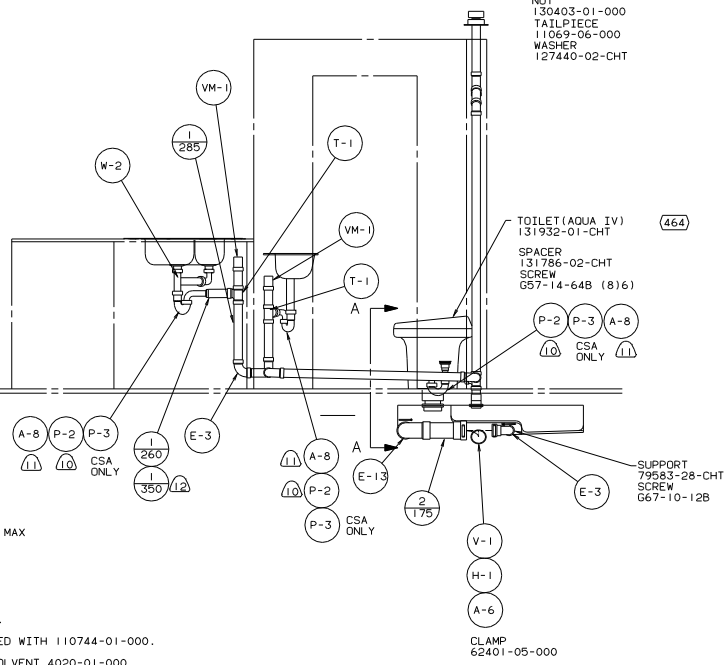


0  
FRONT AXLE

SHOWER INSTL-ENCLOSURE  
121478-01-000  
STRAINER  
66440-01-000  
SEALER  
69640-01-000  
NUT  
130403-01-000  
TAILPIECE  
11069-06-000  
WASHER  
127440-02-CHT

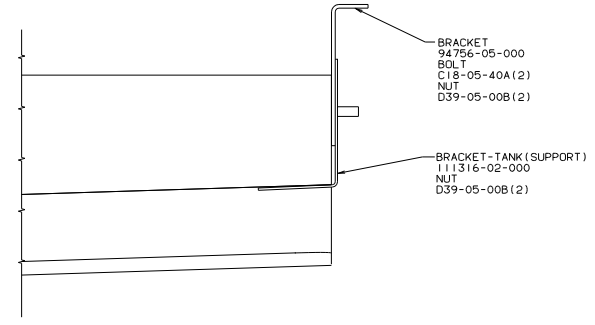


- 13 SECURE PIPES TO CABINET USING WIRE TIE 108046-02-000 AND SCREW 667-10-12U(8).
- 12 USE WITH CSA.
- 11 NOT USED ON CANADIAN UNITS.
- 10 TRIM P-TRAP TO FIT.
- 9 SECURE VENT TUBES TO FLOOR WITH BRACKET 95061-01-000 (2), CLAMP 62401-02-000, SCREW 667-10-12B (2).
- 8 VENT PIPE MUST PROJECT 51 MM MIN AND 63.5 MM MAX ABOVE ROOF FOR PROPER FIT AND FUNCTION.
- 7. SEE DWG 61607-01-000 FOR INSTL OF GROMMETS.
- 6. SEAL ALL AROUND SHOWER WITH SILICONE.
- 5. FOR CAN UNITS EACH HOLDING TANK SHALL HAVE A CSA APPROVAL STAMPED NEAR THE TANK APPROVAL.
- 4. ALL EXTERIOR OPENINGS AROUND PIPE TO BE SEALED WITH 110744-01-000.
- 3. ALL PIPE AND FITTINGS TO BE ASSEMBLED WITH SOLVENT 4020-01-000.
- 2. SLOPE OF TRAP ARM MUST BE 6 PER 305 MINIMUM.
- 1. SLOPE OF HORIZONTAL PIPING TO BE 6 PER 305 MINIMUM.

(464) TOILET

X-X FOR DRAINAGE CALLOUTS SEE DWG NO. 116229-01-000

WINNACO 96 431W0	
QTY	UNSPECIFIED TOLERANCES ARE:
CHRP	WHOLE DIM (3) ±
F/F	ONE-PLACE (19.3) ±
H/E	TWO-PLACE (19.3) ±
W/E	ANGLE
CONC	THIRD ANGLE PROJECTION
LANST NO. 431W06	TITLE: DRAINAGE SYSTEM INSTL
DWG NO. 116229-01-000	SHEET 1 OF 2
DATE	121394



VIEW A-A

TITLE:		DRAWING NO.	
DRAINAGE SYSTEM INSIL		121394	
30 NET SCALE DRAWING	FILE	ENG NO.	
SHEET 2 of 2	1 E		



