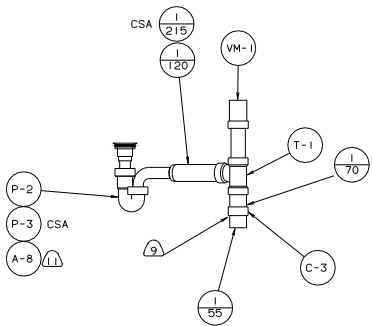
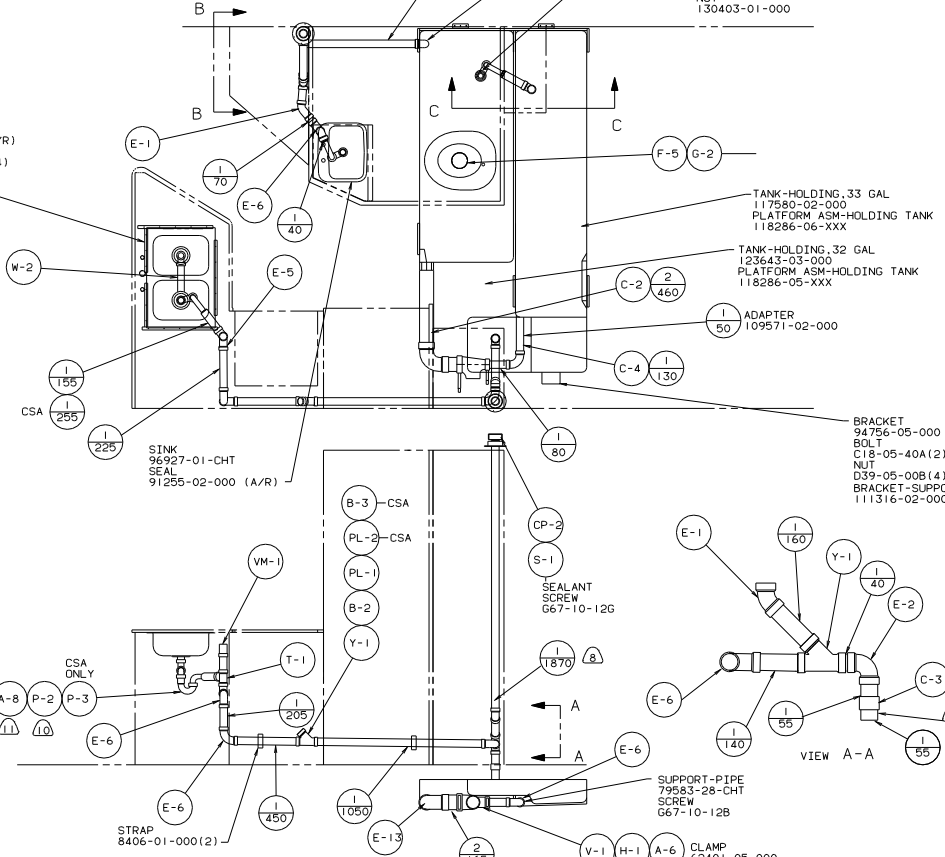


VIEW B-B



SINK  
104113-01-000  
STRAINER  
92303-01-000(2)  
SEAL  
91255-02-000 (A/R)  
RETAINER  
105497-01-000 (4)  
SCREW  
G67-06-10U(22)



VIEW C-C

VIEW A-A

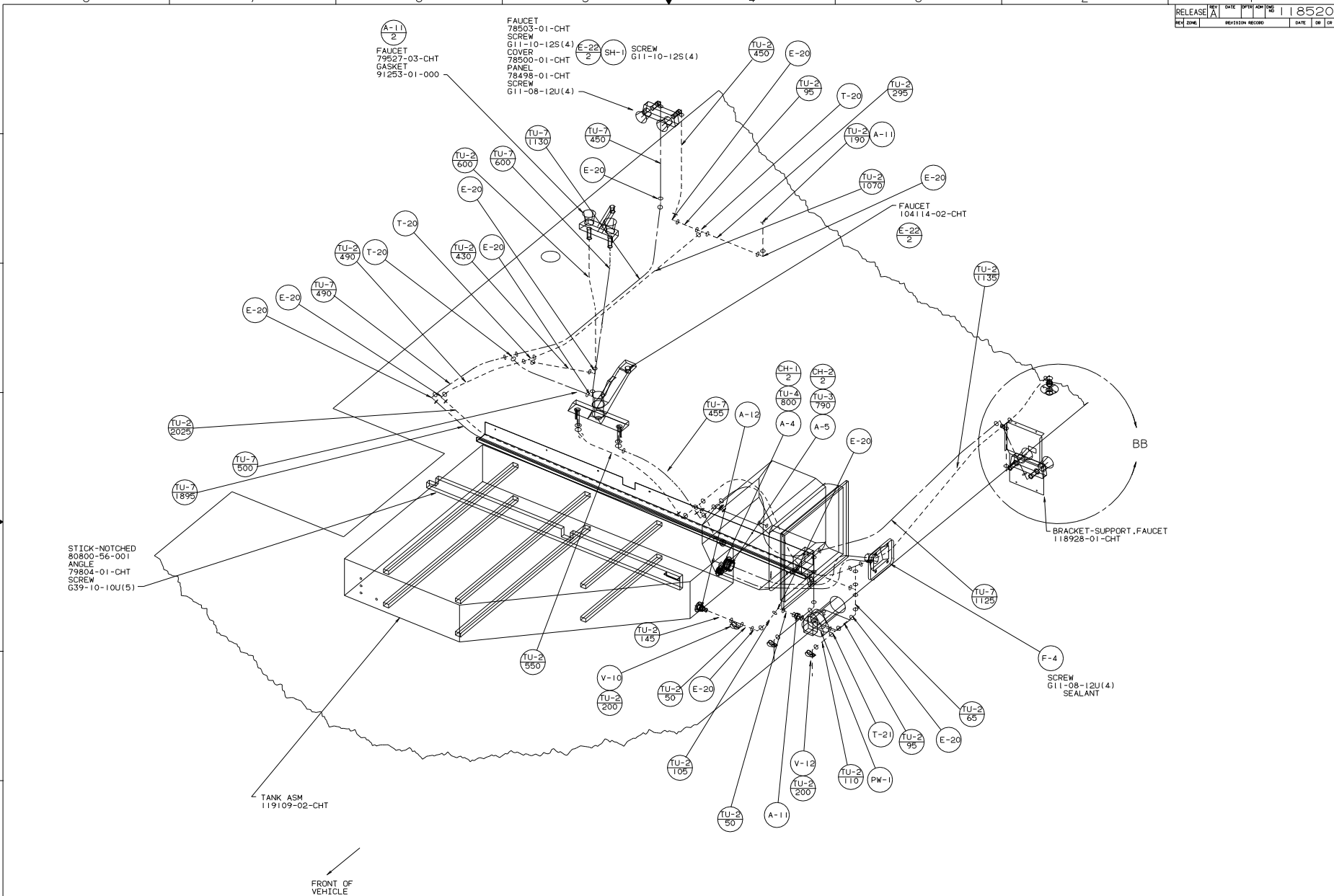
(X-X) FOR DRAINAGE CALLOUTS SEE DWG NO. 116229-01-000

- FOR CAN UNITS EACH HOLDING TANK SHALL HAVE A CSA APPROVAL STAMPED NEAR THE TANK APPROVAL.
- ALL EXTERIOR OPENINGS AROUND PIPE TO BE SEALED WITH 110744-01-000.
- ALL PIPE AND FITTINGS TO BE ASSEMBLED WITH SOLVENT 4020-01-000.
- SLOPE OF TRAP ARM MUST BE 6 PER 305.
- SLOPE OF HORIZONTAL PIPING TO BE 6 PER 305 MIN.
- SEAL ALL AROUND SHOWER WITH SILICONE.
- SEE DWG 61607-01-000 FOR INSTL OF GRONMETS.
- VENT PIPE MUST PROJECT 51 MM MIN AND 63.5 MM MAX ABOVE ROOF FOR PROPER FIT AND FUNCTION.
- TRIM P-TRAP TO FIT.
- SECURE VENT TUBES TO FLOOR WITH BRACKET 95061-01-000(2). CLAMP 62401-02-000.
- VENT PIPE MUST PROJECT 51 MM MIN AND 63.5 MM MAX ABOVE ROOF FOR PROPER FIT AND FUNCTION.

**WINNERACO** 96 429WU  
DRAWING TITLE: DRAINAGE SYSTEM INSTL  
LAWYER NO: 429WU6  
SCALE: 1/8" = 1'-0"  
SHEET: 1 OF 1  
DATE: 8/19/02

DATE	BY	DESCRIPTION

FOR DRAINAGE CALLOUTS SEE DWG NO. 116229-01-000



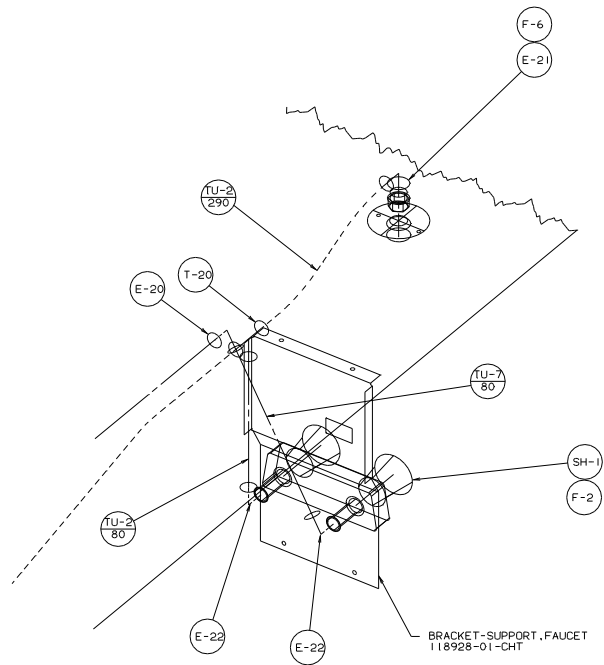
- ⑥ USE WITHOUT MOTOR AID.
  - ⑤ USE WITH EXTERIOR SHOWER.
  - ④ USE WITH MOTOR AID.
3. ALL TUBING TO BE SECURED AT 1200 INTERVALS MAX WITH CLAMP 10495-01-000 OR CLIP 91951-01-000 AND SCREW G67-10-12B.
2. TUBING TO BE INSTALLED WITH SUFFICIENT SLOPE TO PROVIDE DRAINAGE TO NEAREST VALVE.
1. PLASTIC FITTINGS TO BE SEALED WITH SEALANT 84456-01-000.

LEGEND	
HOT	—————
COLD	-----

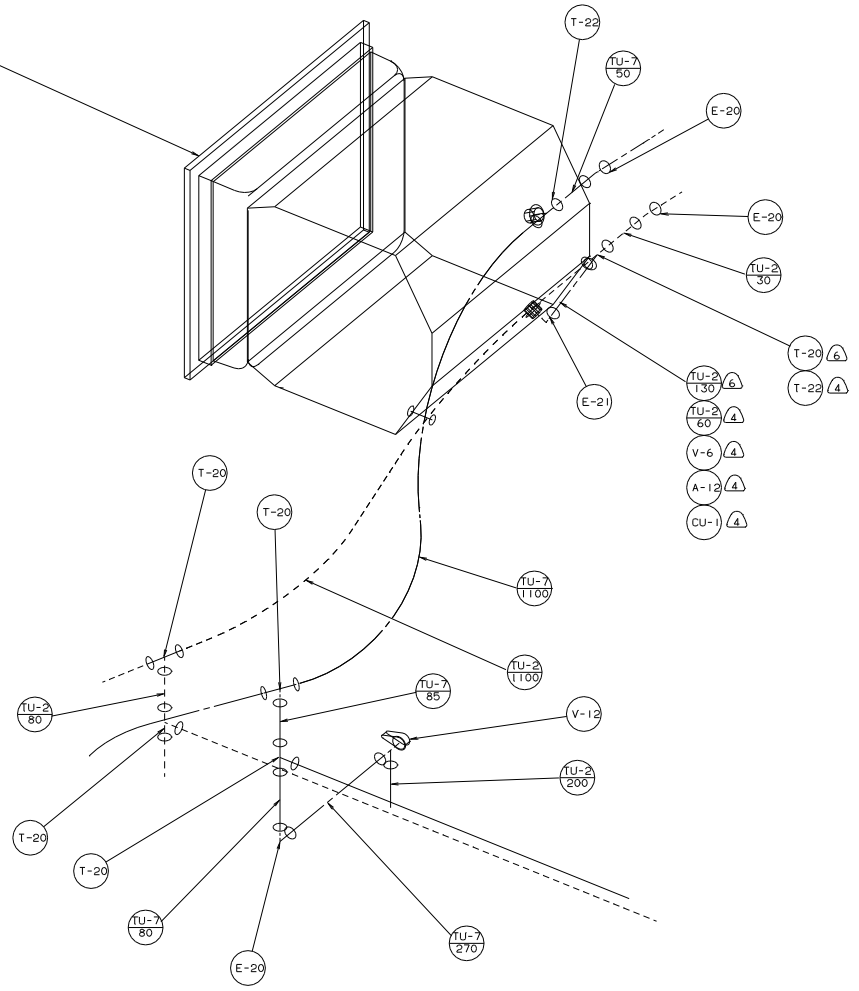
X-X FOR WATER CALLOUTS SEE DWG NO. 116230-01-000

<b>WINNEBAGO</b>		96 429WU
QTY IN	UNSPECIFIED TOLERANCES ARE	MATERIAL
CHRP	WHOLE DIM. (IN)	± .1
FIN	ONE-PLACE (IN .01)	.
FIN	TWO-PLACE (IN .001)	.
FIN	ANGLE	.
COND	TYPED ANGLE PROJECTION	☉
LARGE NO. 429WU6	TITLE: WATER SYSTEM INSTAL	118520
REV. 0 SCALE 0:2	30:1 NET SCALE DRAWING	SHEET 1 OF 2
ALL DIMENSIONS ARE IN MILLIMETERS	DATE	11/11/09

- WATER HEATER
- 51391-01-000
- (MANUAL IGNITION)
- 51391-02-000
- (ELECTRONIC IGNITION)
- 51391-03-000
- (W/MOTOR AID)
- DOOR
- 78506-01-CHT
- AL EXTR
- 2726-01-210
- 2726-01-212(2)
- SCREW
- G39-10-169(18)
- SEALANT



VIEW B-B



TITLE:		WATER SYSTEM INSTL	
30 NET SCALE DRAWING	REV	DATE	NO
SHEET 2 OF 2	1		118520