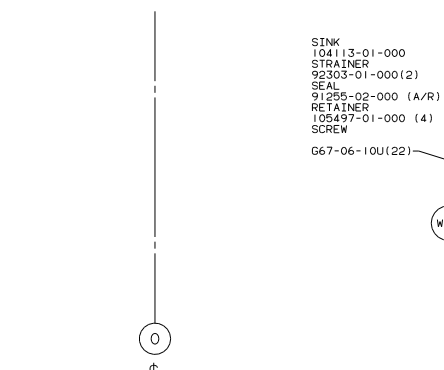
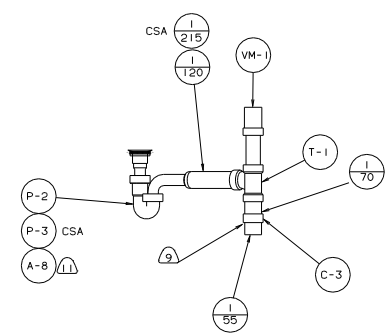


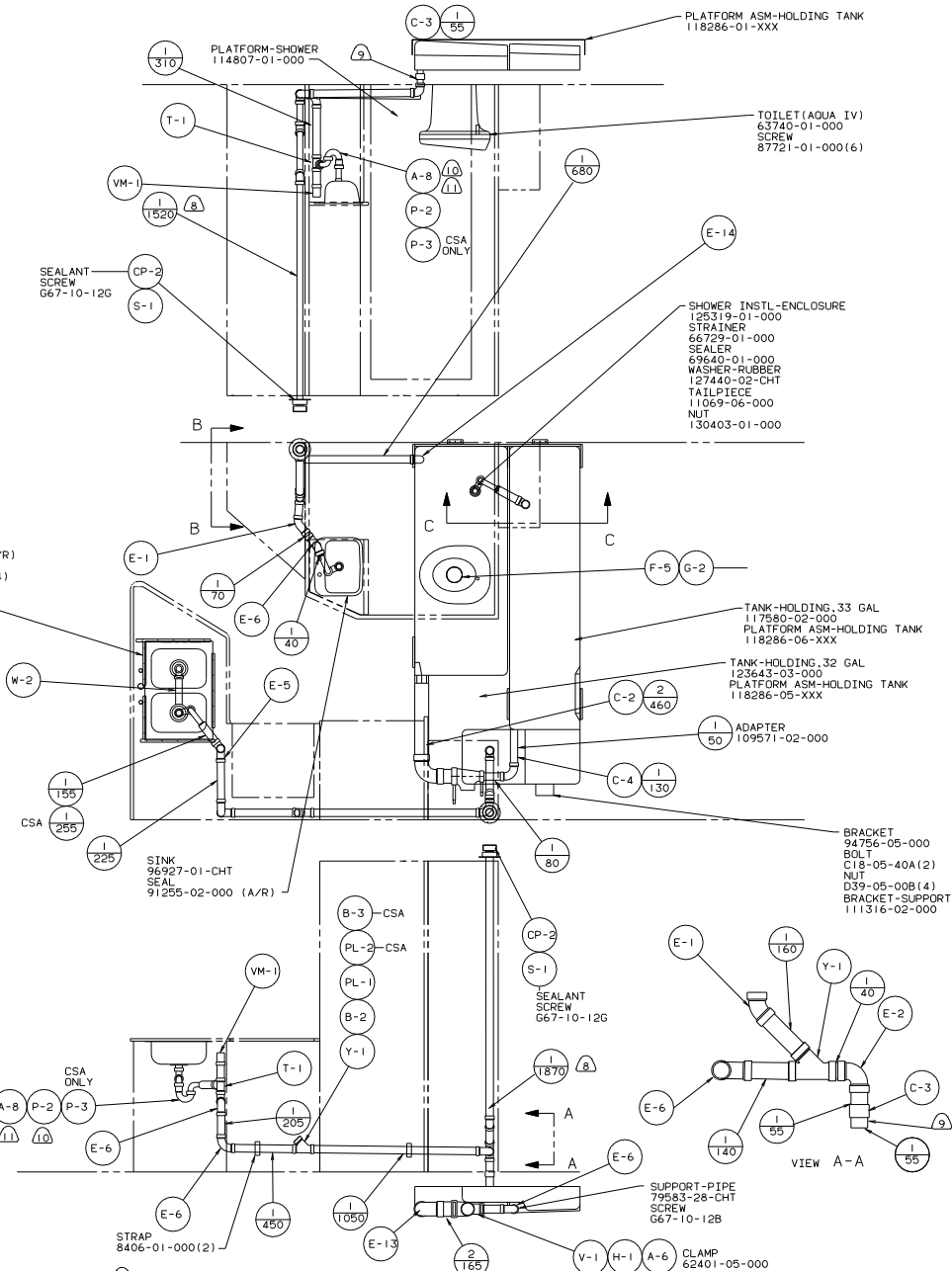
VIEW B-B



SINK
 104113-01-000
 STRAINER
 92303-01-000(2)
 SEAL
 91255-02-000 (A/R)
 RETAINER
 105497-01-000 (4)
 SCREW
 G67-06-10U(22)



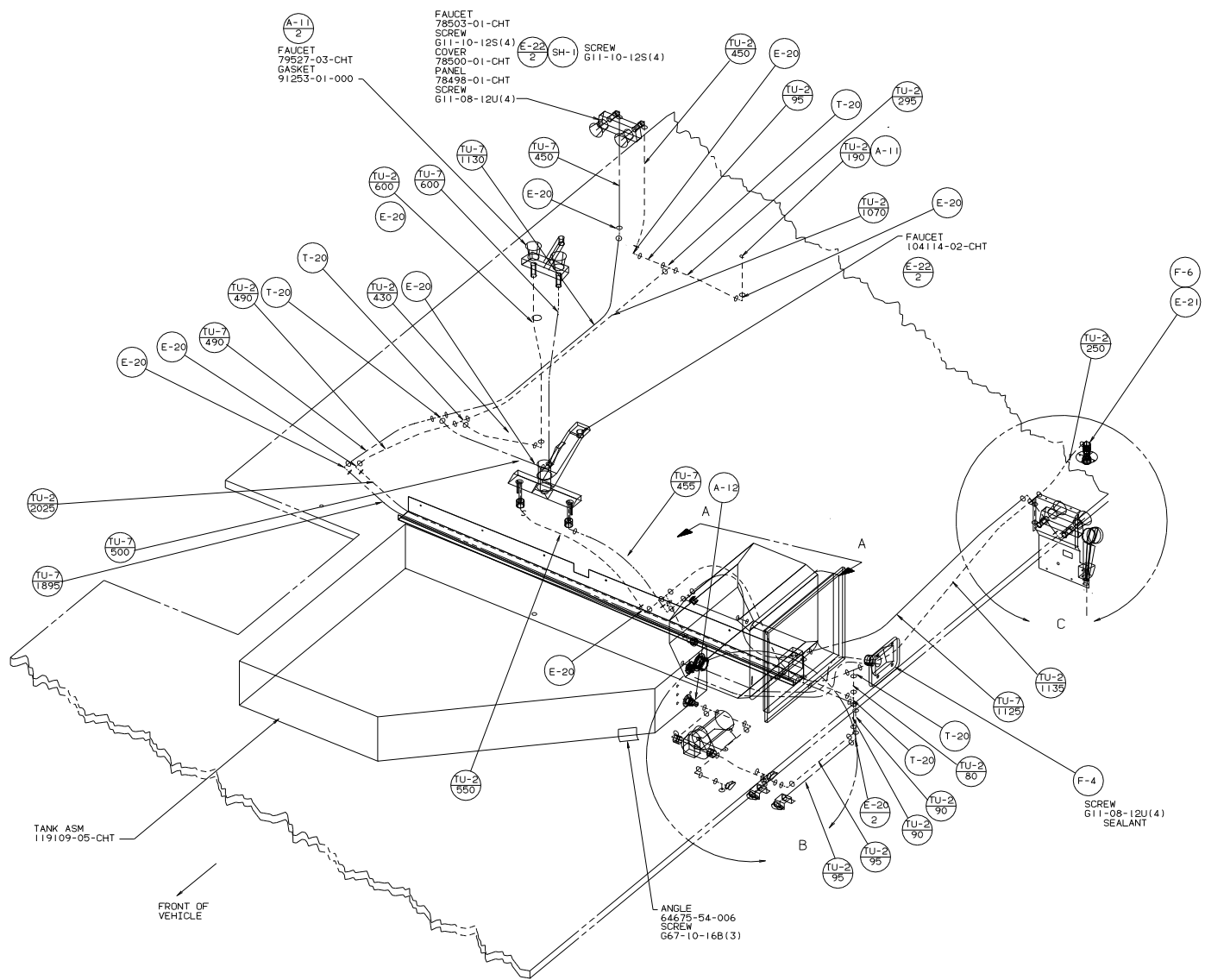
VIEW C-C



- FOR CAN UNITS EACH HOLDING TANK SHALL HAVE A CSA APPROVAL STAMPED NEAR THE IAMPO APPROVAL.
- ALL EXTERIOR OPENINGS AROUND PIPE TO BE SEALED WITH 110744-01-000.
- ALL PIPE AND FITTINGS TO BE ASSEMBLED WITH SOLVENT 4020-01-000.
- SLOPE OF TRAP ARM MUST BE 6 PER 305.
- SLOPE OF HORIZONTAL PIPING TO BE 6 PER 305 MIN.
- SEAL ALL AROUND SHOWER WITH SILICONE.
- SEE DWG 61607-01-000 FOR INSTL OF GRONNETS.
- TRIM P-TRAP TO FIT.
- SECURE VENT TUBES TO FLOOR WITH BRACKET 95061-01-000(2). CLAMP 62401-02-000.
- VENT PIPE MUST PROJECT 51 MM MIN AND 63.5 MM MAX ABOVE ROOF FOR PROPER FIT AND FUNCTION.
- NOT USED ON CANADIAN UNITS.

(X-X) FOR DRAINAGE CALLOUTS SEE DWG NO. 116229-01-000

WINNERACO		96 429WU
DRN	UNSPECIFIED TOLERANCES ARE:	MATERIAL:
CHP	WHOLE DIM (IN)	F
P/E	ONE-PLACE (IN, IN)	F
M/E	TWO-PLACE (IN, IN)	F
	M/M	F
	THRU WHOLE PROJECTION	F
LAND	429WU6	TITLE: DRAINAGE SYSTEM INSTL
DIA #	SCALE: 0/9	DO NOT SCALE DRAWING
ALL DIMENSIONS ARE IN MILLIMETERS	SHEET 1 OF 1	DATE 11/8/44



A-11
2
FAUCET
79527-03-CHT
GASKET
91253-01-000

FAUCET
78503-01-CHT
SCREW
G11-10-12S(4)
COVER
78500-01-CHT
SCREW
G11-10-12S(4)

E-22
2
SH-11

FAUCET
104114-02-CHT
E-22
2

SCREW
G11-08-12U(4)
SEALANT

ANGLE
64675-54-006
SCREW
G67-10-16B(3)

TANK ASM
119109-05-CHT

FRONT OF
VEHICLE

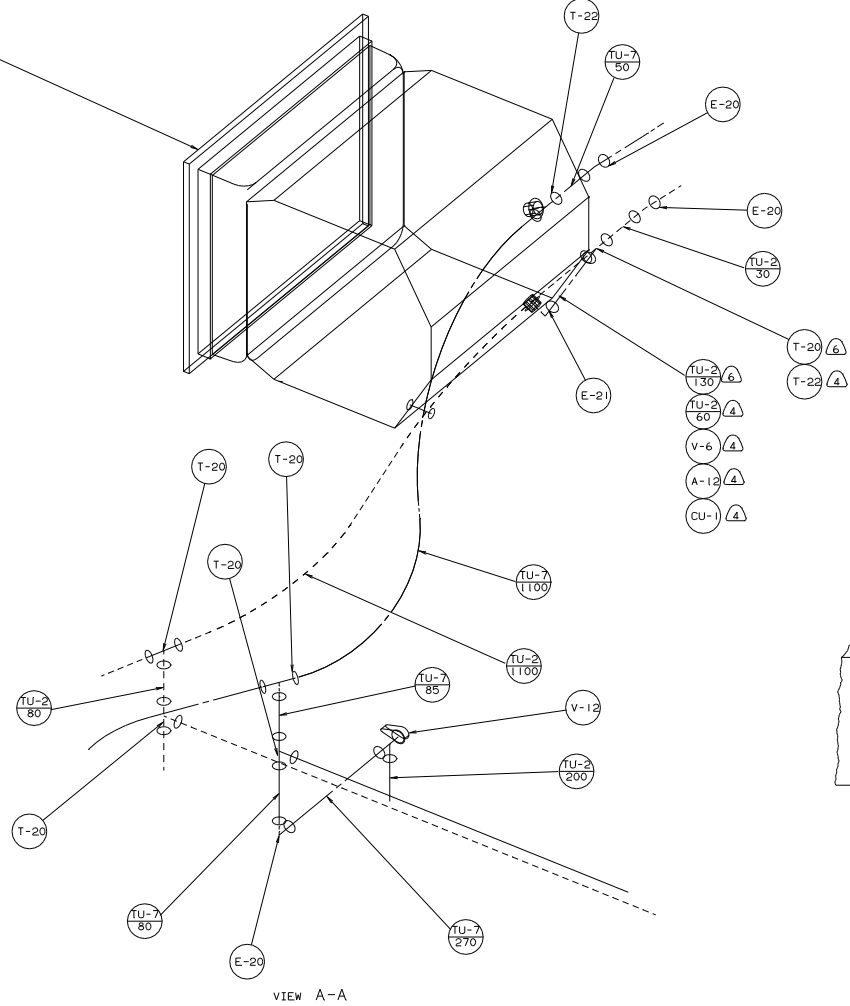
- NOTES:
- ① USE WITHOUT MOTOR AID.
 - ② USE WITH EXTERIOR SHOWER.
 - ③ USE WITH MOTOR AID.
 - 3. ALL TUBING TO BE SECURED AT 1200 INTERVALS MAX WITH CLAMP 10495-01-000 OR CLIP 91951-01-000 AND SCREW G67-10-12B.
 - 2. TUBING TO BE INSTALLED WITH SUFFICIENT SLOPE TO PROVIDE DRAINAGE TO NEAREST VALVE.
 - 1. PLASTIC FITTINGS TO BE SEALED WITH SEALANT 84456-01-000.

X-X FOR WATER CALLOUTS SEE DWG NO 116230-01-000

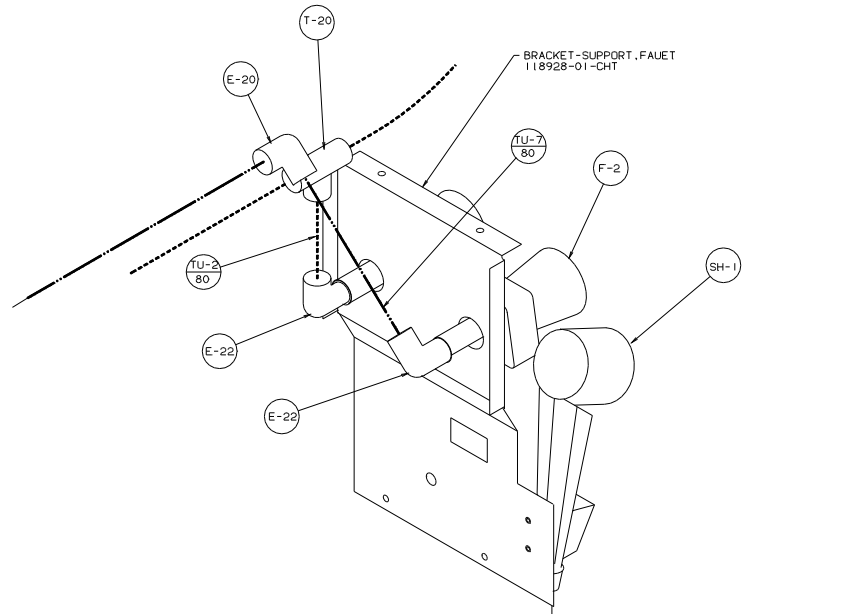
LEGEND	
HOT	—————
COLD	-----

WINNEBAGO		96 429WU HDC
DPTH	UNSPECIFIED TOLERANCES ARE	MATERIAL
CHDR	WHOLE DIM (X1)	+
P.E	FRACTIONAL DIM (X1)	+
FIN E	FINISH	
CONV	THIRD ANGLE PROJECTION	③
FORM 429WU	TITLE	
NO	SCALE 0 2	WATER SYSTEM INSTL
ALL DIMENSIONS ARE IN MILLIMETERS	SHEET 1 OF 2	DWG NO 121870
REF 118520 F 1		

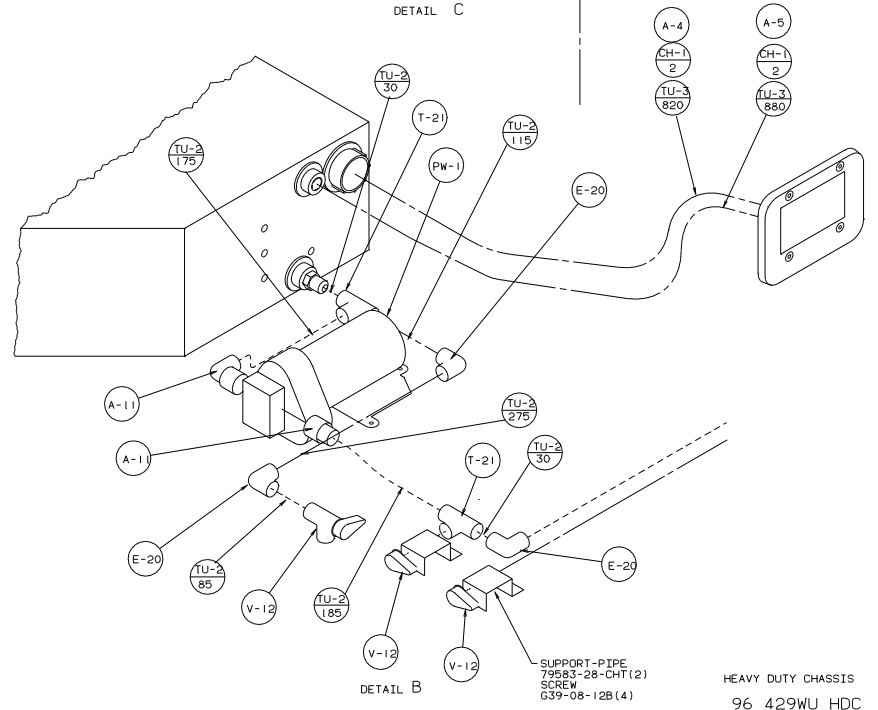
WATER HEATER
 51391-01-000
 (MANUAL IGNITION)
 51391-02-000
 (ELECTRONIC IGNITION)
 51391-03-000
 (W/MOTOR AID)
 DOOR
 78506-01-CHT
 AL EXTR
 2726-01-210
 2726-01-212(2)
 SCREW
 G39-10-169(18)
 SEALANT



VIEW A-A



DETAIL C



DETAIL B

SUPPORT-PIPE
 79583-28-CHT(2)
 SCREW
 G39-08-12B(4)

HEAVY DUTY CHASSIS
 96 429WU HDC

TITLE		WATER SYSTEM INSTL	
30 NET SCALE DRAWING	SIZE	DATE	121870
SHEET 2 OF 2	1 E		